

ODYSSEY | ESTEEM | QWEST | ACCOLADE



ENTEGRACOACH®

2020

CLASS C

2020 ENTEGRA COACH CLASS C



YOUR VOYAGE
BEGINS HERE



ODYSSEY PG 3-4

ESTEEM PG 5-6



QWEST PG 7-8

ACCOLADE PG 9-10

ODYSSEY



TOP FEATURES

- Automotive-Bonded Panoramic Front Windshield
- Undermount Stainless Steel Sinks
- Front Overhead Bunk Rated 750lb. Capacity
- Stainless Appliance Package



FLOORPLANS



Floorplan	GVWR (lbs.)	GCWR (lbs.)	Wheel Base	Overall Length	Exterior Height w/ A/C	Exterior Width	Interior Height	Fresh Water Capacity (gal.)	Grey Waste Water Capacity (gal.)	Black Waste Water Capacity (gal.)	Propane (gal.)
24B	14,500	22,000	181"	26' 8"	11' 8"	100"	84"	42.5	40	31	12.2
25R	14,500	22,000	181"	28' 8"	11' 8"	100"	84"	47	41	32	12.2
26D	14,500	22,000	181"	28' 8"	11' 8"	100"	84"	42.5	41	32	12.2
29K	14,500	22,000	223"	32' 6"	11' 8"	100"	84"	43.5	41	32	12.2
29V	14,500	22,000	223"	32' 6"	11' 8"	100"	84"	47	41	32	12.2
30Z	14,500	22,000	223"	32' 6"	11' 8"	100"	84"	43.5	41	31	12.2
31F	14,500	22,000	223"	32' 6"	11' 8"	100"	84"	47	41	31	12.2

EXTERIOR OPTIONS



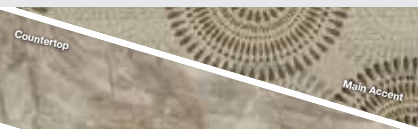
STANDARD GRAPHICS



ONYX PARTIAL PAINT

INTERIOR DÉCOR

ROCKPORT



WOOD



HUDSON ELM

ESTEEM



TOP FEATURES

- Raised-Panel Cabinetry
- Stainless Appliance Package
- Large Kitchen with Ample Countertop Space
- Solid-Surface Countertops



FLOORPLANS



27U



29V



30X



31F

STANDARD PARTIAL PAINT



SAFFRON

Floorplan	GVWR (lbs.)	GCWR (lbs.)	Wheel Base	Overall Length	Exterior Height w/ A/C	Exterior Width	Interior Height	Fresh Water Capacity (gal.)	Grey Waste Water Capacity (gal.)	Black Waste Water Capacity (gal.)	Propane (gal.)
27U	14,500	22,000	195"	29' 11"	11' 8"	100"	84"	42.5	41	31	16.5
29V	14,500	22,000	223"	32' 6"	11' 8"	100"	84"	47	41	32	16.5
30X	14,500	22,000	223"	32' 6"	11' 8"	100"	84"	47	41	31	16.5
31F	14,500	22,000	223"	32' 6"	11' 8"	100"	84"	47	41	31	16.5

EXTERIOR FULL BODY PAINT



CAREFREE



CHAMPAGNE



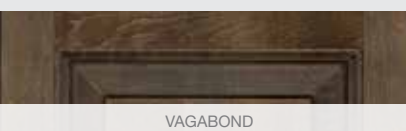
VOYAGE

INTERIOR DÉCOR

BELMONT



WOOD



VAGABOND

QWEST

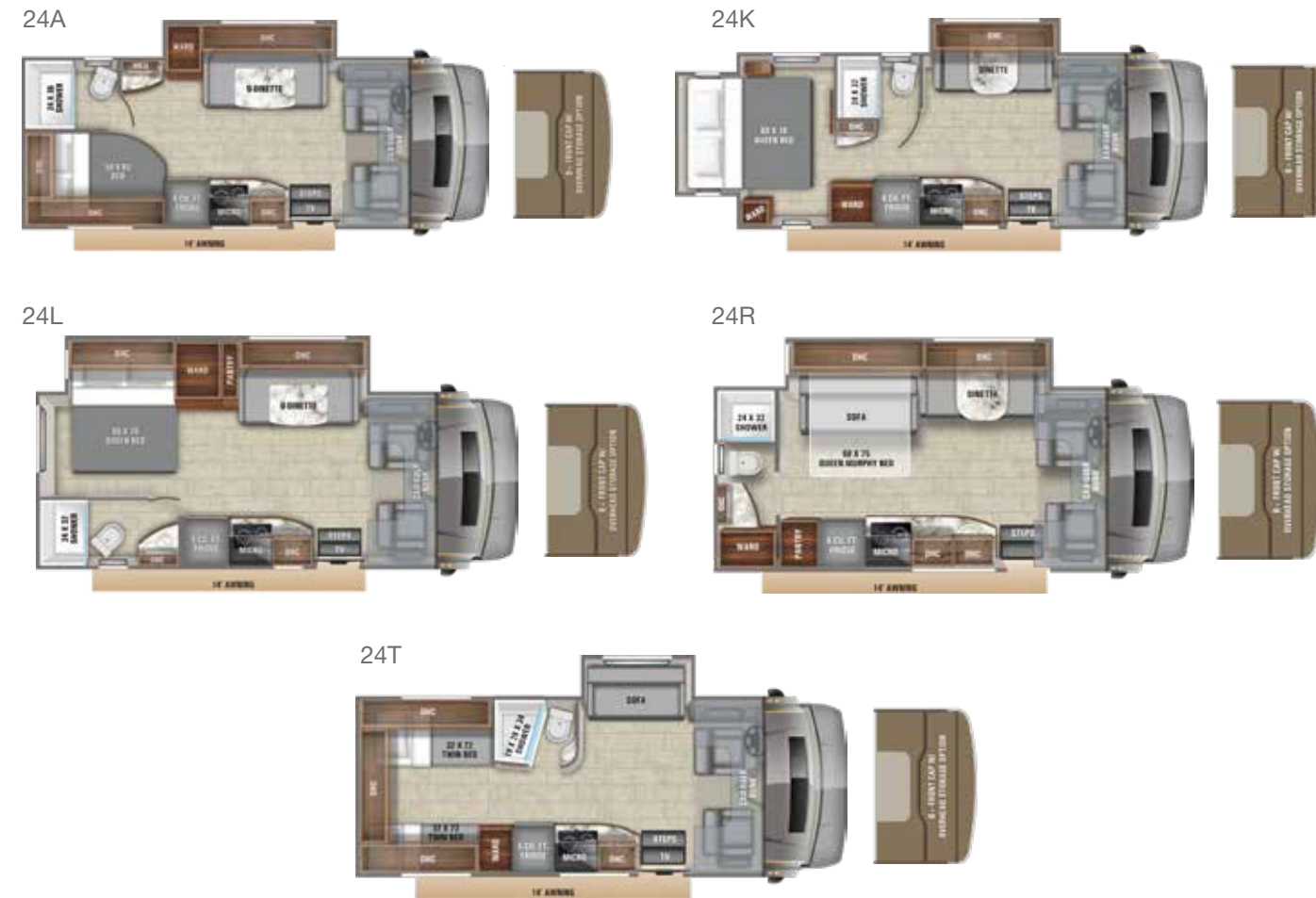


TOP FEATURES

- Luxury Woven Vinyl Flooring
- High-Gloss, European-Style Curved Cabinetry
- 3-Way (Gas/Electric/12V) Refrigerator
- Stainless Convection Microwave

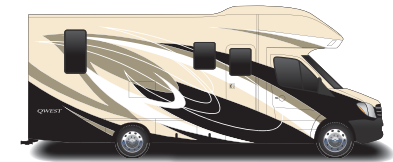


FLOORPLANS



Floorplan	GVWR (lbs.)	GCWR (lbs.)	Wheel Base	Overall Length	Exterior Height w/ A/C	Exterior Width	Interior Height	Fresh Water Capacity (gal.)	Grey Waste Water Capacity (gal.)	Black Waste Water Capacity (gal.)	Propane (gal.)
24A	11,030	15,250	170"	25' 2"	10' 11"	96"	80"	39	31	31	12.2
24K	11,030	15,250	170"	25' 2"	10' 11"	96"	80"	43	31	31	12.2
24L	11,030	15,250	170"	25' 2"	10' 11"	96"	80"	43	31	31	12.2
24R	11,030	15,250	170"	25' 2"	10' 11"	96"	80"	35	31	31	12.2
24T	11,030	15,250	170"	25' 2"	10' 11"	96"	80"	43	31	31	12.2

EXTERIOR FULL BODY PAINT



CLIFFCREST

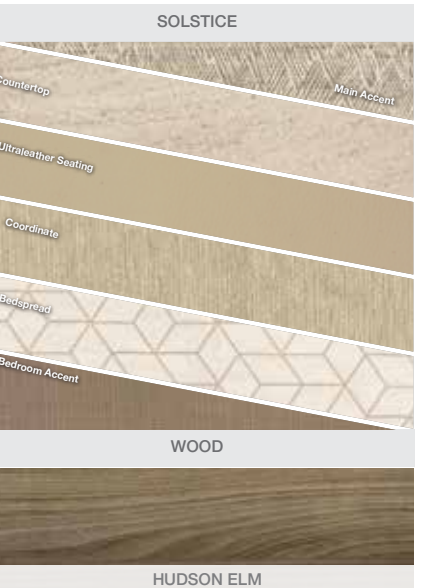


ESCAPE



SKYWATCH

INTERIOR DÉCOR



WOOD

HUDSON ELM

ACCOLADE



TOP FEATURES

- Entertainment Center with 40" Fireplace
- Solid-Surface Countertops Throughout
- 21 cu. ft. Residential Refrigerator
- Firefly Vegatouch System



FLOORPLANS

37K 37HJ

37RB 37TS

37L

EXTERIOR FULL BODY PAINT

Cobalt Crimson

Fawn Slate

Floorplan	GVWR (lbs.)	GCWR (lbs.)	Front GAWR (lbs.)	Rear GAWR (lbs.)	Wheel Base	Overall Length	Exterior Height w/ A/C & Satellite	Exterior Width	Interior Height	Fresh Water Capacity (gal.)	Grey Waste Water Capacity (gal.)	Black Waste Water Capacity (gal.)
37K	29,000	41,000	10,000	19,000	279"	39' 4"	13' 4"	101"	84"	72	51/40	40/23
37HJ	29,000	41,000	10,000	19,000	279"	39' 4"	13' 4"	101"	84"	72	40	33
37RB	29,000	41,000	10,000	19,000	279"	39' 4"	13' 4"	101"	84"	72	40/40	33/23
37TS	29,000	41,000	10,000	19,000	279"	39' 4"	13' 4"	101"	84"	72	40	50
37L	29,000	41,000	10,000	19,000	279"	39' 4"	13' 4"	101"	84"	72	50/31	50

INTERIOR DÉCOR

HAMPTON

WINDSOR

WOOD

VAGABOND

ODYSSEY STANDARDS & OPTIONS

CUSTOMER VALUE PACKAGE

E-Z DRIVE: Computer-balanced driveshaft, standard front and rear stabilizer bars, Hellwig helper springs, rubber isolation body mounts
Soundstream Infotainment Dash Radio with GPS and CD/DVD Player
One-piece seamless fiberglass front cap with automotive-bonded panoramic front windshield
12V LED lit electric patio awning
Black holding tank sprayer
Rear back-up camera and monitor
Heated holding tanks (12V pads)
8 cu. ft. flush-mount, double-door refrigerator
32" LED HDTV

STANDARD DRIVING EQUIPMENT

Ford E-450 chassis
Triton 6.8L EFI V-10 305 HP engine with 420 lbs./ft. torque
6-speed automatic TorqShift® series transmission with overdrive
14,500-lb. GVWR
22,000-lb. GCWR
7,500-lb. hitch with 750-lb. tongue capacity and 7-pin plug
120-amp alternator
55-gal. fuel tank
Driver and passenger air bags
Power anti-lock brakes with power steering
Tilt steering wheel
Auxiliary start switch
A/C and cruise control
Remote-controlled, sideview mirrors
Power windows and door locks
Third brake light

STANDARD EXTERIOR EQUIPMENT

TuffShell™ vacuum-bonded, laminated floor, sidewalls and roof
Bead-foam insulation (R-15 max roof, R-9 max floor, R-5 max walls)
Aluminum running boards
Fiberglass, radius-cornered entrance door with screen door
Electric-powered entrance step with integrated house battery compartment
High-output, marine-grade exterior speakers (2)
Pass-through storage compartment with light (select models)
Onan 4,000-watt MicroQuiet generator
42-lb. propane tank (12.2 gal.)
120V G.F.C.I.-protected exterior receptacle

12V electrical system with 120V, 60-amp power converter
30-amp power cord
Outside shower
4" bumper-tube sewer hose storage
Roof ladder
Leveling jack prep
One-piece seamless fiberglass roof

STANDARD INTERIOR EQUIPMENT

84" ceiling height
Ball-bearing drawer guides
Furrion all-in-one cooktop and oven
Convection microwave
Pop-up charging station with 110 outlets and USB ports
Under mount kitchen sink with cutting board sink cover
Interior entrance door grab handle
12V demand water pump
6-gal. gas/electric DSI auto-ignition water heater
Water filtration system
Entegra-exclusive easy operation legless dinette table (N/A 24B and 29K)
Lap safety belts on all designated living area seats
Linoleum flooring
Interior command center
Cable TV hookup with RG-6 coax
Digital antenna with signal booster
15,000-BTU ducted air conditioner
30,000-BTU furnace with wall thermostat with auto-ignition
Shower with decorative surround and glass shower door
Removable clothing rod in shower
Skylight in shower
Porcelain toilet with foot flush
Queen-size bed with bedspread
Under-bed storage (select models)
Large wardrobes
Full cab-over bunk with headboard (750-lb. rating)
Bunk beds (300-lb. rating) (31F)

OPTIONS

Hydraulic leveling jacks
Bedroom TV
Theater seating (NA 24B, 31F)
(2) 24" LED TV's in bunk area (31F)
Onyx partial paint

ESTEEM STANDARDS & OPTIONS

CUSTOMER VALUE PACKAGE

E-Z DRIVE ELITE: Computer-balanced driveshaft, Koni FSD shocks, heavy-duty rear stabilizer bar, standard front stabilizer bar, Hellwig helper springs, rubber isolation mounts
One-piece seamless front cap with automotive-bonded panoramic front windshield
Sony Infotainment Dash Radio with GPS
Automatic hydraulic leveling jacks
Chrome, remote-controlled and heated mirrors
Backup and side-view cameras
Frameless windows
1000-watt inverter
Electric awning with LED lights
Exterior 32" LED TV
24" LED TV in bedroom
LED lit solid-surface kitchen countertops with sink covers

STANDARD DRIVING EQUIPMENT

Ford® E-450 chassis
Triton® 6.8L EFI V-10 305HP engine with 420-lb./ft. torque
6-speed automatic TorqShift series transmission with overdrive
14,500-lb. GVWR
22,000-lb. GCWR
7,500-lb. hitch with 750-lb. tongue capacity and 7-pin plug
55-gal. fuel tank
120-amp alternator
Driver and passenger air bags
Power anti-lock brakes with power steering
Tilt steering wheel
Auxiliary start switch
A/C and cruise control
Power windows and door locks
Wheel liners
Custom dash applique

STANDARD EXTERIOR EQUIPMENT

TuffShell™ vacuum-bonded, laminated floor, sidewalls and roof
White fiberglass exterior with vinyl graphics and partial paint
Bead-foam insulation (R-24 max roof, R-9 max floor, R-5 max walls)
One-piece seamless fiberglass roof
Fiberglass, radius-cornered entrance door with large window
Electric-powered entrance step with integrated house battery compartment
Fiberglass running boards and transition wings

LED tail lights
Third brake light
Locking exterior storage compartments
120V GFCI-protected exterior receptacle
12V electrical system with 120V, 60-amp power converter
Illuminated battery disconnect switch
30-amp power cord
High-output, marine grade exterior speakers (2)
Onan® 4,000-watt MicroQuiet™ generator with auto-changeover
12V house battery
56-lb. propane tank (16.5 gal.)
Black tank sprayer
Outside shower
4" bumper-tube with sewer hose storage
Heated holding tanks (12V pads)

STANDARD INTERIOR EQUIPMENT

Raised-panel cabinetry
LED lit fascia with decorative accent
8 cu. ft., flush-mount, double-door refrigerator
Furrion® all-in-one stainless cooktop and oven
Residential microwave
Stainless steel sink in kitchen with solid surface sink covers
Pop up charging station with 110 outlets and USB ports
12V demand water pump
6-gal. gas/electric DSI auto-ignition water heater
Interior command center
15,000-BTU A/C with heat pump
30,000-BTU auto-ignition furnace with wall thermostat
Light in wardrobe
Water filtration system
Entegra-exclusive easy operation legless dinette table
Vinyl flooring throughout
Lap safety belts on all designated living area seats
High-intensity, recessed LED ceiling lights
Black out night roller shades
Cable TV hookup with RG-6 coax
Satellite dish prep
Stainless steel sink in bathroom
Porcelain toilet with foot flush
Shower with decorative surround and glass shower door
Skylight in shower
Queen-size bed with bedspread
Under-bed storage (select models)
24" LED TV in bedroom
Fan-Tastic Fan in bedroom
Full cab-over bunk (750-lb. rating)

OPTIONS

Carefree full body paint
Voyage full body paint
Champagne full body paint
Theater seating (29V)
(2) 24" LED TV's in bunk area with CD/DVD players (31F Only)
12 cu.ft. refrigerator
(2) 11,000-BTU A/Cs with engery management system
Aluminum rims

QWEST STANDARDS & OPTIONS

CUSTOMER VALUE PACKAGE

One-piece seamless front cap with automotive-bonded panoramic front windshield
Automatic electric stabilizer jacks
Remote control and heated mirrors
Backup camera with monitor
12V tank heating pads
Frameless windows
Girard® armless electric patio awning with LED light strip
Swivel driver and passenger seats
Keyless cab entry

STANDARD DRIVING EQUIPMENT

Mercedes 3500 chassis 170" wheelbase
V-6 Turbo 188 HP diesel engine with electronic fuel injection and 325-lb./ft. torque
7-speed automatic transmission
11,030-lb. GVWR chassis
7-pin trailer hitch plug
5,000-lb. rear hitch receiver with dual connector
220-amp alternator
Front and rear disc, 4-wheel anti-lock brakes
Ultra leather® driver passenger seats
12V chassis battery
Cab area privacy curtain

STANDARD EXTERIOR EQUIPMENT

Full-body paint
One-piece fiberglass roof
Electric-powered, single-entrance step
Flush-mount LED marker lights
Third brake light
Aluminum skirt-hung baggage doors
110V GFCI exterior receptacles
1,000-watt inverter
Battery disconnect
30-amp detachable electrical service cord
60-amp 12V converter
3.6 KW Onan® LP generator
(2) 12V house batteries

42-lb. propane tank (12.2 gal.)
Black tank sprayer
Outside shower
LP quick-connect hookup
Aluminum rims

STANDARD INTERIOR EQUIPMENT

Soft-touch vinyl ceiling
Ball-bearing drawer guides
Tecnoform® high-gloss cabinetry
6 cu. ft. gas/electric/12 volt refrigerator
Suburban black 2-burner drop-in cooktop with flush cover
Stainless convection microwave
Stainless steel sink
Wooden sink cover/cutting board
12V demand water pump
6-gal. gas/electric water heater and water heater bypass
Digital antenna with signal booster
15,000-BTU low-profile air conditioner
Auto-ignition 20,000-BTU ducted furnace
Water filtration system
12V USB charging station
Entegra-exclusive easy operation legless dinette table (24K)
U-shaped dinette with stow away pedestal legs (24L, 24A)
Lap safety belts on all designated living area seats
Woven Vinyl Flooring
High-intensity LED ceiling lights
Day/Night roller shades
Vent fan in living room
32" LED living room TV
Cable TV hookup with RG-6 coax
Satellite dish prep
Porcelain toilet
Shower skylight
Bathroom electric roof vent
Queen-size bed with bedspread
Bedroom TV Prep
Cab-over bunk (750-lb. rating)

OPTIONS

Sun folding windshield shade
3.2 KW diesel generator
B-Plus front cap
4-point hydraulic leveling jacks
Cliffcrest full body paint
Skywatch full body paint
Escape full body paint

ACCOLADE STANDARDS & OPTIONS

CUSTOMER VALUE PACKAGE

E-Z DRIVE PREMIER: Computer-balanced drive shaft, rear air suspension, heavy-duty rear stabilizer bar, full air brakes, SACHS Shocks
One-piece seamless front cap with automotive-bonded panoramic front windshield
Backup and side-view cameras with monitor
Dual-pane, frameless, tinted, safety-glass windows
15,000-BTU A/C with heat pump and 13,500-BTU A/C
2,000-watt pure sine inverter
Electric power cord reel with 50-amp service
12V electric awning with LED lights
21 cu.ft. residential refrigerator
Convection microwave
10-gal. gas/electric water heater

STANDARD DRIVING EQUIPMENT

Freightliner S2RV chassis
Cummins ISB 6.7L 360 HP diesel engine
Allison 3000 MH automatic transmission
29,000-lb. GVWR
41,000-lb. GCWR
12,000-lb. hitch with 1,200-lb. tongue capacity and 7-pin plug
100-gal. fuel capacity
Ultra leather driver and passenger seats
Dual chassis batteries
Alcoa® aluminum rims
Michelin 275/80R 22.5" tires
Engine VGT brake
Auxiliary start switch
Deluxe heated, remote-control, sideview mirrors
Sun folding windshield shade

STANDARD EXTERIOR EQUIPMENT

High-gloss, Gelcoat vacuum bonded, laminated sidewalls, crowned roof and floor
Deluxe full body paint with Diamond shield
Bead-foam insulation (R-24 max roof, R-9 max floor and R-8 max walls)
Fiberglass entrance door with oversized frameless window
Keyless entry, touchpad locking system
Electric-powered entrance step
Slideout awning toppers
Exterior entertainment center with AM/FM/CD/DVD player and 39" LED TV and 2 speakers
Onan® 8,000-watt Quiet Diesel generator and auto-gen start
56-lb. propane tank (16.5 gal.)
Black holding tank sprayer
Outside shower

Hydraulic automatic-leveling jacks
Winegard® In-motion satellite dish
Thetford Sani-Con Turbo macerator system
LP quick-connect hookup

STANDARD INTERIOR EQUIPMENT

Soft-touch vinyl ceiling
Ball-bearing drawer guides
Raised-panel hardwood cabinetry
Deluxe hidden cabinet hinges
Solid-surface countertops with decorative backsplash
10-gal. gas/electric water heater
Water filtration system
Entegra-exclusive easy operation legless dinette table
Lap safety belts on all designated living area seats
Premium, tile-like laminate flooring
Systems monitor panel
High-intensity recessed LED ceiling lights
12V electrical system with 120V, 80-amp power converter
35,000-BTU auto-ignition furnace with digital wall thermostat
Blu-Ray™ with HDMI® connections to all televisions
Cable TV hookup with RG-6 coax and video selector switch
Residential medicine cabinet with mirror
Porcelain stool with foot pedal
One-piece fiberglass shower with glass shower door
Skylight in shower with light
King-size bed with bedspread
Under-bed storage, bed lifts easily on gas struts (select models)
32" LED HDTV in bedroom
Full cab-over bunk (750-lb. rating)
Bunk beds (300-lb. rating) (37FS)
7" Firefly Vegatouch touch screen coach systems control panel

OPTIONS

Cobalt full body paint
Crimson full body paint
Fawn full body paint
Slate full body paint
Power theater seating (NA 37K)
93" straight reclining sofa (37K only)
Canadian Shaw® TRAV'LER® satellite dish
Winegard® TRAV'LER® satellite dish - DIRECTV®
Washer/dryer combo (37RB, 37TS, 37K, 37L)
Washer/dryer stackable (37HJ only)
12 cu. ft. gas/electric 4-door refrigerator
Freestanding table with 4 chairs



ENTEGRA COACH®

E-Z Drive™ is a powerful blend of precise handling and renowned stability. Hands down, it's the best ride. Experience E-Z Drive for yourself—visit your local dealer and take a test drive.



THE ENTEGRA DIFFERENCE

- 1. One-piece seamless front cap** for increased durability and protection
- 2. Automotive-bonded panoramic front windshield**
- 3. 750-pound overhead bunk capacity** offers nearly 250 pounds more than the industry average for greater safety and peace of mind
- 4. One-piece seamless fiberglass roof**
- 5. Integrated third brake light** improves safety on the road
- 6. Seatbelts** in every designated seating position
- 7. Frameless windows** make exterior maintenance easier than ever and give the unit a sleek, modern look
- 8. Full pass-through storage** for easy packing and unpacking (select models)

ODYSSEY



EZ

ESTEEM

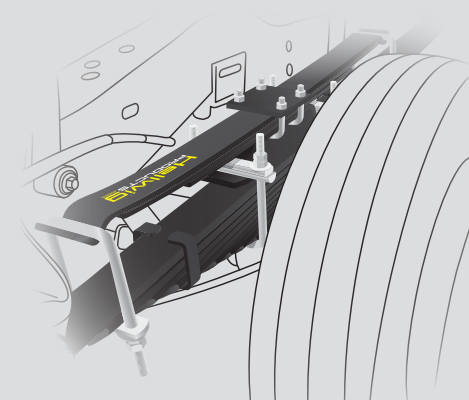


EZE

ACCOLADE



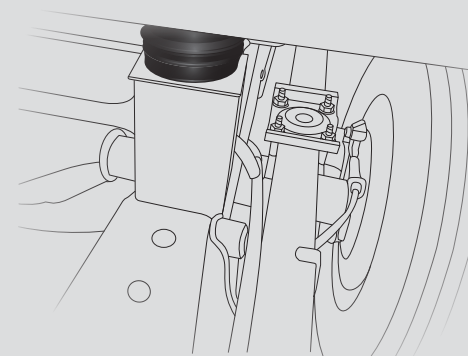
EZP



EZ EZE

HELLWIG® HELPER SPRINGS

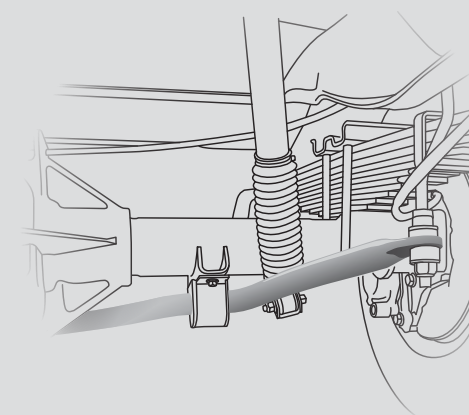
Work with the chassis' existing springs to give the RV more support, improving stability under heavy loads



EZ EZE

RUBBER ISOLATION MOUNTS

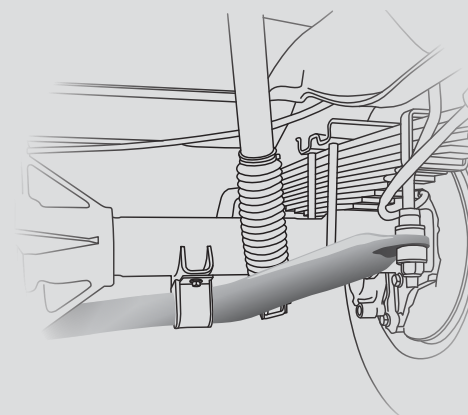
Positioned near the tires to absorb road shock, dampen noise and minimize vibrations



EZ EZE

STABILIZER BAR(S)

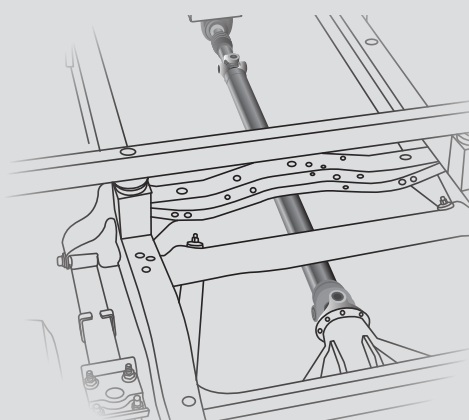
Reduces the body roll of a vehicle during fast cornering or over road irregularities



EZE EZP

HEAVY-DUTY REAR STABILIZER BAR

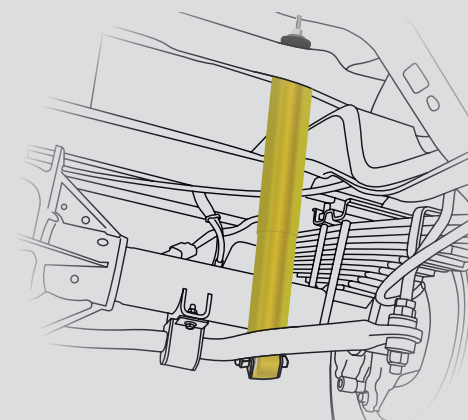
A larger bar and polyurethane bushings, instead of rubber, transfer power faster for extra support, more stability and easier handling



EZ EZE EZP

COMPUTER-BALANCED DRIVESHAFT

Ensures smooth and efficient power transfer to the wheels



EZE

KONI® SHOCK ABSORBERS

Koni's FSD technology adapts to the road and provides the perfect blend of comfort and control.

ENTEGRACOACH, INC., P.O. BOX 460, MIDDLEBURY, IN 46540

WWW.ENTEGRACOACH.COM



Gross Vehicle Weight Rating (GVWR): The maximum permissible weight of the motorcoach, including the Unloaded Vehicle Weight (UVW) plus passengers, personal items, all cargo, fluids, options and dealer-installed accessories. The GVWR is equal to or greater than the sum of the UVW and the Cargo Carrying Capacity. Gross Axle Weight Rating (GAWR): The maximum allowable weight each axle assembly is designed to carry, as measured at the tires, therefore including the weight of the axle assembly itself. Gross Combined Weight Rating (GCWR): The maximum allowable combined weight of the motorcoach used as a tow vehicle and the attached towed vehicle.

Entegra Coach, Inc. | P.O. Box 460 | Middlebury, IN 46540 See dealer for further information and prices. All information in this brochure and on www.entegracoach.com is the latest available at the time of publication approval. Entegra Coach reserves the right to make changes and to discontinue models without notice or obligation. Photography may show optional equipment or props used for decoration purposes only. RVs built for sale in Canada may differ to conform to Canadian codes. ENTEGRACOACH, JAYCO and the JAYCO BIRD IN FLIGHT are registered trademarks of Jayco, Inc. Printed in U.S.A. 39K 9/19 © 2019 Entegra Coach, Inc. 274888

FREE
ROADSIDE
ASSISTANCE

A year's access to Coach-Net™—the country's largest RV emergency road service.

