



Class C Motorhomes | 2018

Redhawk • Greyhawk • Greyhawk Prestige • Melbourne • Melbourne Prestige



HANDS DOWN, THE BEST RIDE.



GREYHAWK

MELBOURNE

2 YEAR LIMITED WARRANTY



## Our Wings Get You There

Family fun happens when you spread your wings. Thanks to Jayco's amenity-packed floorplans, rock-solid construction and two full camping seasons, or 24,000 miles, of warranty coverage, you can. Greater peace of mind and added comfort mean better memories and lasting bonds. So go ahead. Hit the road—and let the good times fly.

## Generations of Family Fun



### **Redhawk:** Page 4

Uncompromising construction and design make the reliable Redhawk one of the best values in its class



### **Greyhawk:** Page 6

An array of standard features and an unbeatable ride make traveling in the Greyhawk comfortable and, of course, fun

### **The All-New Greyhawk Prestige:** Page 6

The Greyhawk Prestige turns heads and adds to the adventure with its signature automotive-bonded panoramic front window



### **Melbourne:** Page 8

Fuel-conscious and agile, able-bodied and durable—the Melbourne is built ready for adventure after adventure

### **The All-New Melbourne Prestige:** Page 8

Ultra-refined interiors, a world-class chassis and a panoramic window over the cab help make traveling in this compact Class C a true delight.

REDHAWK™ GREYHAWK™ MELBOURNE™

GREYHAWK™ PRESTIGE MELBOURNE™ PRESTIGE

## TURN THE KEY AND GO

Jayco's Class C lineup, including the all-new Greyhawk and Melbourne Prestige models, makes it easy to get away. Whether it's a spur-of-the-moment trip or one planned for weeks, these motorhomes are ready for fun adventures and comfortable travel.

## WE CARE ABOUT GETTING THERE AS MUCH AS BEING THERE

JRide® is a powerful blend of precise handling and renowned stability. Hands down, it's the best ride. Experience JRide for yourself—visit your local dealer and take a test drive.

**JRIDE**



A REDHAWK STANDARD



Redhawk:  
<https://www.jayco.com/products/class-c-motorhomes/2018-redhawk/jride/>

**JRIDE PLUS**



A GREYHAWK AND GREYHAWK PRESTIGE STANDARD



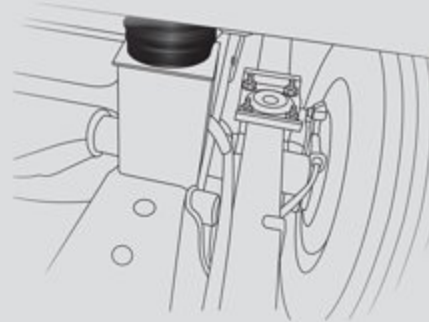
Greyhawk:  
<https://www.jayco.com/products/class-c-motorhomes/2018-greyhawk/jride-plus/>  
Greyhawk Prestige:  
<https://www.jayco.com/products/class-c-motorhomes/2018-greyhawk-prestige/jride-plus/>



### HELLWIG® HELPER SPRINGS

Work with the chassis' existing springs to give the RV more support, improving stability under heavy loads

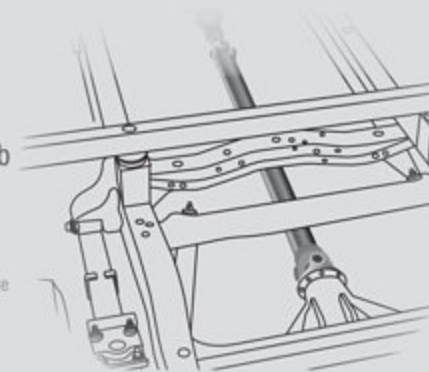
Available on: Redhawk, Greyhawk, Greyhawk Prestige



### RUBBER ISOLATION MOUNTS

Positioned near the tires to absorb road shock, dampen noise and minimize vibrations

Available on: Redhawk, Greyhawk, Greyhawk Prestige



### COMPUTER-BALANCED DRIVESHAFT

Ensures smooth and efficient power transfer to the wheels

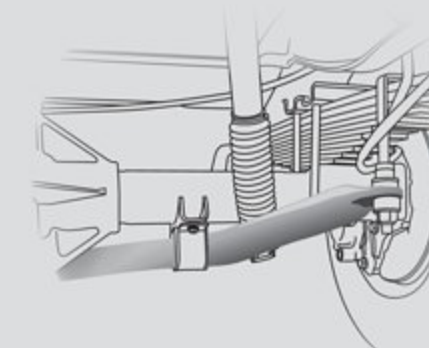
Available on: Redhawk, Greyhawk, Greyhawk Prestige



### STABILIZER BAR(S)

Reduces the body roll of a vehicle during fast cornering or over road irregularities

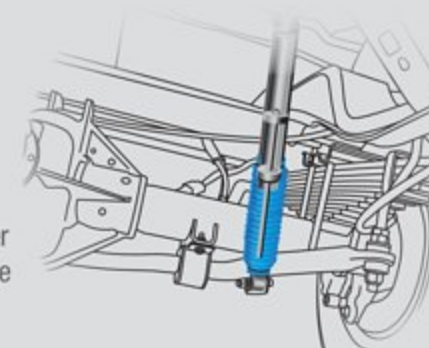
Available on: Redhawk, Greyhawk, Greyhawk Prestige



### HEAVY-DUTY REAR STABILIZER BAR

A larger bar and polyurethane bushings, instead of rubber, transfer power faster for extra support, more stability and easier handling

Available on: Greyhawk, Greyhawk Prestige

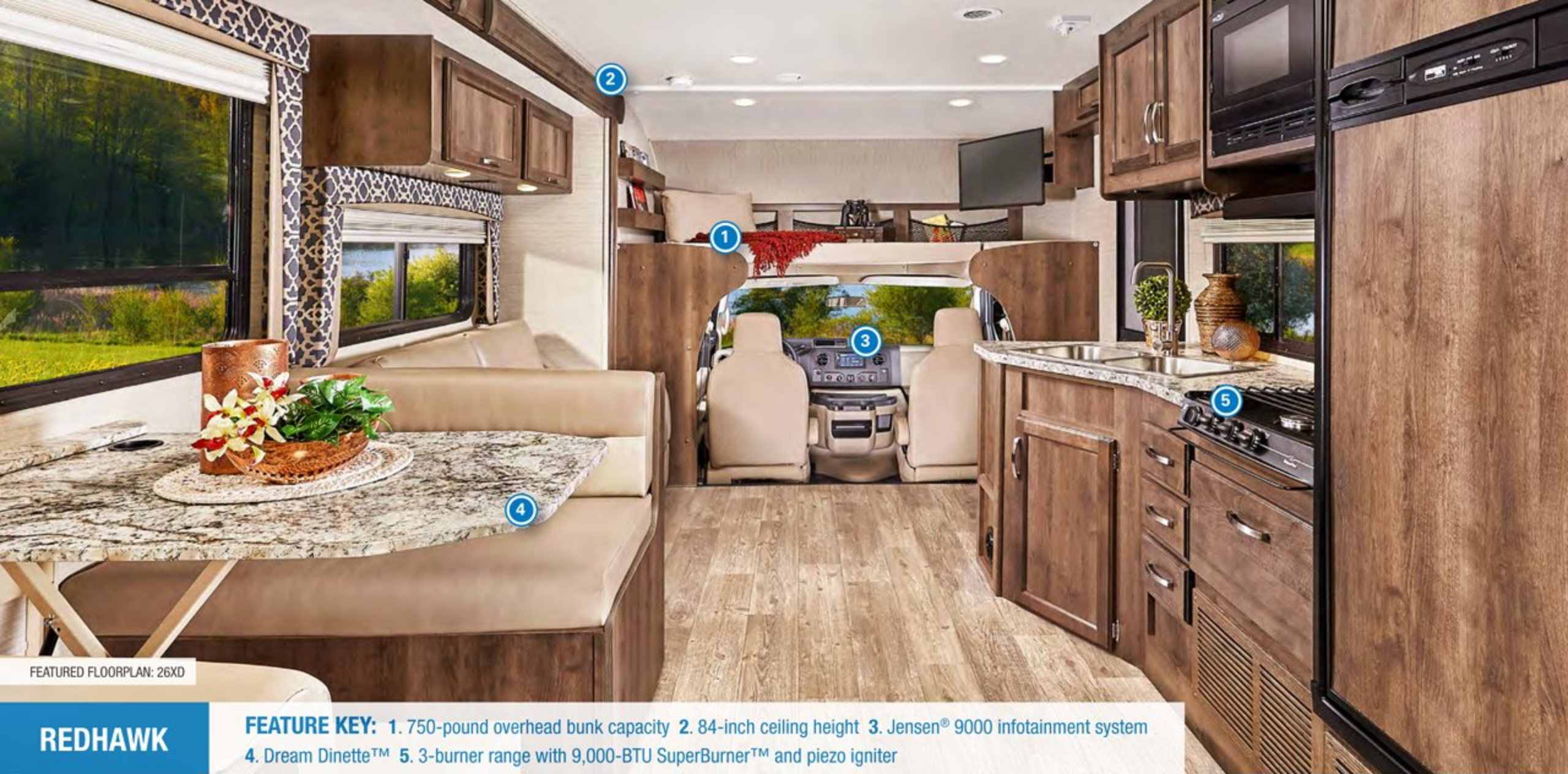


### BILSTEIN® SHOCK ABSORBERS

Feature a unique monotube gas-pressure design, providing optimum ride quality and vehicle control

Available on: Greyhawk, Greyhawk Prestige

\*Each model contains different JRide components. Visit [jayco.com](http://jayco.com) for more information. Not available on Melbourne.



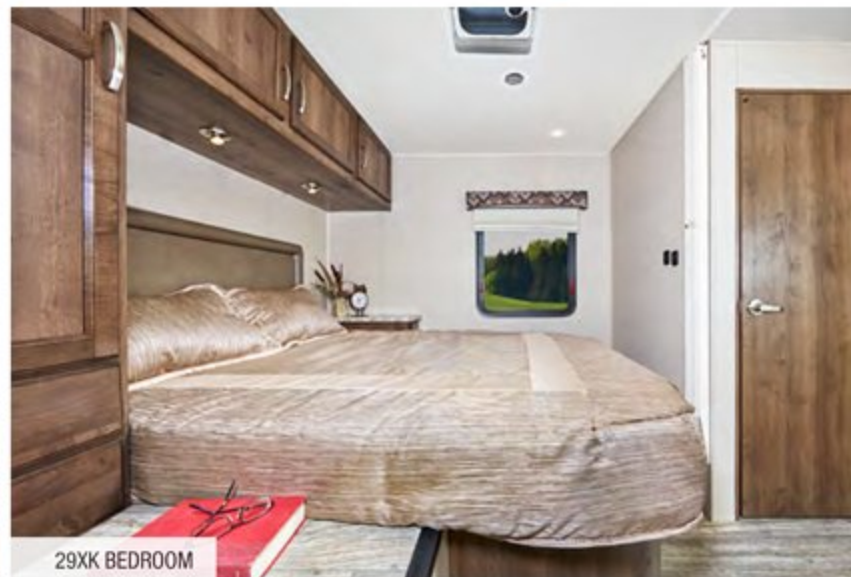
FEATURED FLOORPLAN: 26XD

## REDHAWK

**FEATURE KEY:** 1. 750-pound overhead bunk capacity 2. 84-inch ceiling height 3. Jensen® 9000 infotainment system 4. Dream Dinette™ 5. 3-burner range with 9,000-BTU SuperBurner™ and piezo igniter



GLASS TILE KITCHEN BACKSPLASH



29XK BEDROOM



STAINLESS STEEL BATHROOM SINK

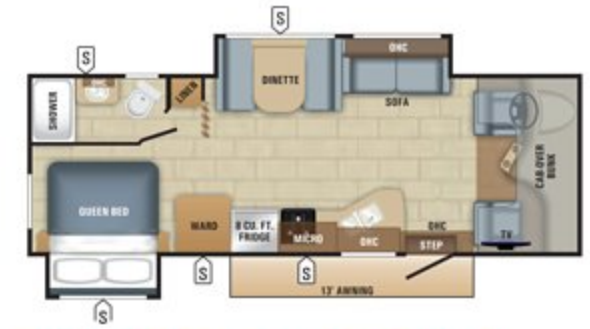
## REDHAWK FLOORPLANS



REDHAWK | 22J (FORD® CHASSIS)



REDHAWK | 25R (FORD CHASSIS)



REDHAWK | 26X1 (CHEVROLET® CHASSIS)



REDHAWK | 26XD (FORD CHASSIS)



REDHAWK | 29XK (FORD CHASSIS)



REDHAWK | 31XL (FORD CHASSIS)

## REDHAWK SPECS

MODELS	DIMENSIONS					TANKS (GALS.)			
	FLOORPLAN	EXTERIOR LENGTH	EXTERIOR WIDTH	EXTERIOR HEIGHT (WITH A/C)	INTERIOR HEIGHT	WHEEL BASE	FRESH WATER CAPACITY (INCLUDES WATER HEATER)	GREY WASTE WATER CAPACITY	BLACK WASTE WATER CAPACITY
22J		24' 8"	100"	11' 6"	84"	158"	49.5	40	31
25R		TBD	TBD	TBD	TBD	TBD	TBD	TBD	TBD
26X1		29' 2"	100"	11' 6"	84"	182"	53	41	32
26XD		28' 8"	100"	11' 6"	84"	181"	53	41	32
29XK		32' 6"	100"	11' 6"	84"	223"	49.5	41	32
31XL		32' 6"	100"	11' 6"	84"	223"	53	41	32

## REDHAWK INTERIOR DÉCOR

### ALBANY



### CHAMBRAY



### NANTUCKET





FEATURED FLOORPLAN: 29MV

## GREYHAWK

**FEATURE KEY:** 1. High-intensity, recessed LED ceiling lights 2. Tri-fold sofa (select models) 3. Pullout countertop extension 4. Queen-size bed with bedspread



FEATURED FLOORPLAN: 29MVP

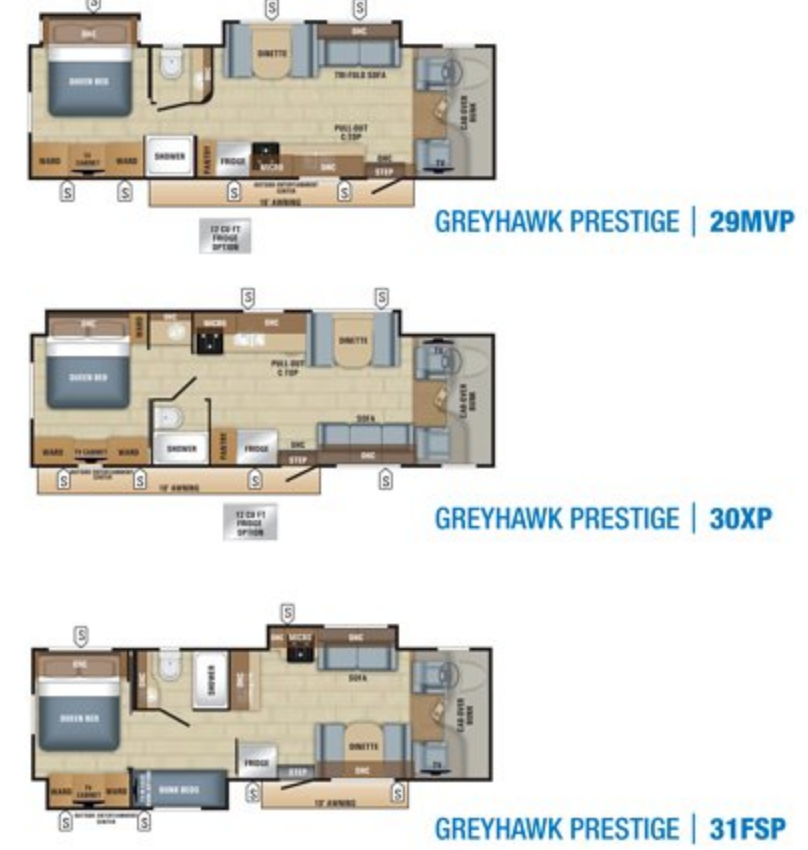
## THE ALL-NEW GREYHAWK PRESTIGE

**FEATURE KEY:** 1. 82-inch x 30-inch panoramic front window 2. Jayco-exclusive Garmin® infotainment system powered by Fusion® 3. Sienna Maple cabinetry with shaker-style doors 4. Roller shades 5. Side-hinged, hidden-hinge overhead doors

## GREYHAWK FLOORPLANS



## GREYHAWK PRESTIGE FLOORPLANS



## GREYHAWK AND GREYHAWK PRESTIGE SPECS

MODELS		DIMENSIONS					TANKS (GALS.)		
MODEL	FLOORPLAN	EXTERIOR LENGTH	EXTERIOR WIDTH	EXTERIOR HEIGHT (WITH A/C)	INTERIOR HEIGHT	WHEEL BASE	FRESH WATER CAPACITY (INCLUDES WATER HEATER)	GREY WASTE WATER CAPACITY	BLACK WASTE WATER CAPACITY
GREYHAWK	26Y	28' 8"	100"	11' 6"	84"	223"	53	41	32
	29ME	32' 7"	100"	11' 6"	84"	223"	53	41	31
	29MV	32' 7"	100"	11' 6"	84"	223"	53	41	32
	29W	32' 6"	100"	11' 6"	84"	223"	49.5	41	32
	30X	32' 6"	100"	11' 6"	84"	223"	53	41	31
	31DS	32' 6"	100"	11' 6"	84"	223"	53	41	31
	31FS	32' 7"	100"	11' 6"	84"	223"	53	41	32
GREYHAWK PRESTIGE	29MVP	32' 6"	100"	11' 6"	84"	223"	53	41	32
	30XP	32' 6"	100"	11' 6"	84"	223"	53	41	31
	31FSP	32' 6"	100"	11' 6"	84"	223"	53	41	32

## GREYHAWK INTERIOR DÉCOR\*

### CHIFFON



### REGAL



### SANDALWOOD



## GREYHAWK PRESTIGE INTERIOR DÉCOR\*\*

### BRINDLE



### UMBER



\*Décor are exclusive to Greyhawk

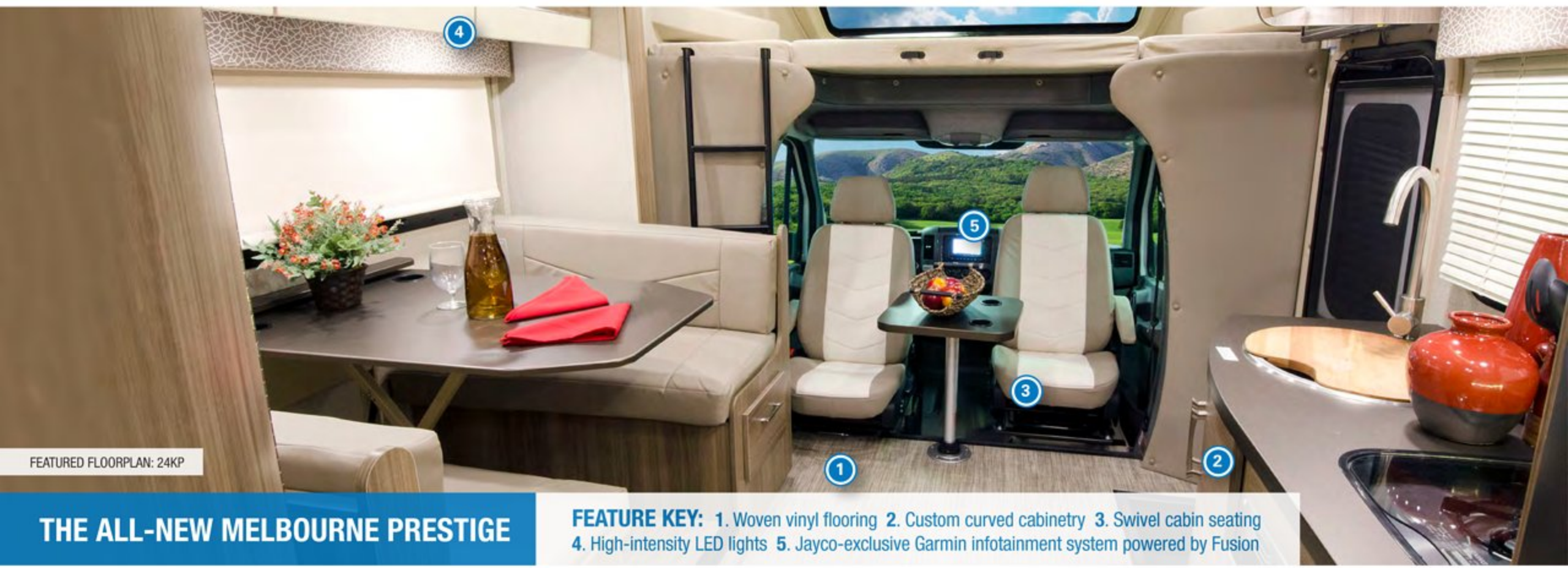
\*\*Décor are exclusive to Greyhawk Prestige



FEATURED FLOORPLAN: 24K

## MELBOURNE

**FEATURE KEY:** 1. 32-inch LED TV 2. Jayco-exclusive Garmin® infotainment system powered by Fusion® 3. Flip-up countertop extension 4. 83-inch tall, soft-touch vinyl ceiling 5. Residential-size microwave



FEATURED FLOORPLAN: 24KP

## THE ALL-NEW MELBOURNE PRESTIGE

**FEATURE KEY:** 1. Woven vinyl flooring 2. Custom curved cabinetry 3. Swivel cabin seating 4. High-intensity LED lights 5. Jayco-exclusive Garmin infotainment system powered by Fusion

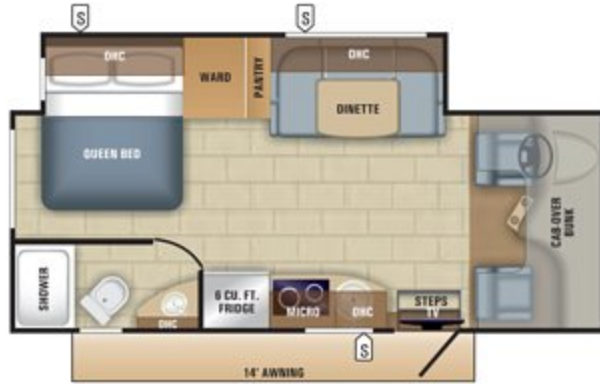


## MELBOURNE FLOORPLANS

MELBOURNE | 24K



MELBOURNE | 24L



## MELBOURNE PRESTIGE FLOORPLANS

MELBOURNE PRESTIGE | 24KP



MELBOURNE PRESTIGE | 24LP



## MELBOURNE SPECS

MODELS		DIMENSIONS					TANKS (GALS.)		
MODEL	FLOORPLAN	EXTERIOR LENGTH	EXTERIOR WIDTH	EXTERIOR HEIGHT (WITH A/C)	INTERIOR HEIGHT	WHEEL BASE	FRESH WATER CAPACITY (INCLUDES WATER HEATER)	GREY WASTE WATER CAPACITY	BLACK WASTE WATER CAPACITY
MELBOURNE	24K	25' 2"	94"	11' 5"	83"	170"	49	32	32
	24L	25' 2"	94"	11' 5"	83"	170"	49	32	32
MELBOURNE PRESTIGE	24KP	25' 2"	96"	10' 11"	80"	170.3"	49	31	31
	24LP	25' 2"	96"	10' 11"	80"	170.3"	49	31	31

**Gross Vehicle Weight Rating (GVWR):** The maximum permissible weight of the motorhome, including the Unloaded Vehicle Weight (UUV) plus passengers, personal items, all cargo, fluids, options and dealer-installed accessories. The GVWR is equal to or greater than the sum of the UUV and the Cargo Carrying Capacity.

**Gross Combined Weight Rating (GCWR):** The maximum allowable combined weight of the motorhome used as a tow vehicle and the attached towed vehicle. It is important for your safety and enjoyment that you are aware of the weights and tow ratings of the RV you select. Consult a competent advisor for questions or advice.

Whether you are new to RVing or a veteran, get a feel for the performance of your RV before heading out on the roadways. When you tow a vehicle with your RV, you must drive differently than when you drive a single vehicle. Practice hooking up, driving, backing up and braking in a safe environment or seek out professional instruction. Jayco affixes a weight label to each RV which lists weight information for that vehicle. Refer to that label to verify the vehicle will meet your requirements.

## MELBOURNE INTERIOR DÉCOR\*

CHIFFON



REGAL



SANDALWOOD



## MELBOURNE PRESTIGE INTERIOR DÉCOR\*\*

HUDSON



\*Décor are exclusive to Melbourne

\*\*Décor is exclusive to Melbourne Prestige

## STANDARDS AND OPTIONS

### REDHAWK

#### CUSTOMER VALUE PACKAGE

JRide® Package: computer-balanced driveshaft, standard front and rear stabilizer bars, Hellwig® helper springs, rubber isolation mounts

Jensen® 9000 Infotainment System (Ford® chassis only)

One-piece seamless front cap

12V electric patio awning

1000-watt inverter

Black holding tank sprayer

Backup camera

Heated holding tanks (12V pads)

8-cubic-foot refrigerator

32-inch LED HDTV

#### STANDARD EXTERIOR EQUIPMENT

Vacuum-bonded, laminated roof (R-15), floor (R-9) and sidewalls (R-5)

Electric-powered entrance step

Onan® 4,000-watt MicroQuiet™ generator

42-pound propane tank

30-amp power cord

Slideout battery tray

Leveling jack prep

#### STANDARD INTERIOR EQUIPMENT

Recessed LED lighting

3-burner range with 9,000-BTU SuperBurner™

Convection microwave oven (n/a in 31XL)

12V demand water pump

6-gallon gas/electric water heater

Dream Dinette™ mechanism (n/a in 29XX)

Seatbelts in every seating position

15,000-BTU ducted air conditioner and

30,000-BTU furnace

Queen-size bed with bedspread

750-pound cab-over bunk capacity

Bunk beds (300-pound rating) (31XL)

#### STANDARD DRIVING EQUIPMENT

Ford E-450 chassis (n/a on 26X1)

Triton® 6.8L EFI V-10 305 HP engine with 420 lb.-ft. torque

6-speed automatic TorqShift® series transmission with overdrive

14,500-pound GVWR

22,000-pound GCWR

7,500-pound hitch with 7-pin plug

55-gallon fuel tank

Chevrolet® 4500 chassis (26X1)

6L Vortec® V-8 342HP engine with 373 lb.-ft. torque

Hydra-Matic 6-speed automatic transmission with overdrive

14,200-pound GVWR

20,000-pound GCWR

5,000-pound hitch with 7-pin plug

57-gallon fuel tank

120-amp alternator

Auxiliary start switch

Third brake light

#### OPTIONS

Automatic hydraulic leveling jacks

### GREYHAWK\*

#### CUSTOMER VALUE PACKAGE

JRide Plus: computer-balanced driveshaft, heavy-duty rear stabilizer bar, standard front stabilizer bar, Bilstein® shocks, Hellwig helper springs, rubber isolation mounts

Automatic hydraulic leveling jacks

Jayco-exclusive Garmin® infotainment system powered by Fusion®

Backup and sideview cameras

Remote-controlled, heated sideview mirrors

Frameless windows

12V electric awning with LED lights

1,000-watt inverter

15,000-BTU A/C with heat pump

24-inch LED TV in bedroom

#### STANDARD EXTERIOR EQUIPMENT

Vacuum-bonded, laminated floor (R-9), sidewalls (R-5) and roof (R-24)

One-piece seamless front cap

One-piece fiberglass roof

Fiberglass running boards and transition wings

Keyless entry door, touchpad lock system

Electric-powered entrance step

Locking exterior storage compartments

Onan 4,000-watt MicroQuiet™ generator with auto-changeover

Slideout battery tray with house battery

30-amp power cord

56-pound propane tank

Heated holding tanks (12V pads)

Black tank sprayer

6-gallon gas/electric water heater

#### STANDARD INTERIOR EQUIPMENT

84-inch ceiling height with padded vinyl ceiling

High-intensity, recessed LED ceiling lights

Ball-bearing drawer guides

3-burner range with 9,000-BTU SuperBurner and oven

8-cubic-foot, flush-mount, double-door refrigerator

Residential microwave

12V demand water pump

Dream Dinette mechanism (n/a in 29W)

Seatbelts in every seating position

Vinyl flooring

30,000-BTU auto-ignition furnace with wall thermostat

32-inch LED TV

Satellite dish prep

Toilet with foot flush

Queen-size bed with bedspread

Under-bed storage (select models)

750-pound cab-over bunk capacity

Bunk beds (300-pound rating) (31FS)

#### STANDARD DRIVING EQUIPMENT

Ford E-450 chassis

Triton 6.8L EFI V-10 305 HP engine with 420 lb.-ft. torque

6-speed TorqShift series transmission with overdrive

14,500-pound GVWR / 22,000-pound GCWR

55-gallon fuel tank

7,500-pound hitch with 750-pound tongue capacity and 7-pin plug

120-amp alternator

Auxiliary start switch

Power anti-lock brakes with power steering

A/C and cruise control

Tilt steering wheel

6-way-start power driver seat

Driver and passenger air bags

Power windows and door locks

Third brake light

Wheel liners

#### OPTIONS

Canadian standards

24-inch LED TVs (2) in bunk area (31FS)

12-cubic foot refrigerator (29MV, 29W, 30X)

Front entertainment center with 39-inch LED HD TV

11,000-BTU A/C (2) (n/a on 26X)

Aluminum rims

### GREYHAWK PRESTIGE\*

#### CUSTOMER VALUE PACKAGE

JRide Plus: computer-balanced drive shaft, Bilstein shocks, heavy-duty rear stabilizer bar, standard front stabilizer bar, Hellwig helper springs, rubber isolation mounts

24-inch LED TV in bedroom

1,000-watt inverter

Automatic hydraulic leveling jacks

Backup and sideview cameras

Electric awning with LED lights

Exterior 32-inch LED TV

Frameless windows

Side-hinged, hidden-hinge cabinetry

Jayco-exclusive Garmin infotainment system powered by Fusion

Chrome, remote-controlled and heated mirrors

Solid-surface kitchen countertops with sink covers

#### STANDARD EXTERIOR EQUIPMENT

Vacuum-bonded, laminated floor (R-9), sidewalls (R-5) and roof (R-24)

Electric-powered entrance step

Onan 4,000-watt MicroQuiet generator with auto-changeover

56-pound propane tank

Slideout battery tray with house battery

One-piece seamless front cap with 30-inch x 82-inch automotive-bonded panoramic front window

One-piece seamless fiberglass roof

Keyless entry door, touchpad lock system

High-output, marine grade exterior speakers

Locking exterior storage compartments

Heated holding tanks (12V pads)

#### STANDARD INTERIOR EQUIPMENT

High-intensity, recessed LED ceiling lights

3-burner range recessed with 9,000-BTU SuperBurner

6-gallon gas/electric water heater

Sienna Maple cabinetry with shaker-style doors

### REDHAWK EXTERIOR



### GREYHAWK EXTERIORS



Aztec Silver Graphics



Premium Paint Option - Autumn Air



Premium Paint Option - Summer Bliss

### GREYHAWK PRESTIGE EXTERIORS



Aztec Silver Graphics

Dream Dinette mechanism  
 15,000-BTU A/C with heat pump and  
 30,000-BTU furnace  
 32-inch LED TV  
 Roller shades  
 Queen-size bed with bedspread  
 Full 750-pound cab-over bunk capacity  
 Stainless steel sink in kitchen and bathroom

### STANDARD DRIVING EQUIPMENT

Ford E-450 chassis  
 Triton 6.8L EFI V-10 305 HP engine with  
 420 lb.-ft. torque  
 6-speed TorqShift series transmission  
 with overdrive  
 14,500-pound GVWR  
 22,000-pound GCWR  
 55-gallon fuel tank  
 7,500-pound hitch with 750-pound tongue capacity  
 and 7-pin plug  
 Third brake light

### EXTERIOR

Aztec Silver graphics  
 Celestial Blue paint  
 Desert Gold paint

### DÉCOR

Brindle  
 Umber

### OPTIONS

Aluminum rims  
 24-inch LED TVs (2) in bunk area (31FSP)  
 12-cubic-foot refrigerator (29MVP, 30XP)  
 Full-body paint options with slide topper awnings  
 11,000-BTU A/Cs (2)

## MELBOURNE\* \*\*

### CUSTOMER VALUE PACKAGE

Jayco-exclusive Garmin infotainment system  
 powered by Fusion  
 Backup camera  
 Electric patio awning with LED light strip  
 Frameless windows  
 Remote-controlled and heated mirrors  
 Swivel driver and passenger seats  
 Electric stabilizer jacks  
 Heated holding tanks (12V pads)  
 Keyless cab entry

### STANDARD EXTERIOR EQUIPMENT

One-piece seamless front cap  
 Electric-powered, single-entrance step  
 30-amp detachable electrical service cord  
 9.8-gallon propane tank  
 12V house battery with slideout battery tray  
 Black tank sprayer  
 12V demand water pump  
 Exterior grill quick-connect

### STANDARD INTERIOR EQUIPMENT

Soft-touch vinyl ceiling  
 High-intensity LED ceiling lights  
 6-gallon gas/electric water heater  
 Seatbelts in every seating position  
 32-inch LED living room TV  
 Queen-size bed with bedspread  
 Prep for satellite dish  
 8-cubic-foot gas/electric refrigerator  
 Flip-up countertop extension  
 Dream Dinette with booth dinettes (select models)  
 U-shaped dinette with stow away pedestal legs  
 (select models)  
 12V USB charging station in dinette area only

### STANDARD DRIVING EQUIPMENT

Mercedes 3500  
 170-inch wheelbase  
 11,030-pound GVWR chassis  
 V-6 turbo diesel engine with 188 HP and  
 325-lb.-ft. torque  
 5-speed automatic transmission  
 5,000-pound hitch with 500-pound tongue  
 capacity and 7-pin plug  
 Front and rear disc, 4-wheel anti-lock brakes  
 Third brake light

### OPTIONS

Front entertainment center with 32-inch LED HDTV  
 Full-body paint with Diamond Shield™ and  
 aluminum rims  
 3.2kW diesel generator

## MELBOURNE PRESTIGE\* \*\*

### CUSTOMER VALUE PACKAGE

Jayco-Exclusive Garmin infotainment system  
 powered by Fusion  
 Backup camera  
 Electric patio awning with LED light strip  
 Frameless windows  
 Remote-controlled and heated mirrors  
 Swivel driver and passenger seats  
 Electric stabilizer jacks  
 Heated holding tanks (12V pads)  
 Keyless cab entry

### STANDARD EXTERIOR EQUIPMENT

One-piece seamless front cap  
 Electric-powered, single-entrance step  
 Aluminum skirt-hung baggage doors  
 30-amp detachable electrical service cord  
 9.8-gallon propane tank  
 12V house battery with slideout tray  
 Black tank sprayer  
 12V demand water pump  
 Exterior grill quick-connect

### STANDARD INTERIOR EQUIPMENT

Soft-touch vinyl ceiling  
 High-intensity LED ceiling lights  
 Custom curved cabinetry

Woven vinyl flooring  
 6-gallon gas/electric water heater  
 Seatbelts in every seating position  
 32-inch LED living room TV  
 Queen-size bed with bedspread  
 Prep for satellite dish  
 Dream Dinette with booth dinettes (24KP)  
 U-shaped dinette with stow-away pedestal legs (24LP)  
 12V USB charging station(s)

### STANDARD DRIVING EQUIPMENT

Mercedes 3500  
 170-inch wheelbase  
 11,030-pound GVWR chassis  
 V-6 turbo diesel engine with 188 HP and  
 325-lb.-ft. torque  
 5-speed automatic transmission  
 5,000-pound rear hitch receiver with  
 dual connector  
 Front and rear disc, 4-wheel anti-lock brakes  
 Third brake light

### OPTIONS

3.2kW Onan diesel generator  
 2 premium custom paint options with  
 Diamond Shield - Phantom and Merlot

\*For a full list of standards and options, visit  
[jayco.com/products/class-c-motorhomes/](http://jayco.com/products/class-c-motorhomes/)

\*\*Chassis warranty is 36 months/3 years.  
 Diesel engine is 5 years/100,000 miles. All  
 above standards and options are based on  
 the initial prototype. Jayco reserves the right  
 to make any changes without notification.

## MELBOURNE EXTERIORS



Soft Sand



Premium Paint Option - Tattoo Blue



Premium Paint Option - White Lightning

## MELBOURNE PRESTIGE EXTERIORS



Premium Paint Option - Phantom



Premium Paint Option - Merlot



Premium Paint Option - Celestial Blue



Premium Paint Option - Desert Gold



## THE JAYCO DIFFERENCE

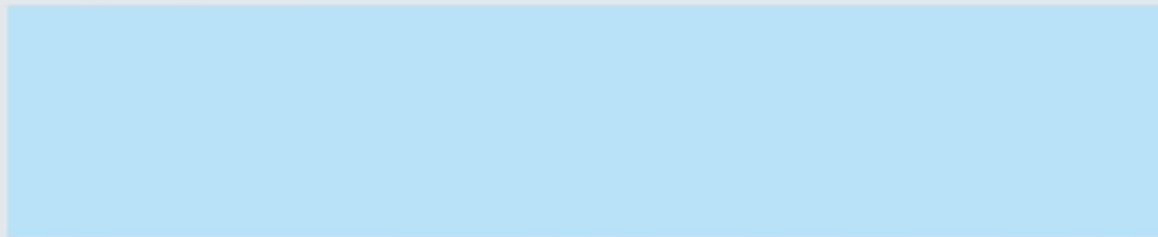
1. **One-piece seamless front cap** for increased durability and protection
2. **82-inch x 30-inch automotive-bonded panoramic front window** (Prestige models only)
3. **750-pound overhead bunk capacity** offers nearly 250 pounds more than the industry average for greater safety and peace of mind
4. **Integrated electric step** maximizes ground clearance and floor space

5. **Integrated third brake light** improves safety on the road
6. **Seatbelts** in every seating position
7. **Frameless windows** make exterior maintenance easier than ever and give the unit a sleek, modern look
8. **Full pass-through storage** for easy packing and unpacking (select models)



Generations of family fun.

Meet your Jayco Dealer



We work hard—so you can play hard. From finding the perfect Jayco for your family to providing flexible financing options and full-service support, we're here to help.

Follow Jayco



Jayco, Inc. | P.O. Box 460 | Middlebury, IN 46540  See dealer for further information and prices. All information in this brochure and on [www.jayco.com](http://www.jayco.com) is the latest available at the time of publication approval.

Jayco reserves the right to make changes and to discontinue models without notice or obligation. Photography may show optional equipment or props used for decoration purposes only. RVs built for sale in Canada may differ to conform to Canadian codes. JAYCO and the JAYCO BIRD IN FLIGHT are registered trademarks of Jayco, Inc. Printed in USA 20K 12/17 ©2017 Jayco, Inc. 274783-1

Travel with Confidence

**2**  
YEAR  
WARRANTY

At Jayco, we build our RVs to handle every adventure, then back them with our industry-leading 2-year limited warranty. We, with support from our select partners, have you covered for **2 camping seasons** or **twenty-four thousand (24,000) miles** (mileage limitation applies to motorized products only), whichever occurs first, from the original date of purchase. You won't find a better warranty in the business, because the only strings we attach are those that deliver the ultimate in reliability. That's the Jayco difference. So go explore. For a copy of our 2-year limited warranty with complete terms and conditions, please contact your local Jayco dealer.

**FREE**  
ROADSIDE  
ASSISTANCE

A year's access to Coach-Net™—the country's largest RV emergency road service.



**eco** advantage™

Jayco's long-term commitment to generations of family fun

After six years of increased efforts to eliminate waste, conserve energy and increase recycling, we've come a long way in building RVs that are not only better for your family—but also better for the planet.

Learn more at [Jayco.com/EcoAdvantage](http://Jayco.com/EcoAdvantage)