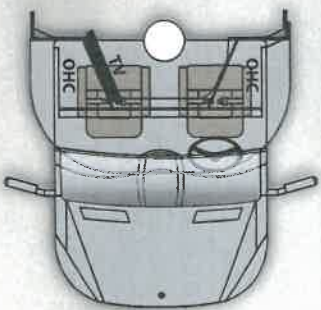
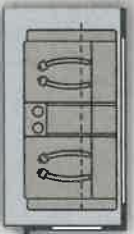


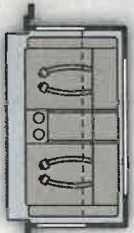
Cab Over Bunk Option



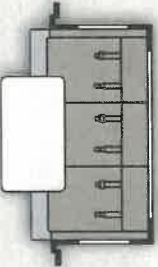
Cocktail Table Option



24FW Optional Dual Recliners (1PO dinette)



24RW Optional Dual Recliners (1PO dinette)



Optional Tri-Fold Sofa with Table (1PO dinette)

Standard Features & Options

Chassis

- Mercedes-Benz® Sprinter Chassis
 - 3.0L V6 Turbo Diesel Engine (188hp and 325 ft.-lbs. of Torque)
 - 5-Speed Automatic Transmission with Overdrive
 - 26.4-Gallon Fuel Tank
 - 4.75-Gallon Diesel Exhaust Fluid Tank
 - Trailer Hitch (5,000 Tow lbs.) with 7-Way Round Tow Connection
 - 3-Year/36,000-Mile Roadside Assistance
 - Upgraded Hellwig® Rear Sway Bar
 - Electronic Stability Package
 - Momentary Battery Booster Switch for Connecting Chassis and House Batteries
 - Single 12V AGM Chassis Battery
 - 220-Amp Alternator
 - Fuel Filter with Water Separator
 - LED Brake, Turn, and Backup Lights
 - Aluminum Running Boards
 - Front and Rear Tires: LT215/85 R16
 - Single Front Wheels: Steel (5.5" x 16")
 - Dual Rear Wheels: Steel (5.5" x 16")
 - Valve Extensions
 - 4.18 Rear Axle Ratio
 - Spare Tire with Carrier Mounted to Frame
 - Leatherette Driver and Passenger Seats with Swivel Bases and Pedestal Skirt
 - Multifunction Steering Wheel
 - Instrument Cluster with Pixel-Matrix Display
 - Backup and Side View Cameras
 - XITE® 6" Touch Screen Dash Infotainment System with AM/FM, Bluetooth®, Sirius/XM® (tuner and antenna), Rand McNally® RV Navigation with Lifetime Updates and Wi-Fi-Connected Services (live fuel, weather, and local search), and Dedicated Camera Button
 - 12V and USB Accessory Ports
 - Cruise Control
 - Adjustable Steering Column
 - Hydrographic Woodgrain Cab Accents
 - Power Exterior Mirrors (Auto-Heated at Low Temperatures)
 - Power Windows and Locks
 - 3-Point Seat Belts
 - Front Safety Air Bags
 - Deluxe, Easy-Clean Removable Cab Carpet Mat
 - Drink Holders
- ### Construction
- 1-1/2" Aluminum-Framed, Laminated Sidewalls with Block Foam Insulation
 - Gel-Coat Fiberglass Walls with Azdel® Backing
 - Aluminum-Framed Floor
 - Aluminum-Framed Roof Trusses
 - Crowned, One-Piece Fiberglass Roof
 - Foil-Lined Ductwork Throughout
 - Aerodynamic Fiberglass Front Wing Panels
 - Aerodynamic Fiberglass Front Cap with Cab-Over Cabiniets
 - Dark-Tinted, Frameless Windows
 - Seamless, Easy-Clean Rotocast Storage Compartments
 - Locking Aluminum Exterior Storage Doors
 - Electric Slide System
 - Power Rear Stabilizer Jacks with Individual Left and Right Controls
- ### Exterior
- Custom Full Body Paint Package with Diamond Shield® Paint Protection
 - Dual-Pitch, Armless Patio Awning with LED Lighting and Motion-Activated Retraction
 - Aluminum-Wrapped Slideout Topper(s)
 - LED Patio Light
 - Entry Door with Dark-Tinted, Frameless Window and Shade
 - Lighted Acrylic Entry Grab Handle
 - Lighted Power Entry Step
 - Exterior TV Mount (32" LED Bedroom TV is Portable)
 - Exterior Speakers
 - Front and Rear LED Clearance and Marker Lighting
- ### Interior
- Premium Vinyl Flooring
 - Soft-Touch Padded Vinyl Ceiling
 - LED Flush-Mount Ceiling Lighting
 - Coordinating Window Treatments with "Quick Change" Fabric Panels
 - Blackout Roller Shades (Mini-Blind at Galley)
 - Italian Ultralight Poplar Cabinetry
 - Full Extension, Soft-Closing Drawer Guides (where applicable)
 - Hidden Hinges
 - 32" LED TV (Living Area)
 - Stereo System - AM/FM/CD/DVD with Zoned Speaker Control and Bluetooth® Smart Phone App Control
 - Easy Access Battery Compartment Beneath Entry Step
 - Lighted Entry with Non-Skid Rubber Step and Steel Risers
 - Thermal, Reflective Front Privacy Shades
 - USB Charging Ports

Kitchen

- 7.0 Cu. ft. 2-Way Refrigerator (Double-Door)
- Sealed Gas Range with Glass Cover
- Convection Microwave Oven
- Solid Surface Countertops
- Solid Surface Countertop Extension
- Stainless Steel Sink with Solid Surface Cover
- Under-Cabinet Lighting
- Residential Single-Handle Faucet with Pullout Sprayer
- MaxxAir® Power Vent with Built-In Rain Cover and Remote

Bedroom

- Queen Bed (60" x 74") with iCool® Gel-Infused Memory Foam Mattress
- Designer Bedspread Package
- 32" LED TV
- Cedar-Lined Wardrobe
- LED Reading Lights
- USB Charging Ports
- Nightstand
- Privacy Partition
- MaxxAir® Power Vent with Built-In Rain Cover and Remote

Bathroom

- ABS Shower with Light-Weight, Soft-Sided Shower Door
- Shower Skylight
- Oxygenics Body Spa® RV Shower Head
- Residential Vanity Faucet with Stainless Steel Sink
- 24FW: Porcelain Foot-Flush Toilet
- 24RW: Porcelain Electronic-Flush Macerator Toilet
- MaxxAir® Power Vent with Built-In Rain Cover and Remote

Utilities

- Dual 12V Group 27 AGM Deep-Cycle, Maintenance-Free Auxiliary Batteries
- Battery Disconnect at Entry
- 30-Amp Service
- 1,000W Pure Sine Wave Inverter
- 3.6kW Onan® LP Generator with Auto Transfer Switch (Mounted on Isolator Pads)
- Roof-Mount and Ducted 15,000-BTU Air Conditioner with Heat Pump
- 20,000-BTU Furnace with Electronic Ignition
- 60,000-BTU Truma® Aqua Go® On-Demand Water Heater (LP)
- Remote Thermostatically-Controlled Heating and Cooling
- 20.3-Gallon LP Tank (WC)

- LP Quick Connect
- Water Filtration System
- Exterior Service Station (Monitor Panel, Drain Valves, and Shower)
- Interior Monitor Panel with LP/Tank/Battery Readout
- Exterior GFCI Receptacle
- Jack® Digital Antenna with LED Signal Strength Indicator
- Cable TV/Satellite Hookup
- 60-Amp Progressive Dynamics Converter with Charge Wizard® System
- Black Tank Flush
- 12V Heat Pads on Fresh, Gray, and Black Tanks
- Water Management Valve for Fill and Winterizing
- 12V On-Demand Water Pump
- Carbon-Monoxide, LP, and Smoke Detectors
- Fire Extinguisher

Options

- Aluminum Wheels (Set of Four)
- Automatic, 4-Point Hydraulic Leveling Jacks (N/A with Diesel Generator)
- Extended Fiberglass Front Cap with Cab-Over Bunk and Mattress (54" x 80")
- Dual Recliners in Place of Dinette
- Tri-Fold Sofa with Pedestal Table in Place of Dinette
- Cocktail Table Between Cab Seats
- Cab Seat Booster Cushions (Set of Two)
- Winegard® In-Motion T4 Satellite (Dist® SD-HD, DirectTV® SD, BellTV® SD-HD)
- 3.2kW Onan® Diesel Generator in Place of Standard 3.6kW LP (N/A with 4-Point Leveling Jacks)
- Solar Panels - Two 100 Watt with 30 Amp Controller

Key Dimensions:	24FW	24RW
GWR	11,030 lbs.	11,030 lbs.
GCWR	15,250 lbs.	15,250 lbs.
GAWR - Front	4,080 lbs.	4,080 lbs.
GAWR - Rear	7,720 lbs.	7,720 lbs.
Overall Length	24'7"	24'7"
Overall Width	94"	94"
Wheelbase	170"	170"
Overall Exterior Height	11' 4"	11' 4"
Interior Height	81"	81"
Fuel Capacity	26.4 Gal.	26.4 Gal.
Water Capacities (Gal.)		
Fresh/Gray/Black	35/32/32	35/32/32
LPG Capacity	20.3 Gal.	20.3 Gal.
Awning Length	16'	16'

Please refer to the back cover for chart definitions.

Décor Selections

