



ADVENTURER

WINNEBAGO



On the Cover: 29B Wedgewood Full-Body Paint

Interior: 29B Ultrafabrics® UF2® Premium Leatherette with Driftwood Cabinetry

Back and
better than ever:
The ultimate Class A
gas coach returns

The Winnebago Adventurer® is back, packed with user-friendly features and more value than ever before. The Adventurer's five family-friendly floorplans offer plenty of living space and ample storage, whether you're planning a weekend getaway or the trip of a lifetime. The gas-powered Adventurer is loaded with features and amenities typically reserved for diesel

pushers, including full-body paint with chrome mirrors, Corian® countertops in the galley, Ultrafabrics-covered furnishings, Versa driver's seat, MCD solar/blackout roller shades, and much more. If you prefer a gas coach but want diesel-level amenities at a terrific value, the new Adventurer is built for you.

ADVENTURER

Spacious, family-friendly floorplans make your home away from home comfortable and inviting.



Corian Countertops are beautiful, durable, long-lasting, and easy to maintain.



Versa Driver's Seat offers optimal seatbase placement with enhanced range of motion, driving comfort and easy-swivel to become an integral part of the living space.



BenchMark® Dinette with Hi-Lo Table features Ultrafabrics UF2 Premium Leatherette with superior innerspring seat construction, and provides additional storage and sleeping space.



Walkaround Queen Bed (available King in 36Z) features a foam mattress (and plenty of storage below), so you can sleep well in the spacious bedroom.



Available Powered StudioLoft™ Bed with 600-lb. capacity turns the cab of your coach into a second bedroom.



10" Bluetooth® multimedia radio/rearview/sideview monitor system with color touch screen includes: iPod®/MP3 input, SiriusXM®- ready, AUX, USB, Apple CarPlay®, and Android Auto.™



TrueComfort+ Sofa Sleeper; good by day and good by night.



Memory Foam Sleeping Surface makes it easy to convert from a sofa to a comfortable bed and back again.

BUILT FOR THE LONG HAUL: THE WINNEBAGO WAY

No one knows RVing like Winnebago®. Here's why smart RVers have chosen Winnebago for more than 60 years.

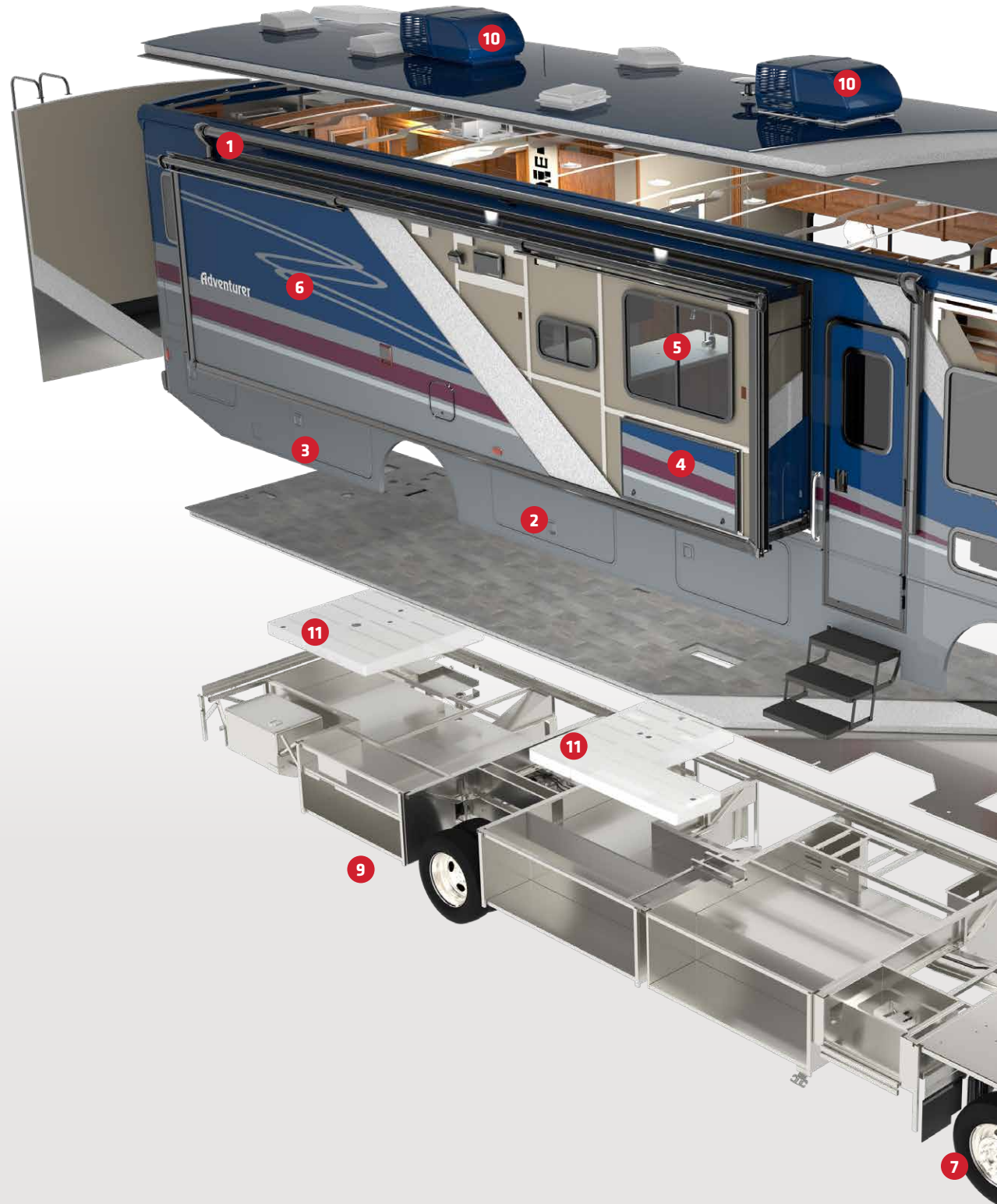
REAL-WORLD SOLUTIONS

Winnebago has pioneered hundreds of innovations to improve the RV experience. Our FlexBed™ System offers multiple sleeping options. Our BenchMark Dinette with Hi-Lo table adjusts to desired height and includes tabletop storage. The TrueLevel™ monitoring system takes the guesswork out of holding tank readings.

Exclusive innovations like those maximize storage and living space, enhance quality, and provide flexibility so you can configure and use your RV the way you want to.

SMARTSPACE DESIGN

Our SmartSpace™ design approach makes the most efficient use of the space in each coach. This has led to the creation of features such as the BenchMark® full-comfort dinette, with hidden storage compartments below its flip-up seats; full-extension drawer slides; and our extendable sectional sofa.





1 Powered Patio Awning with LED lighting

2 Slam-Catch Handles allow convenient opening and closing of storage compartment doors

3 Exterior Compartments that house holding tanks are heated and closed off

4 Exterior Entertainment 32" HDTV, two speakers, DVD player, AM/FM radio (NA 30T)

5 Dual-Pane Thermo Windows are more energy efficient to enhance heating and cooling

6 Full-Body Paint with chrome mirrors

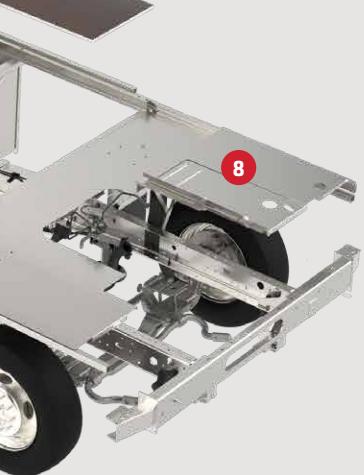
7 Wheels Stainless steel (27N, 29B, 30T); Aluminum (35F, 36Z)

8 Ford® F53 Chassis 7.3L V8 engine, TorqShift™ Hydro-Boost System power brakes, 4-wheel ABS, 210-amp. alternator (27N, 29B, 30T) 7.3L V8 engine, TorqShift™ Hydro-Max System power brakes, 4-wheel ABS, 210-amp. alternator (35F, 36Z)

9 Leveling System automatic hydraulic jacks

10 A/C two 13,500 BTU

11 Custom Holding Tanks improve weight distribution and handling, increase storage space



TrueLevel sonar holding tank level sensors won't corrode like in-tank sensors



Holding tank fittings are spin-welded for water-tight connections



Resettable circuit breakers eliminate fuses



Wiring labeled and spliced to automotive standards

SUPER STRUCTURE[®]

WINNEBAGO'S QUALITY CONSTRUCTION

Exclusive steel SuperStructure surrounds the cab with a strong, durable support system delivering industry-leading safety and security.

1 Thermo-Panel Sidewalls Layers of fiberglass and high-density block foam insulation with welded aluminum support structures to create strong, durable, and lightweight sidewalls.

2 Solid Framework Structural extruded aluminum creates an extremely strong, solid frame.

3 Embedded Steel Metal substructures are embedded into the sidewall to provide solid attachment points to keep cabinets and appliances mounted securely in place.

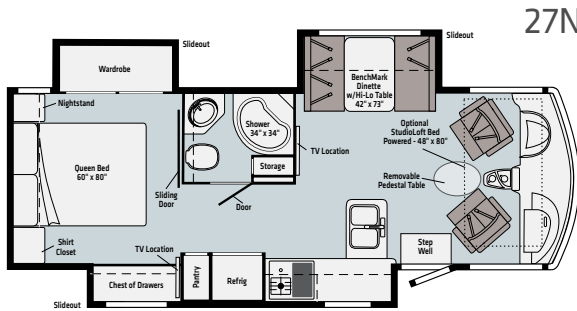
4 Interlocking Joints Connects the floor, sidewalls, and roof to evenly distribute the weight of the roof along the entire span of the walls.

5 E-Coat An electrodeposition coating helps protect critical steel components from corrosion, inside and out.

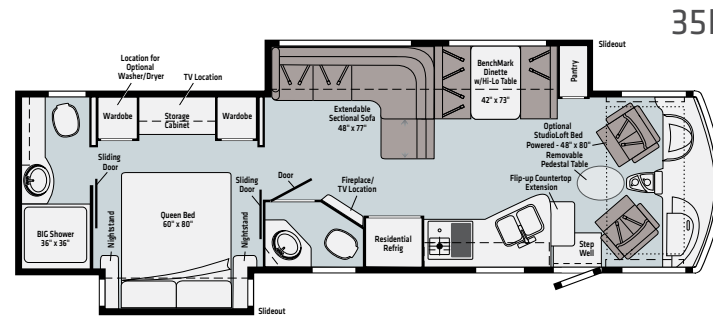
6 Laser-Cut Tubing Our precision laser cutters create precise joints in structural steel that are stronger and require less welding.



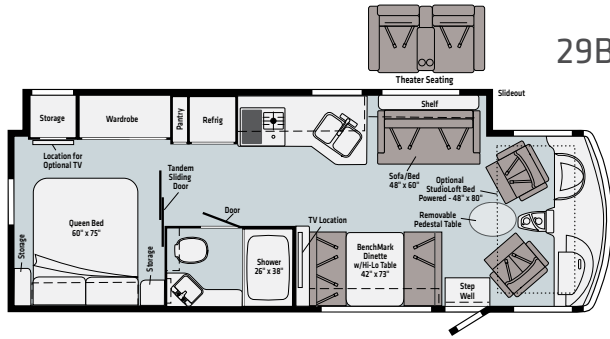
- **Structural Warranty** 3 yr./36,000 miles
- **Roof Warranty** 10 yr. parts and labor
- **Roadside Assistance** 1 yr. complimentary
- **Safety Features** child seat tether anchors, LP, Smoke and carbon-monoxide detectors



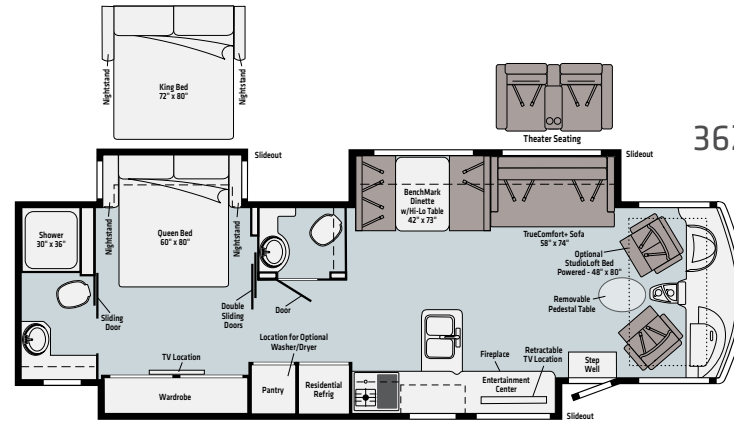
27N Length 28'5"
 Ext. Height 12'2"
 Ext. Storage (cu. ft.) 123
 GCWR (lbs.) 23,000
 GVWR (lbs.) 18,000
 GAWR - Front (lbs.) 7,000
 GAWR - Back (lbs.) 12,000



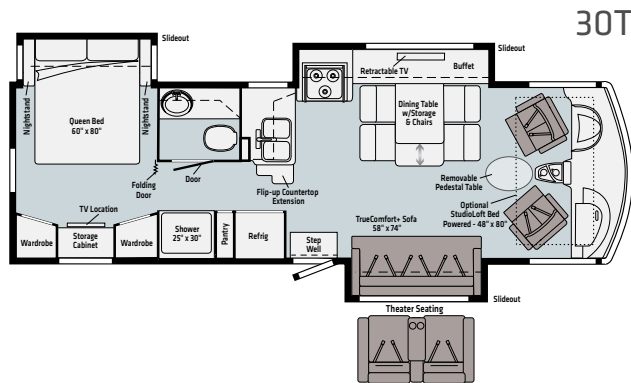
35F Length 35'5"
 Ext. Height 12'5"
 Ext. Storage (cu. ft.) 137
 GCWR (lbs.) 26,000
 GVWR (lbs.) 22,000
 GAWR - Front (lbs.) 8,000
 GAWR - Back (lbs.) 15,000



29B Length 30'3"
 Ext. Height 12'2"
 Ext. Storage (cu. ft.) 145
 GCWR (lbs.) 23,000
 GVWR (lbs.) 18,000
 GAWR - Front (lbs.) 7,000
 GAWR - Back (lbs.) 12,000



36Z Length 36'10"
 Ext. Height 12'4"
 Ext. Storage (cu. ft.) 122.2
 GCWR (lbs.) 26,000
 GVWR (lbs.) 22,000
 GAWR - Front (lbs.) 8,000
 GAWR - Back (lbs.) 15,000



30T Length 31'
 Ext. Height 12'1"
 Ext. Storage (cu. ft.) 118
 GCWR (lbs.) 23,000
 GVWR (lbs.) 18,000
 GAWR - Front (lbs.) 7,000
 GAWR - Back (lbs.) 12,000

Weights | Measures

Ultrafabrics
 UF2 Premium
 Leatherette

Residential
 Vinyl Flooring

Exterior Width 8'5.5"
 Interior Height 6'8"
 Interior Width 8'0.5"

Dashed lines denote overhead storage areas. Floorplans and specifications are also available online at Winnebago.com.



Winnebago.com
 Has All The Answers

Visit us online for all the latest product information.



Frostgray
FULL-BODY PAINT



Sable
FULL-BODY PAINT



Nightshade
FULL-BODY PAINT



Wedgewood
FULL-BODY PAINT

Canvas with Light Ultrafabric



Ultrafabrics UF2 Premium Leatherette



Feature Fabric



Bedsread



Corian Countertop

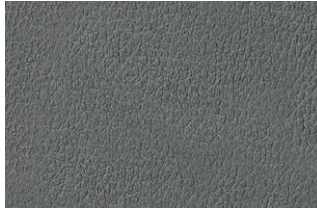


Residential Vinyl Flooring



Driftwood 2

Midway with Grey Ultrafabric



Ultrafabrics UF2 Premium Leatherette



Feature Fabric



Bedsread



Corian Countertop



Residential Vinyl Flooring



Sonoma

Winnebago® reserves the right to change décor materials and specifications without notice or obligation.

**Winnebago.com
Has All The Answers**

Visit **Winnebago.com** on your computer, smartphone, or tablet for the latest product information and updates.



Go to Winnebago.com for the latest information. Because features, specifications, equipment, and options may vary from those highlighted in this brochure, the buyer is responsible for confirming with the dealer the features, specifications, equipment, and options included in their specific vehicle. In addition, Winnebago's program of continuous product improvement may result in changes to vehicle specifications, equipment, model availability, and price without notice.

FEATURED WINNEBAGO TRAVELERS

Nic and Jess Farish

Full-timers Nic and Jess Farish live and travel with young sons Bailey and Brady in their Winnebago Intent. Prolific writers, photographers and filmmakers, they are active on social media and host their own YouTube channel, among other activities.

"RVing was something we thought would happen in retirement," Nic said. "As our boys got older, we found ourselves telling them they could be and do anything when they grew up. And one day, we realized that we were not doing what we wanted to do."

So they did their research, found their perfect RV, and off they went!

Learn more about the Farishes at *WinnebagoLife.com*. You'll also find hundreds of other great stories, how-to articles, gear reviews, RVing tips and much more from GoLife's outstanding contributors.



To learn more about the Farishes' adventures, visit:

GoLife

WinnebagoLife.com/about

WINNEBAGO

Winnebago.com

©2020 Winnebago
Printed in USA
1/2021