

2003

Grand Tour / Grand Tour Elite Series Repair Parts Catalog



Grand Tour Models

3758 Carmel 10'

3751 Mesa 12'

3789 Santa Fe 10'

3781 Utah 12'

3796 Cheyenne 10'

3791 Sun Valley 12'

3794 Westlake 12'

Grand Tour Elite Models

3778 Bayside 12'

3795 Niagara 12'

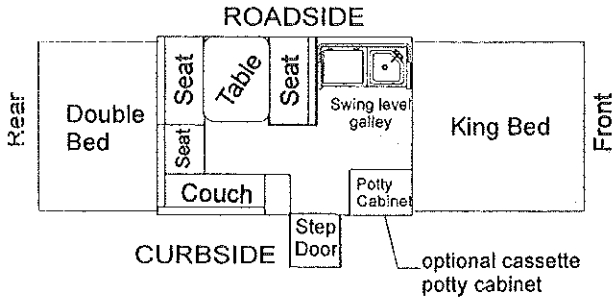
3757 Monterey 12'



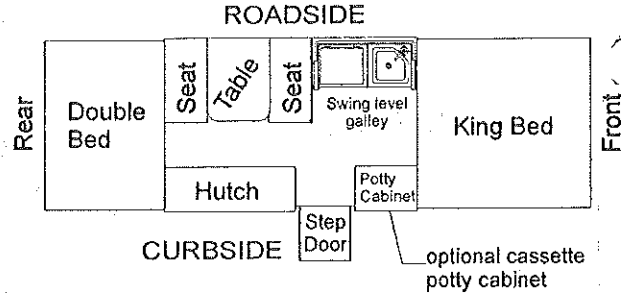
Coleman and the Coleman Parallelogram are registered trademarks of the Coleman Company, Inc., Used under license.

2003 GRAND TOUR SERIES

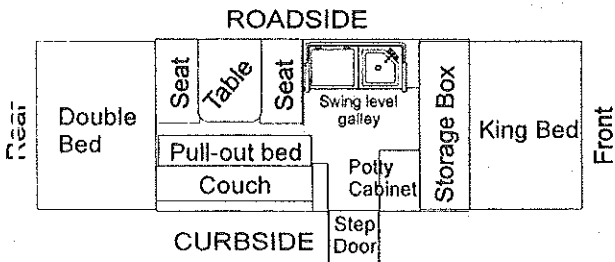
3758 Carmel 10'



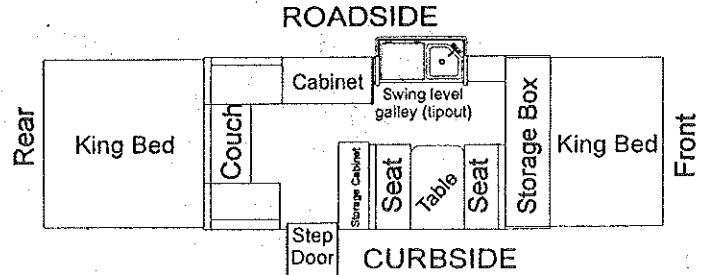
3789 Santa Fe 10'



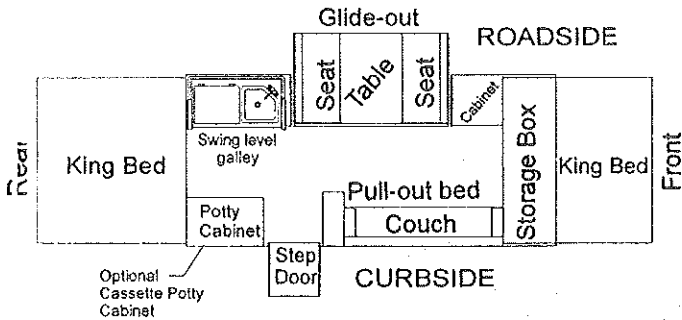
3796 Cheyenne 10'



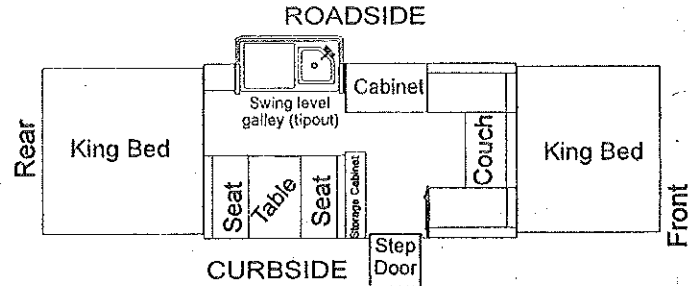
3751 Mesa 12'



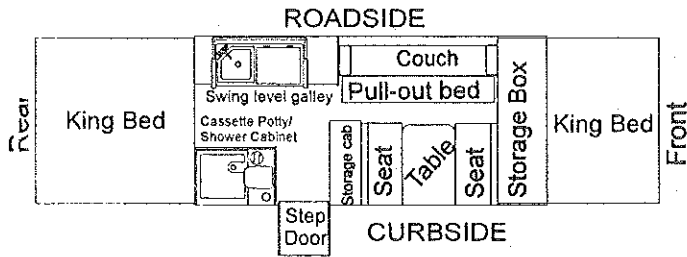
3781 Utah 12'



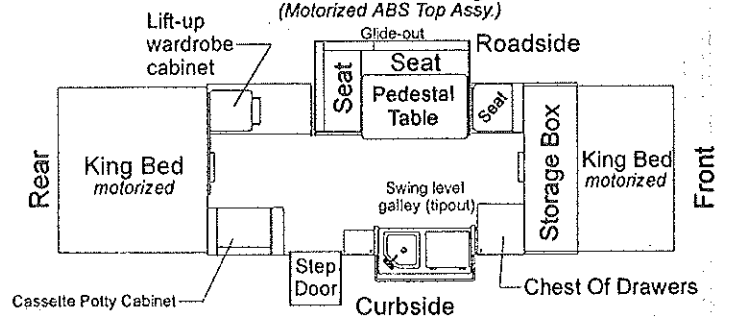
3791 Sun Valley 12'



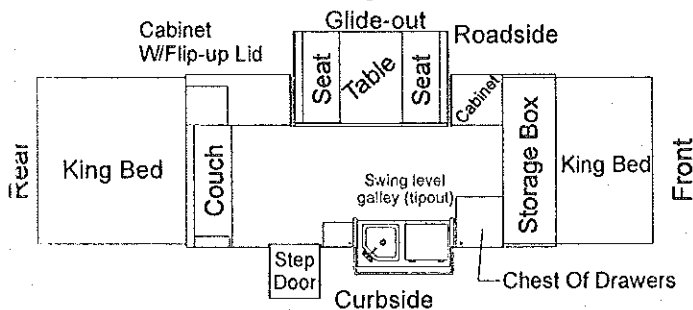
3794 Westlake 12'



3757 Monterey 12'



3778 Bayside 12'



3795 Niagara 12'

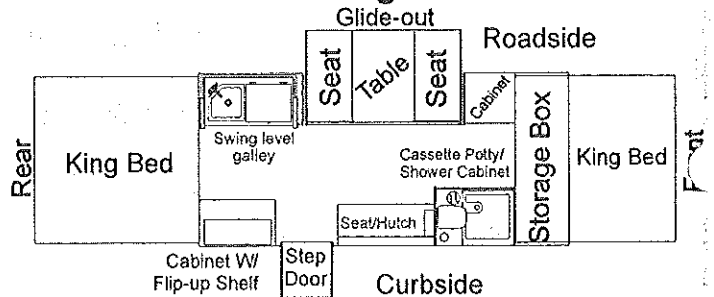
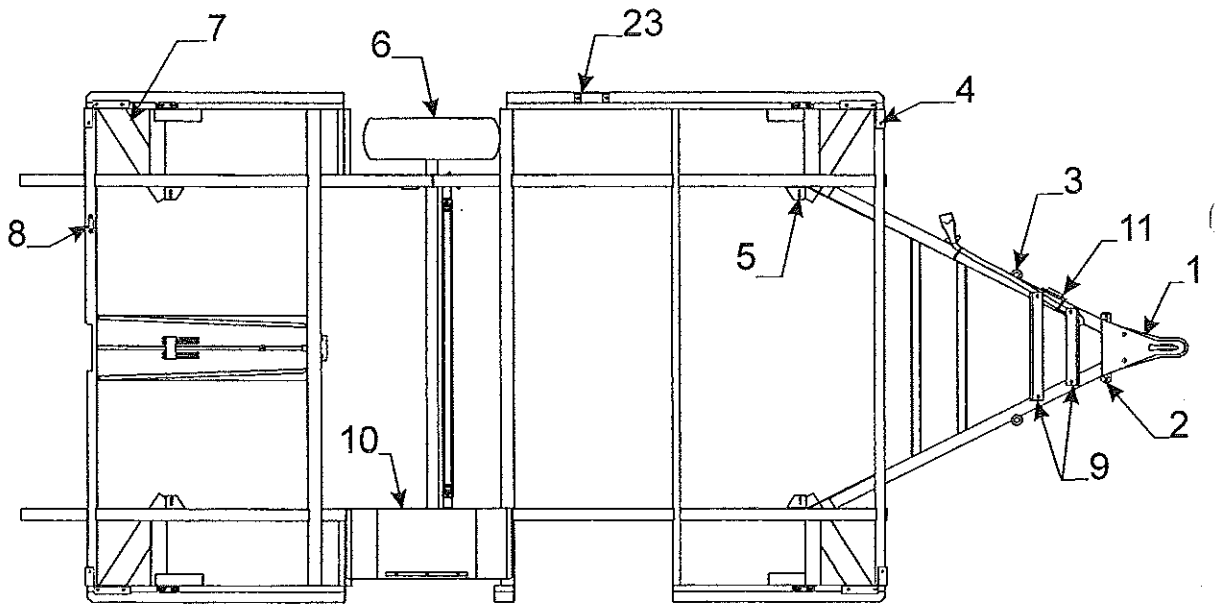


TABLE OF CONTENTS

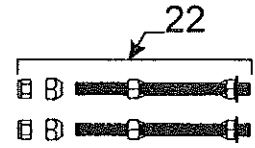
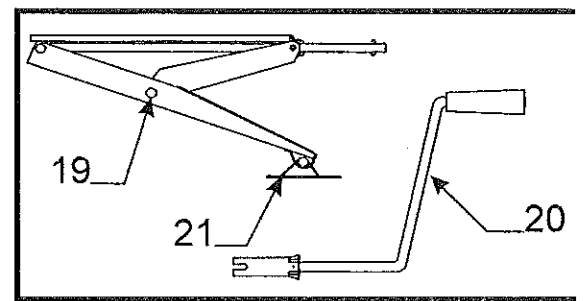
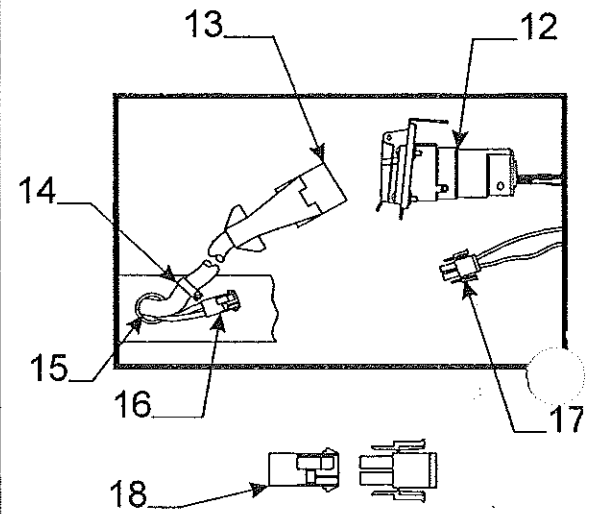
<u>DESCRIPTION</u>	<u>PAGE</u>
Access door key	34
Access door assembly & related parts	10
Auto extension	35
Axle assemblies & related parts	6
Backrest assemblies & covers	38,39
Bed assemblies	32
Bed extensions & related parts	32
Bed/lift system components 3757	3, 15
Body panel right rear (curbside)	11
Body panel left side (roadside)	12
Body panel left side (glide-out models)	13
Body panel front & rear (ABS plastic)	9
Body panel storage box models (ABS plastic)	8
Body panel right front (curbside)	11
Bumper & related parts	9
Cabinet assembly (corner cabinets)	20,24
Cabinet assembly (csr cab. w/flip-up shelf)	25
Caulking	35
Converter & related parts	29
Cooler (built-in)	16,17,25
Corner bulkhead assembly	2
Coupler assembly	2
Crank components (upper crank)	5
Crank handle	2,10
Cushion assemblies & covers	38,39
Door bulkheads	12
Drain hose (used on sinks)	14
Drape packages & related parts	40
Drawer assembly components	29
Dressing room curtain	40
Electric brakes & related parts	6,7
Fire extinguisher & components	21
Floor covering	2
Frame assembly & related parts	2
Gas detector	28
Gas hose (gas bottle hook-up)	34
Gas bottle mounting brackets	34
Gas quick disconnect (outside stove)	35
Gas bottle cover (molded ABS)	37
Gas bottle cover (black vinyl)	35
Gas bottle & related parts	35
Glide-out & related parts	13
Grease cap (dust cap)	6
Hub assembly & related parts	6
Hub caps	2
Hutch assembly (doorway 3751,91,94)	23
Hutch assembly (roadside 3791)	22
Hutch assembly (roadside rear 3757)	26
Hutch assembly (curbside 3789)	21
Hutch assembly (curbside 3791, 96, 81)	22
Hutch assembly (roadside 3751,78)	25
Lift assemblies & related parts	4
Lift trim & miter covers	10
Lower galley components (3758,89,96)	16
Lower galley components (3781,94,95)	17
Lower galley components (3791 Sun Valley)	18
Lower galley components (3778,3751,3757)	19
Mattress assemblies & covers	32
Outside shower components	12
Paint (spray & quart can)	35
Paneling & trim	7
Parts package & components	34

<u>DESCRIPTION</u>	<u>PAGE</u>
Pigtail (car end)	2
Potty cabinet (3781,3789,3758,3757)	21
Potty "cassette" (3794,95,81,89,58,57)	21,24
Power bed/lift system components 3757	3,15
Power cord (converter)	29
Receptacle (exterior)	11
Receptacle (interior)	29
Refrigerator vents	12
Regulator & fittings	34
Safety chains	34
Screen door & related parts	31
Seat bench component parts	28
Shower curtain	40
Shower curtain rod (3794,95)	42,43,44,45
Shower stall w/potty (3794,95)	24
Shower head & hose	12, 24
Sink & related parts	14
Spare tire cover (molded plastic)	37
Spare tire mount package	34
Stabilizer assembly	2
Stabilizer handle	2
Storage box components	8, 7
Stove components (upper galleys)	14
Stove components (h.p. outside stove)	30
Table assembly & related parts	27
Table "pedestal" 3757 Monterey	27
Taillights (rear body panel)	9
Tent support assemblies & related parts	33
Tenting & related parts (sunbrella)	41
Thermostat (Hydro Flame)	28
Thrust nut & bearing	4
Tie backs (curtains)	40
Tipout & glideout tent bows	33
Tire & rim	2
Tire cover "black vinyl"	2
Tongue jack & related parts	3
Top assemblies & related parts	42,44
Trim tape kits	11,12
Upper crank assemble components	5
Upper galley assembly (3758,89,96)	16
Upper galley assembly (3781,94,95)	17
Upper galley assembly (3791)	18
Upper galley assembly (3751,57,78)	19
Valance package	40
Wardrobe cabinet assy. 3757 Monterey	26
Water heater	36
Water level monitor 3778,95	36
Water system & related parts	36
Wheel well	2
Whiffletree & related parts	4
Zippers (tenting assemblies)	41

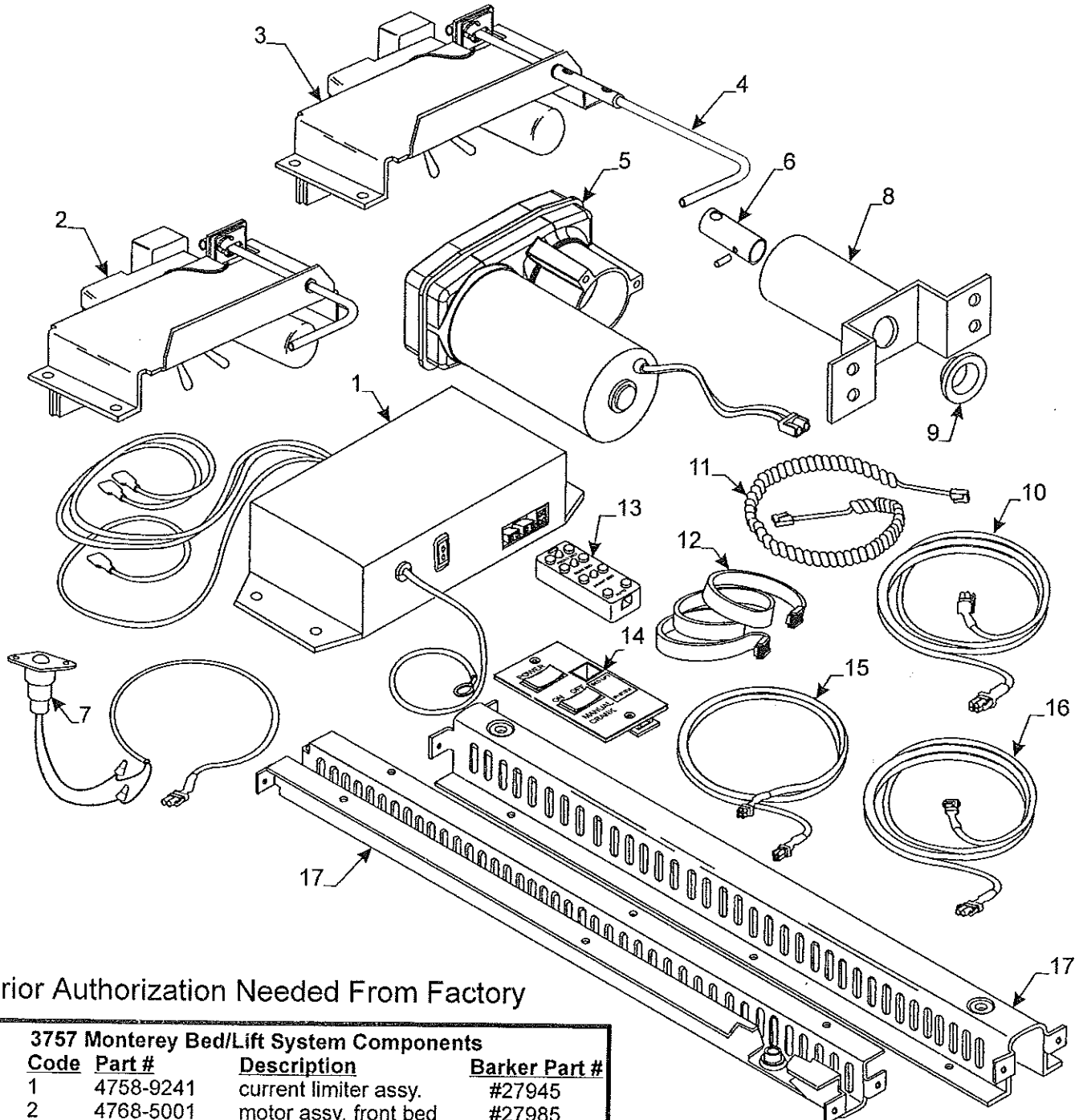
Axle/Brakes - Dexter	219/295-1900
Cassette Potty - Thetford	800/444-7210
Converter - World Friendship Co.	800/900-2468
Furnace - Hydro Flame #7916-11	800/546-8759
Mixer Faucet - Empire Brass	800/431-6440
Power Bed/Lift System - Barker	616/965-2371
Refrigerator - Dometic	800/216-5115
Stove - Atwood Greenbrier	800/646-8557
Stove - Vitco	877/825-8528
Tires - Duro	800/966-8473
Water heater - #5031E	423/775-2131
Yakima bike rack - to obtain repair parts .	800/925-4621



Flat Rate	Frame Assembly Code	Component Part #	Description
1.50	1	4742-2001	coupler assembly
.25		4714A2211	coupler repair kit
.75	2	4748-6611	chain bar w/pins
.75		4720A3561	chain bar w/o pins
.10	3	4758-0381	bed leg pin & washer
2.00	4	4754B6221	bulkhead csr/rsf (see note)
2.00		4754B6211	bulkhead rsr/csf (see note)
2.00		4754B6231	bulkhead csf (all box models)
2.00		4754B6241	bulkhead rsf (all box models)
		1203C8751	rivet m25 (rivet bulkhead to frame)
.75	5	4732E3671	adjustable pulley brkt. x4
.25		4715A5371	pulley & bearing m10
		4720C1578	short pin m4
		1204B1081	cotter pin m10
.25	6	4757-2468	tire & rim 13" id "C" 3758, 89, 96, 91
.25		4753D8168	tire & rim 13" id "D" 3751,78,81,94,95,57
		4716D8168	13" LR "D" tire only (less rim)
		4723D3161	13" tire cover "black vinyl"
		4757A2131	13" hub cap set (standard on elite only)
		4714-2131	13" hc attachment clips (pkg. of 8)
		4741-3268	2" valve extension
	7	4755B6641	stabilizer plate csf/rsr (all)
		4755B6651	stabilizer plate rsf/csr (all)
1.00	8	4758A5851	spare tire support
.25	9	4716A1751	frt./rear battery angle/rivets pkg.
2.00	10	4754D0531	wheel well x2 (all except 3789, 3758)
2.00		4754E0531	wheel well x2 (3789, 3758 only)
.75	11	4720B3331	jack brkt. (welded to tongue)
	12	4746A5591	pigtail - bargman (car end)
	13	4753B3751	trlr. wire harness - bargman
	14	1201-8708	3/8" clamp
		1203C8721	steel rivet m25
	15	4742-8108	1 1/4" snap bushing
	16	4716A5001	12 volt power harness
.15	17	4749B5531	12 volt wire harness m2
	18	4716A4701	12 volt cap & plug m2
.25	19	4751A3351	stabilizer assy. (screw down)
		4751-8208	tapping screw (3 per stab.)
	20	4747G4141	crank handle
.10	21	4755-6841	sand shoe (set of 4)
	22	4768-6721	spare tire mount kit
	23	4720J1531	side bulkhead



*6610007204P floor covering pkg. (7 1/2' x14')
 * Prior Authorization Needed From Factory



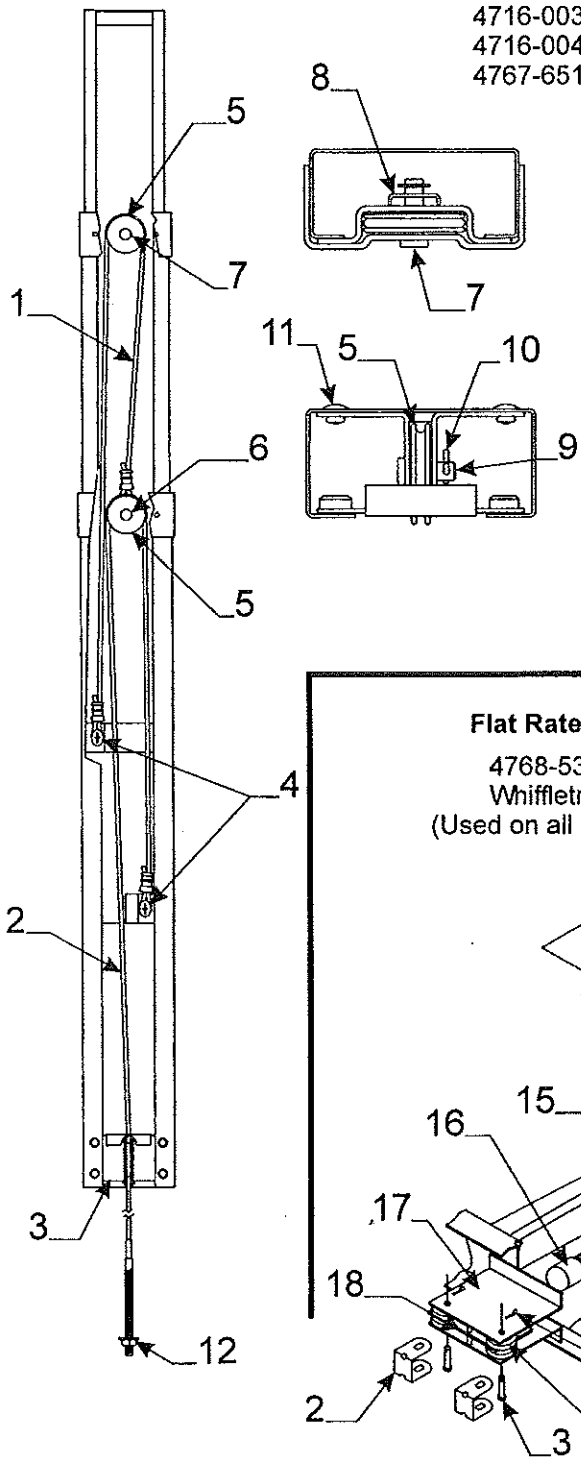
* Prior Authorization Needed From Factory

Flat Rate	Code	Part #	Description	Barker Part #
*	1	4758-9241	current limiter assy.	#27945
1.00	2	4768-5001	motor assy. front bed	#27985
2.50	3	4767-6451	motor assy. rear bed	#27970
.50	4	4758-3461	cam bar handle	#27997
1.50	5	4767-6461	power lift motor	#26259
1.50	6	4758-3521	ball screw adapter	#26308
1.25	7	4714-3181	roof sensor cable assy.	#28318
1.50	8	4758-9261	mounting weldment	#27985
1.00	9	4714-2661	flange bushing	#26266
*	10	4758-8171	rear bed cable assy.	#27986
*	11	4758-3481	8 pin coiled cord assy.	#3733-0042
*	12	4767-6481	control/face plate cable	#27994
.05	13	4758-3491	hand control assy.	#27955
.25	14	4767-6471	switch panel assy.	#27962
*	15	4758-3531	front bed cable assy.	#28086
*	16	4758-9251	roof motor cable assy.	#27995
.75	17	4767-6501	bed drive channel x2	#27980

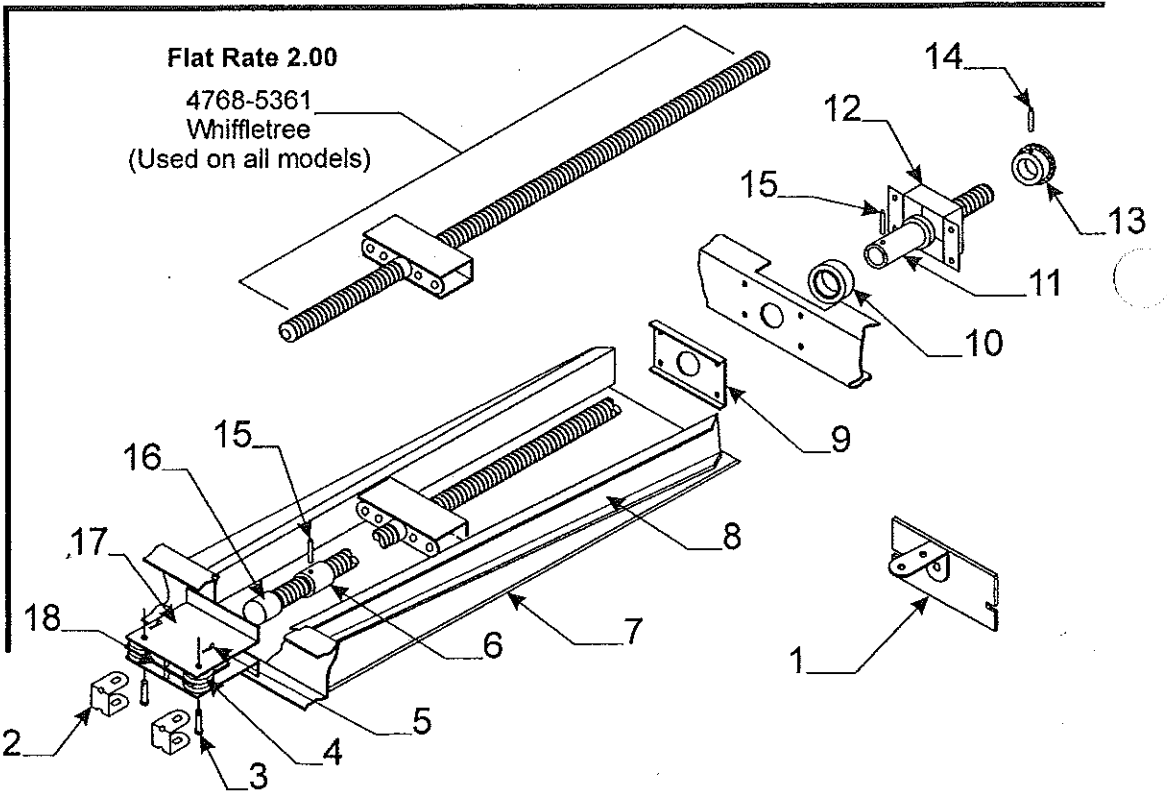
Barker Manufacturing Co
P.o. Box 460
Battle Creek Michigan 49016-0460
Phone: (616)965-2371 (800)537-9940
Fax: (616)965-2389

Flat Rate 1.25 Per Lift Assembly

- 4716-0031 lift assembly roadside rear/curbside front (all)
- 4716-0041 lift assembly roadside front/curbside rear (all except csf Monterey)
- 4767-6511 lift assembly curbside front (3757 Monterey)



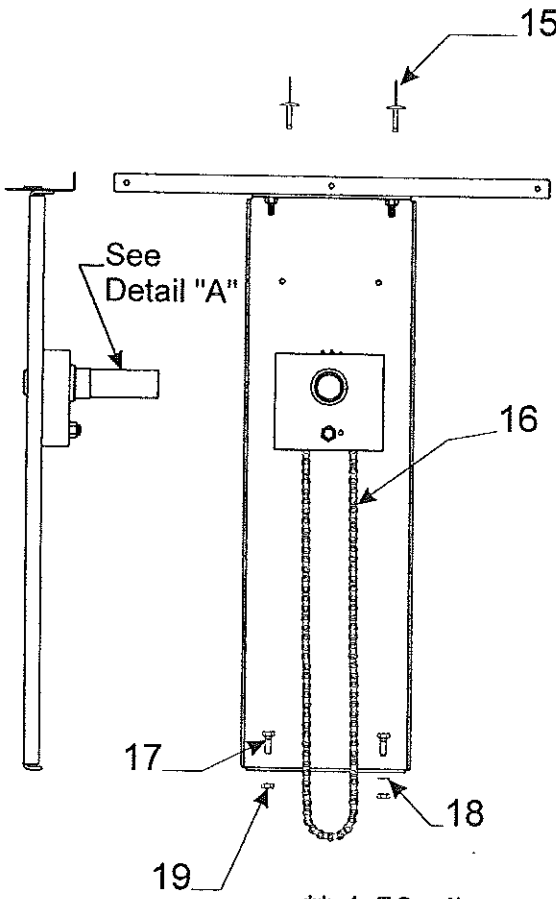
Flat Rate	Lift Assembly Code	Component Part #	Description
.75	1	4720D5271	cable assembly x1 m2
		4720C1691	cable crimp m20
1.25	2	4754A6121	184" long cable & crimp
		4744-1318	copper cable crimp m10
1.25	3	4731C5801	butterfly bracket assy.
.05	4	4749-2081	screw m6
.50	5	4715A5371	steel pulley & bearing m10
.25	6	4747-8931	long pin x2
		4730B0981	retaining ring m12
.25	7	4749-4061	short pin m4
		4730B0981	retaining ring m12
.25	8	4749A2028	retaining clip
.45	9	4720C1578	lift pin m4
	10	1204B1081	cotter pin m10
	11	1203-8641	rivet m25
	12	1201B6378	1/4" lock nut



Flat Rate 2.00

4768-5361
Whiffletree
(Used on all models)

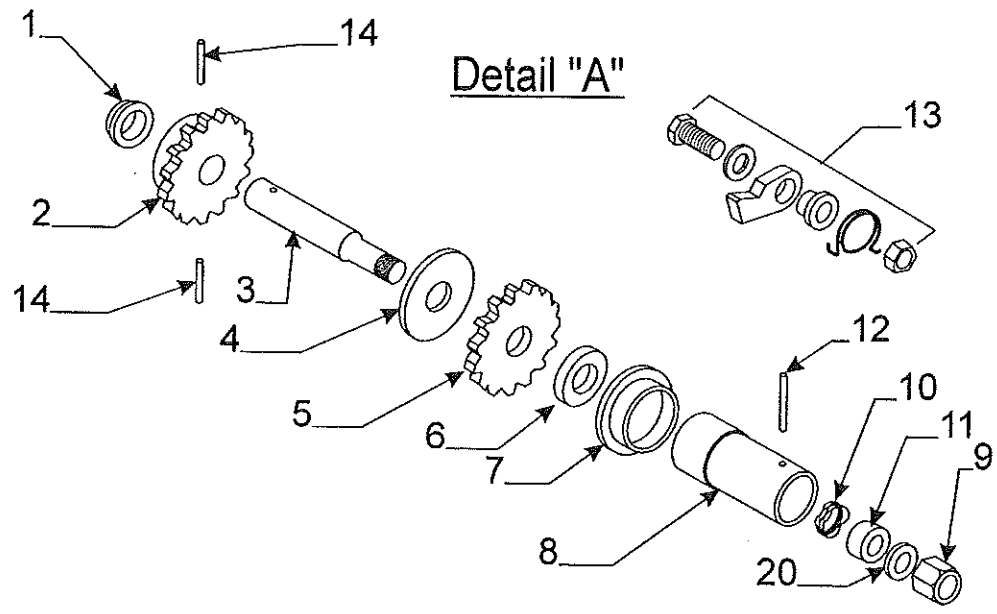
Flat Rate	Whiffletree & Related Parts Code	Part #	Description	Flat Rate	Code	Part #	Description
.15	1	4749A821	mud flap & brkt.	1.50	10	4720B2421	thrust nut bearing
.50	2	4744B1741	cable retainer x2	1.50	11	4720B2388	thrust nut
.20	3	4720J1561	long pin m4	1.50	12	4720B2408	bearing housing
.50	4	4715A5371	pulley & bearing m10	1.00	13	4730B3848	sprocket 12 tooth
.10	5	1204B1081	cotter pin m10		14	4720D1481	roll pin m10
1.60	6	4710B4248	bushing	1.00	15	4744A1301	shear pin m10
.25	7	4752B4921	whiffletree pan cover	2.00	16	4730D1291	screw socket (welded)
.25	8	4720F237	pan cover side (welded)	2.00	17	4720-1551	pulley plate
	9	4720C2418	plate	.50	18	4715D5661	pulley spacer



Flat Rate 1.50 complete assembly
4745M6101 crank & sprocket assy.

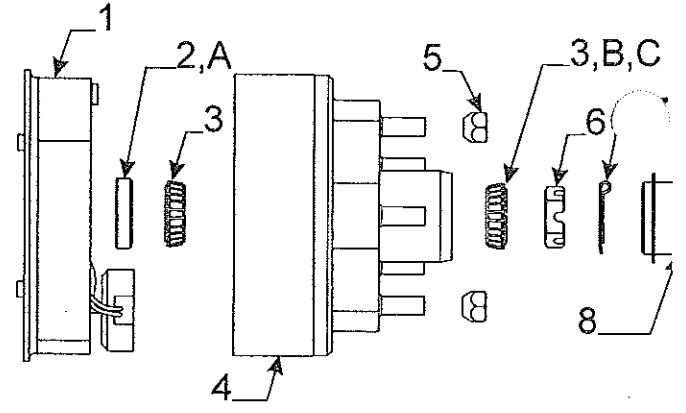
Flat Rate	Code	Part #	Description
**	1	4751-3501	shaft bushing
**	2	4730B3858	sprocket 24 tooth
**	3	4751-3521	drive shaft
**	4	4751-3561	pressure plate
**	5	4751-4831	ratchet wheel
**	6	4751-3581	pressure washer
**	7	4751A3591	shaft bushing
.75	8	4751-6511	drive hub extension pkg.
Note: package includes parts marked w/asterisk (*)			
	9	*4751-3551	hex head nut
	10	*4752-3921	handle spring m2
	11	*4751-4671	nylon washer
	12	*4747A9451	spiral roll pin m6
.60	13	4716-1221	ratchet pawl package
	14	4720D1481	roll pin m10
		4744A1301	shear pin m10
	15	1203C8721	rivet m25
1.50	16	4755-1431	chain (w/connecting link)
		4730A3811	connecting link
	17	4731-3878	hex head bolt x2
	18	1202B0438	washer
	19	1201B6038	hex head nut
**	20	*4757-3938	washer

** 1.50 all parts combined

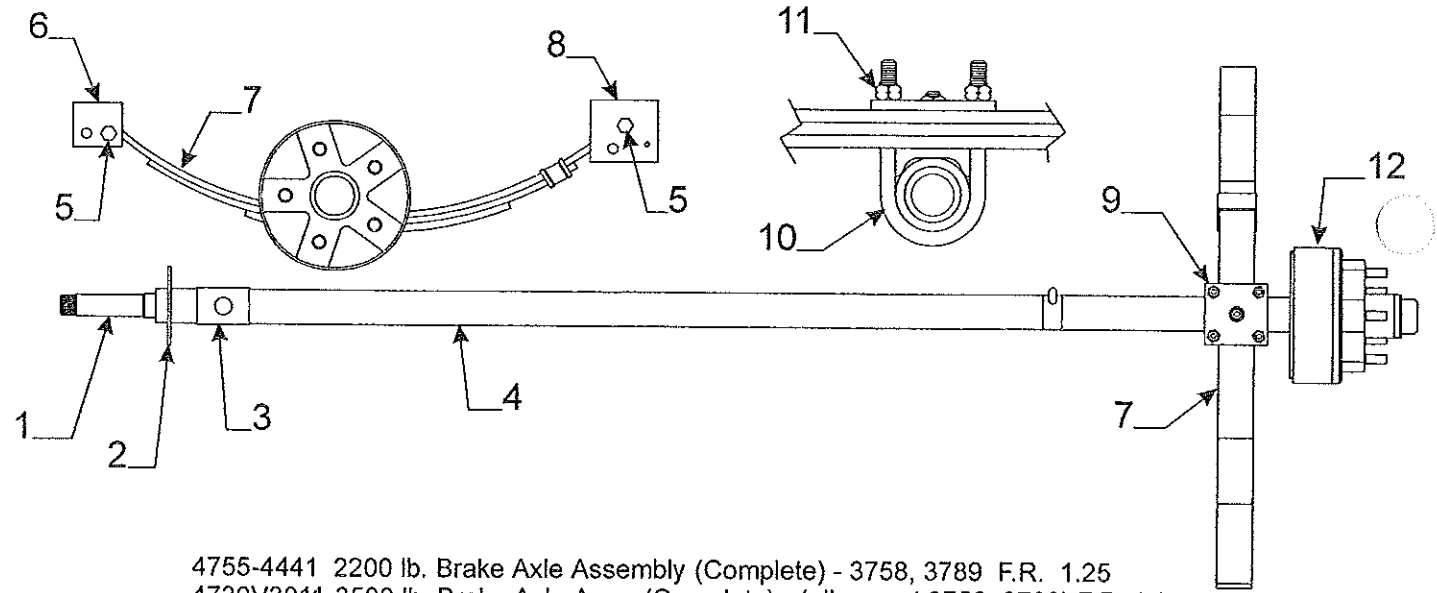


Flat Rate .50 Per Side			
Electric Brake Pkg. 7 x 1 1/4" (4714H2011)			
Electric Brake Pkg. 10 x 2 1/4" (4714J2011)			
Flat Rate	Code	Part #	Description
.50	1	4733A3521	7" brake assembly (right hand)
.50		4733A3531	7" brake assembly (left hand)
.50		4716-6251	10" brake assembly (right hand)
.50		4716-6261	10" brake assembly (left hand)
.50	2	4714A2201	7" grease seal x1 m4
.50		4716-1441	10" grease seal x1 m4
.50	3	4716-1101	7" bearing, race & seal pkg.
.50		4716-1451	10" bearing & seal pkg.
.30	4	4716A1071	7" hub & drum x2
.30		4716-1431	10" hub & drum x2
.05	5	4747A9528	lug nuts x5
.10	6	4714-3068	slotted spindle nut x1
.10	7	1204-1268	cotter pin x1
.05	8	4714B0621	dust cap m4

Note: Refer to page 7 brake shoe componer



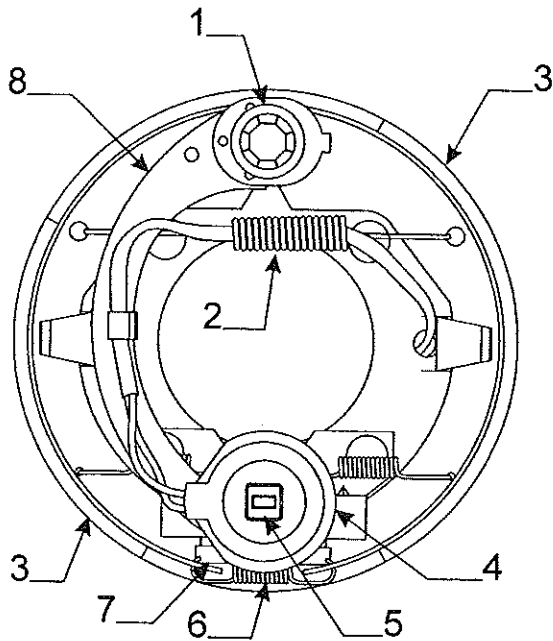
Crossover Numbers To Purchase Locally
A 13194TM or 198138SP21 Grease Seal (3758, 89 171255VB Grease Seal (all except 3758, 89)
B L44649 Bearing (3758, 89 x2 - all others x1 "oute L68149 Bearing (large inner x1 all except 3758, 8
C L44610 Race (3758, 89 x2 - all others x1 "outer") L68111 Race (large inner x1 all except 3758, 89)



4755-4441 2200 lb. Brake Axle Assembly (Complete) - 3758, 3789 F.R. 1.25
 4730V3011 3500 lb. Brake Axle Assy. (Complete) - (all except 3758, 3789) F.R. 1.25
NOTE: Axle Assy. 4730V3011 limited parts stocked
 refer to Dexter Axle for required part (s) phone - 219/295-1900

Axle & Spring Components							
Flat Rate	Code	Part #	Description	Flat Rate	Code	Part #	Description
*	1	4741B8491	spindle 2200 lb. axle	.75	7	4735G2201	leaf spring (3 ply) 2200 lb. axle
*	2	4741A8471	brake plate 2200 lb. axle	.75		4735H22081	leaf spring (4 ply) 3500 lb. axle
*	3	4741-8461	spring pad channel m2	2.00	8	4741C3398	spring shackle "front" (all)
1.00	4	4716F6251	axle beam 2200 lb. axle	.50	9	4741-8458	u-bolt plate 2200 lb. axle
.25	5	4737A1318	shackle bolt (all)	.25	10	4741A8438	u-bolt 2200 lb. axle
		4741-9498	shackle bolt nut (all)		11	4741-9358	u-bolt nut 2200 lb. axle
2.00	6	4741A3398	spring shackle "rear" (all)		12		Note: refer above for hub & components

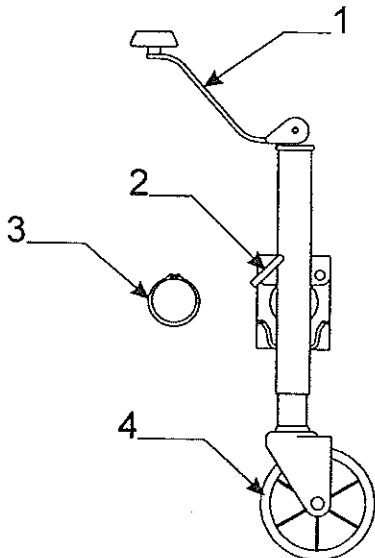
* PRIOR AUTHORIZATION NEEDED



Flat Rate .50 Per Side

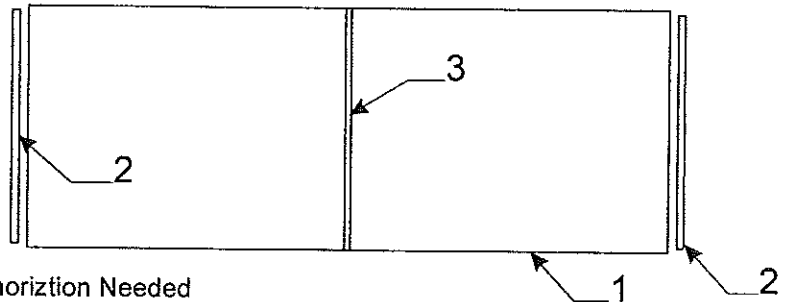
Electric Brake Components			
Flat Rate	Code	Part #	Description
	1	*4714A2461	anchor post clip m2
	2	*4714A2411	retractor spring
.40	3	*4714B2071	7" x 1 1/4" brake shoe (set)
.40		4716-2871	10" x 1 1/2" brake shoe (set)
.40	4	*4714D2451	7" magnet, spring & clip pkg.
.40		4716-2881	10" magnet, spring & clip pkg.
.30	5	*4714B2471	retainer clip m2
	6	*4714A2101	adjusting screw spring
	7	*4714A2041	adjusting screw
	8	*4714A2841	rt. & lt. lever arm pkg.
.30	9	*4714B2421	magnet housing spring (part not shown)

***Note: parts used on 7 x 1 1/4" brake only refer to Dexter Axle for 10 x 2 1/4" brake components - Phone 219/295-1900**



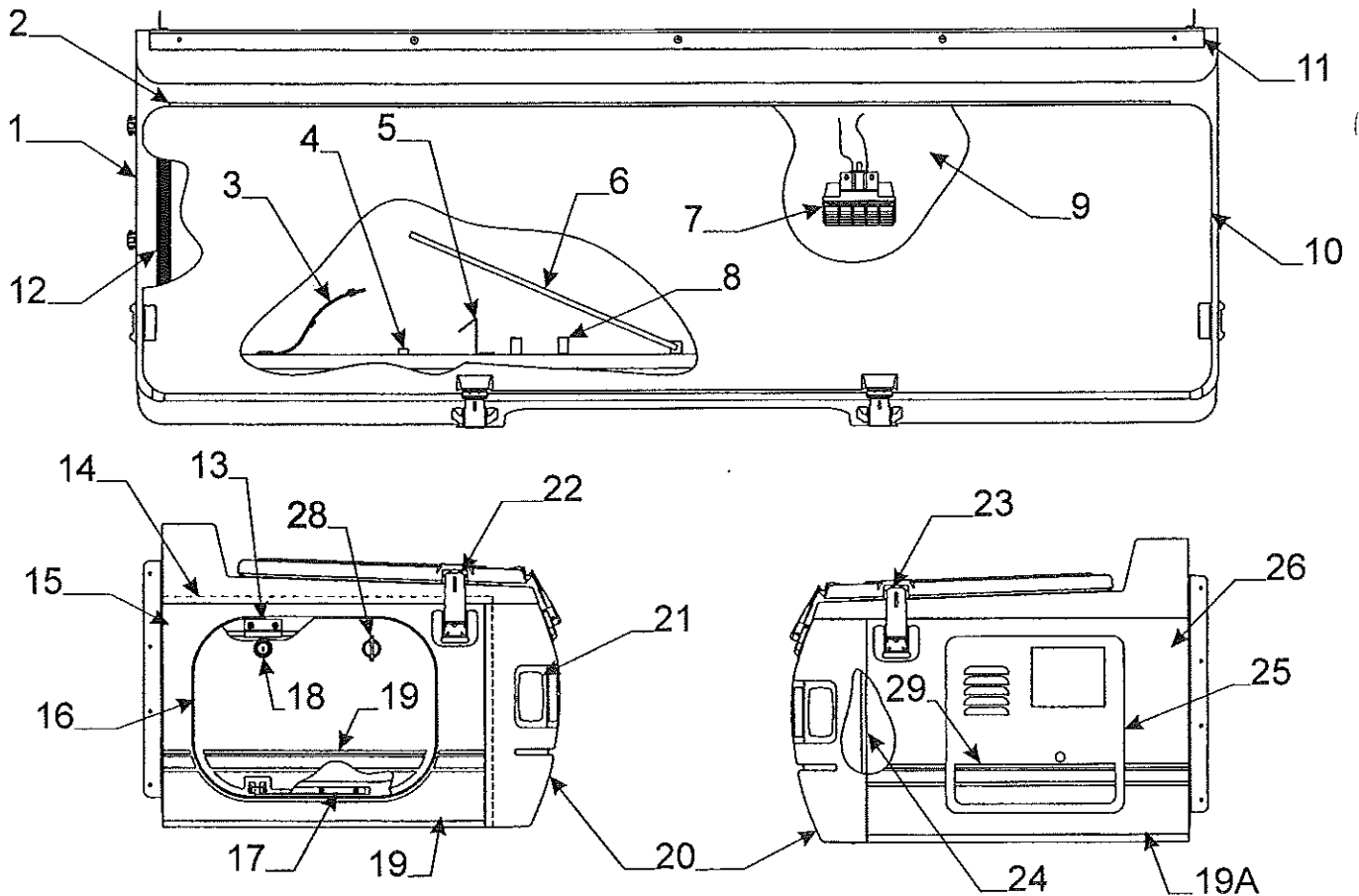
Flat Rate .10 Jack Removal

Tongue Jack Assembly (4720C6661) "Norco"			
Flat Rate	Code	Part #	Description
.15	1	4716-1951	jack handle kit
.15	2	4716-1981	locking plunger kit
.10	3	4720A3341	snap ring m2
.25	4	4716-1971	jack wheel nut & bolt



* Prior Authorization Needed

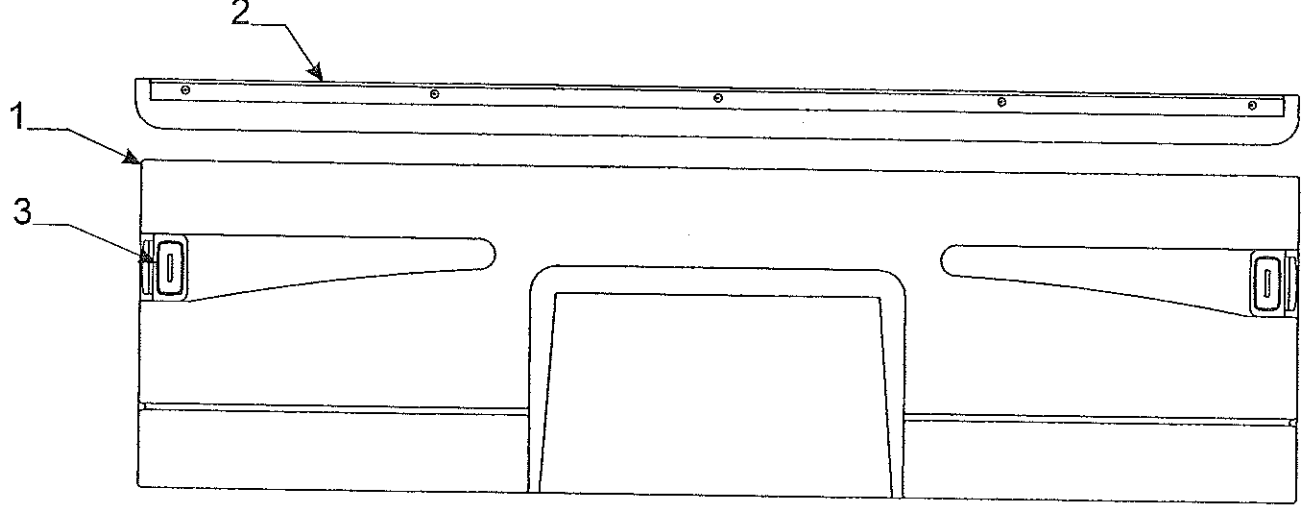
Paneling & Trim (Must Cut To Size)			
Flat Rate	Code	Part #	Description
*	1	4754E1361	side wall panel 5/32" x 48" x 23 13/16"
*		4716-3751	frt./rear wall panel 3/8" x 83 3/8" x 23 13/16"
*	2	4716C1321	universal corner divider m2 48" pc.
*	3	4716C1331	5/32" universal panel divider m2 48" pc.



Front Storage Box Assy. - 3751, 78, 81, 94, 95, 96, 57

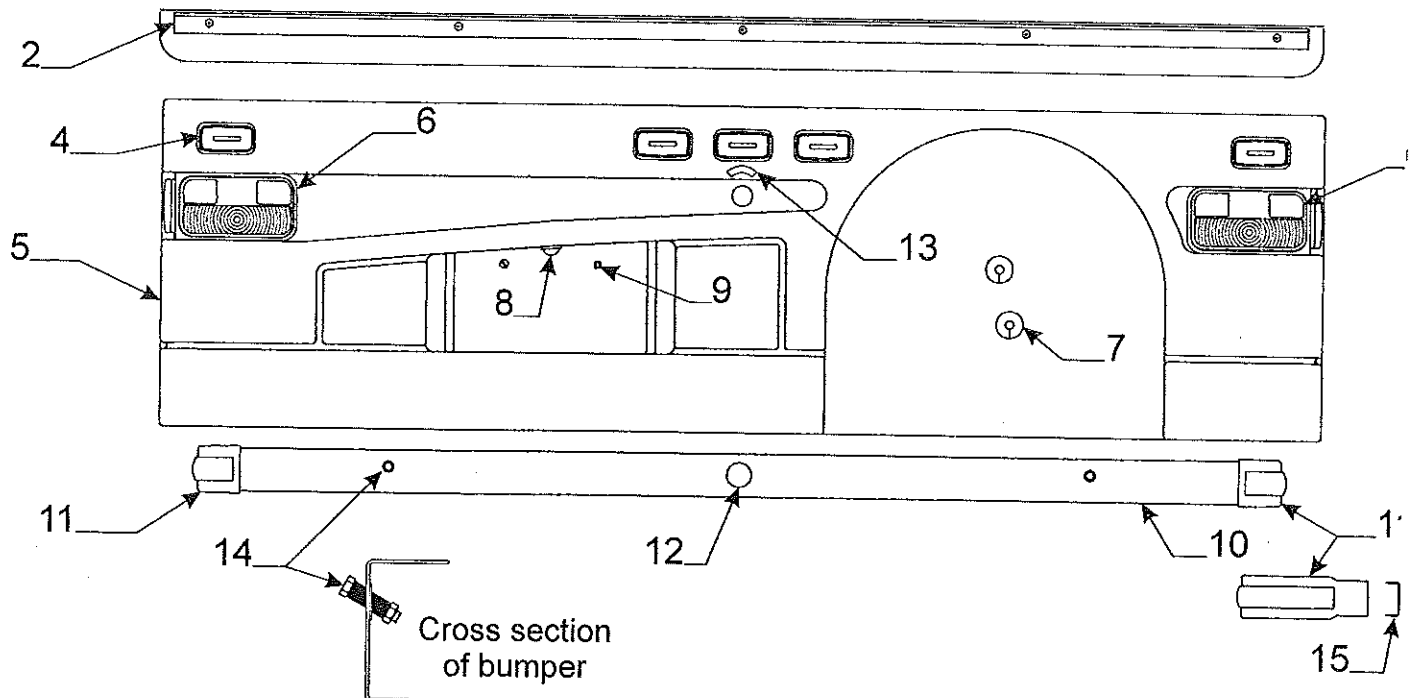
Flat Rate	Code	Part #	Description	Flat Rate	Code	Part #	Description
1.50	1	4753F5851	lid/deck assy. (Complete)				
.65	2	4753B1301	lid hinge				
		1014T10068	machine screw x13	.50	17	4060000615P	compart. door seal (6' pc. pkg.)
		1201B6958	keps nut x13			4757-1781	plastic door hinge
	3	4753D6391	stove strap	.15	18	4720D2361	hinge pin w/push nuts m2
.10	4	4720A0721	cooler clip m2		19	4751D8301	cam lock w/o-ring
	5	4753F2551	stove storage brkt.		19A	4758-4871	cs stor. box die cut
	6	4751B1181	prop rod	2.00	20	4350002003P	trim tape (16' pc.)
		4751-1208	push nut	.15	21	4754C1531	front ABS body panel (all)
		4751B1191	prop rod bracket	.15	22	4714J08481	amber lens & base
.25	7	4751-0921	cargo light		22	4741C6041	latch w/out lock tab x2
		4741D96568	expansion rivet m25	.15		4741A9101	hex head tek screw m10
.15	8	4734-2431	snap clip m4			4749B1441	strike m2 (used x4)
*	9	4716A1761	floor covering 4' x 7 1/2' pc.	.15	23	4741D96568	expansion rivet m25
.40	10	4060000588P	lid seal package (12' pc.)			4715F5051	latch w/lock tab
.75	11	4754E1041	end rail w/double stick tape			4744B 2468	screw x4
.40	12	4060000404P	deck seal pkg. (20' pc.)			1201B6958	keps nut x4
.25	13	4757A2021	storage door strike	*	24	4754C5601	front wood wall panel (all)
	14	4358800015P	vhb joint tape (16' pc. pkg.)	.25	25	4716-1331	water heater door
1.80	15	4754F1971	cs ABS box side panel	1.80	26	4754F1981	rs ABS side pnl.
.45	16	4757B1771	compartment door (less lock)	1.50	27	4754-2001	floor seam divider 86" pc.
			Note: door includes seal	.15	28	4758-0181	chrome thumb turn assy.
					29	4758-8541	heater door decal

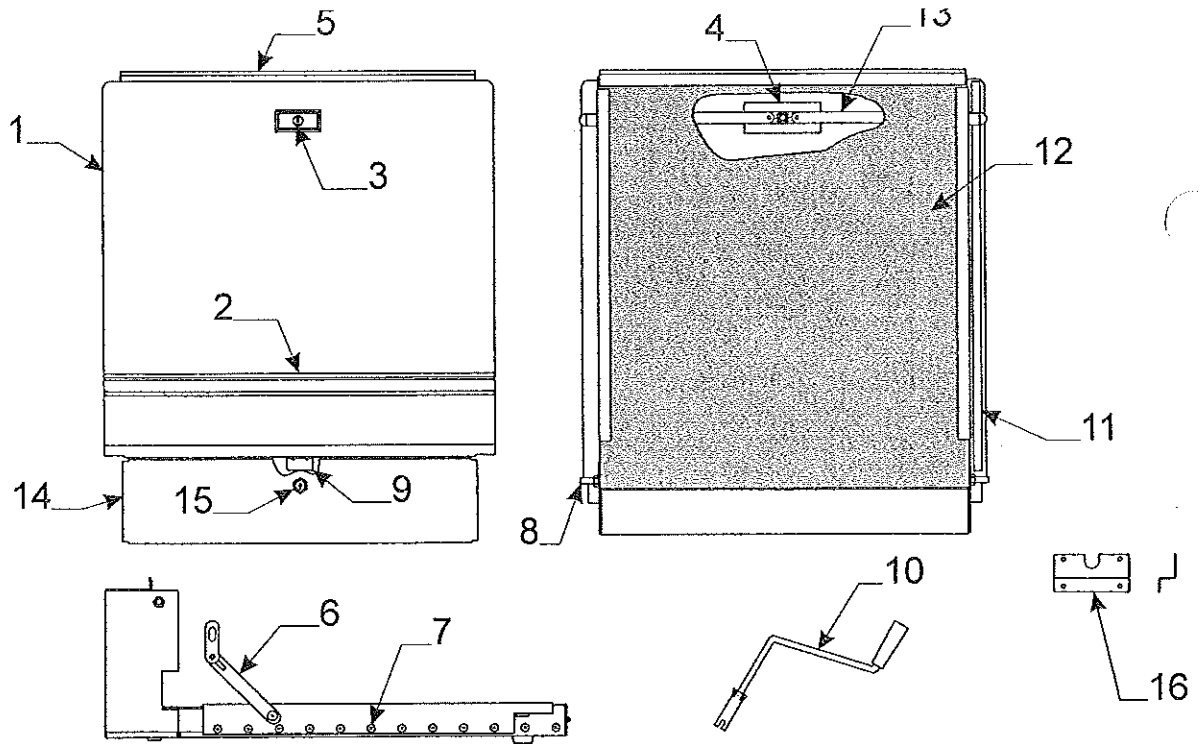
* Prior authorization from factory needed



* 1.50 Flat Rate Front Panel / 2.50 Rear Panel

Front & Rear Body Panel Components				Front & Rear Body Panel Components			
Flat Rate	Code	Part #	Description	Flat Rate	Code	Part #	Description
*	1	4757A1701	frt. body pnl. (except box models)	.10	7	4754-3871	foam gasket m2
			Note: refer to page 8 for frt. pnl. on box models	.15	8	4739B4311	tag light
.75	2	4754E1041	front end rail "white" (all)	.05	9	4732-1181	plastic grommet m4
		4350000079P	end rail tape (100' pc. pkg.)	.05		1121C1618	license plate screw x2
		1107E10128	10 x 3/4" screw "ss" (x5 per rail)	.30	10	4757-2381	bumper 3758, 89
.15	3	4714J08481	amber marker light x4	.30		4756D2371	bumper (all except 3758, 89)
.10		4716A4571	amber lens (lens only)	.10	11	4753C2051	bumper cap pkg. 3758, 89
.25		4733H1311	socket & harness	.10		4753C2041	bumper cap pkg. (all except 3758, 89)
		4747-2558	expansion rivet m25		12	4756-9761	2" hole plug "black"
.15	4	4714J08581	red marker light x7	.10	13	4730H3188	"open" decal
.10		4716A4561	red lens (lens only)	.10	14	4757-4531	bolt x2
			refer: to code # 3 for hardware	.25		4757-4541	bolt collar "black tube" x4
*	5	4758-9221	TPO rear body pnl. (All)			1202B1068	washer x2
.20	6	4749B4321	taillight			1201B6068	nut x2
.10		4716A1061	taillight lens		15	4757A3581	bumper brkt. (3758, 89)
		4747-2558	expansion rivet m25	.20		4757A3601	bumper brkt. (all except 3758, 89)





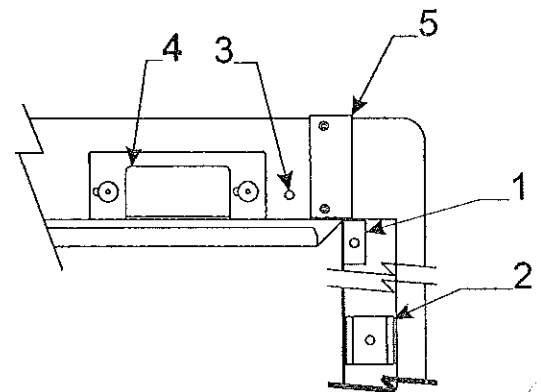
4754D6931 Access Door Assembly "complete" less trim tape

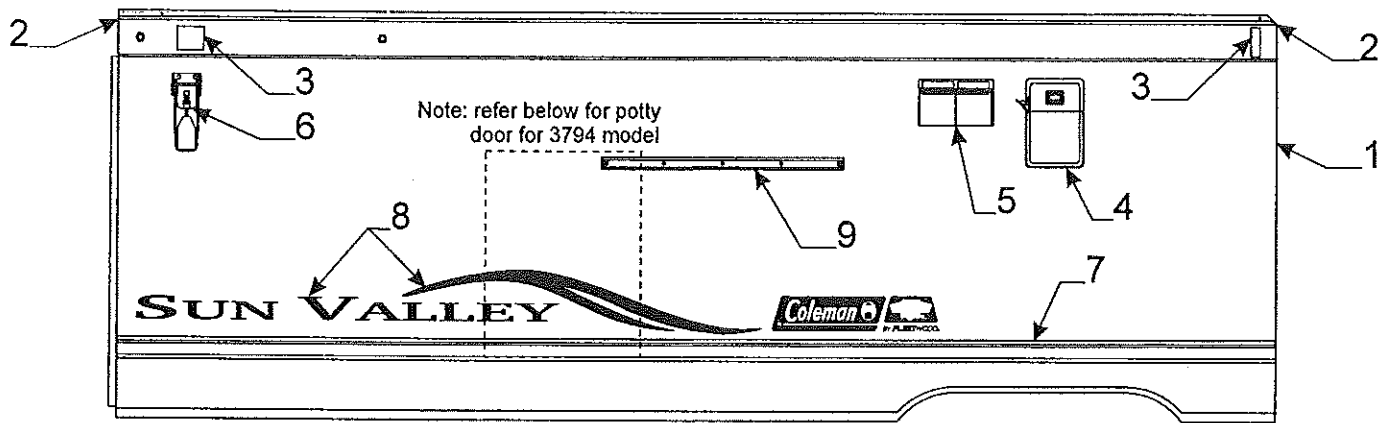
FLAT RATE 1.25 complete door assembly

Flat Rate	Access Door Component Parts	Flat Rate			
Code	Part #	Description	Code	Part #	Description
1.00	1	4754B4741 door skin	8	1006B2428 bolt x2	
	2	4350002003P trim tape pkg. (16' pc.)		1201B5188 nut (to affix bolt to door)	
1.00	3	4730C3111 lock handle (with key)		1201B6448 nut (affix door to to trailer)	
		4716-081 screw x2		1202B0468 washer m10	
		1201B6958 keps nut x2	.10	9	4747A2521 latch angle w/rivets
1.00	4	4741-1438 reinforcement plate	10	10	4747G4141 crank handle
.25	5	4757A9451 access door cap "arctic white"	.20	11	4060025006P foam tape pkg. (4' pc.)
		4733D0601 rivet m25 "arctic white"	1.00	12	4758-4711 step covering "black flextrex"
.15	6	4744-6981 swing arm pkg. (w/rivet & washer)	1.00	13	4741A6551 lock bar assembly
		1203C8721 rivet m25	.25	14	4754-6921 lower dr. w/hinges - less loc
		1202B0468 washer m10	.25	15	1203-8951 rivet m25 (affix door in plac
	7	4733G0601 rivet "black" m25		16	4751D8301 lock assembly w/o-ring
					4758-3571 step door light brkt.
					4714J08481 amber light assy.
					4747-2558 expansion rivet m25

*Bed rest used on units manufactured from Aug. thru Oct. 2002 only

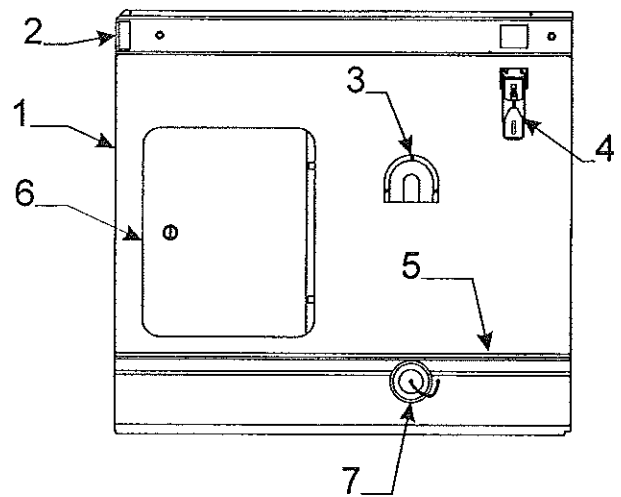
Flat Rate	Lift Trim & Bed Slides	
Code	Part #	Description
.15	1	4754A8491 plastic bed rest & screw
.15	*	4758-9641 plastic bed rest & screw 3757
.15	2	4754B8921 plastic bed ramp & screw
.15	*	4758-9641 plastic bed rest & screw 3757
	3	4755A4611 hex screw w/rubber washer m10
.25	4	4734N4111 lift trim, gasket & rivets m4
		4753A3941 rubber gasket m4
		4744D3301 rivet m25 "arctic white"
		4350000082P 1/4" x 1/4" foam tape (4' pc.)
.15	5	4757B3441 body rail end cap pkg. rt./lt.
		4734C1861 rivet m25 "arctic white"

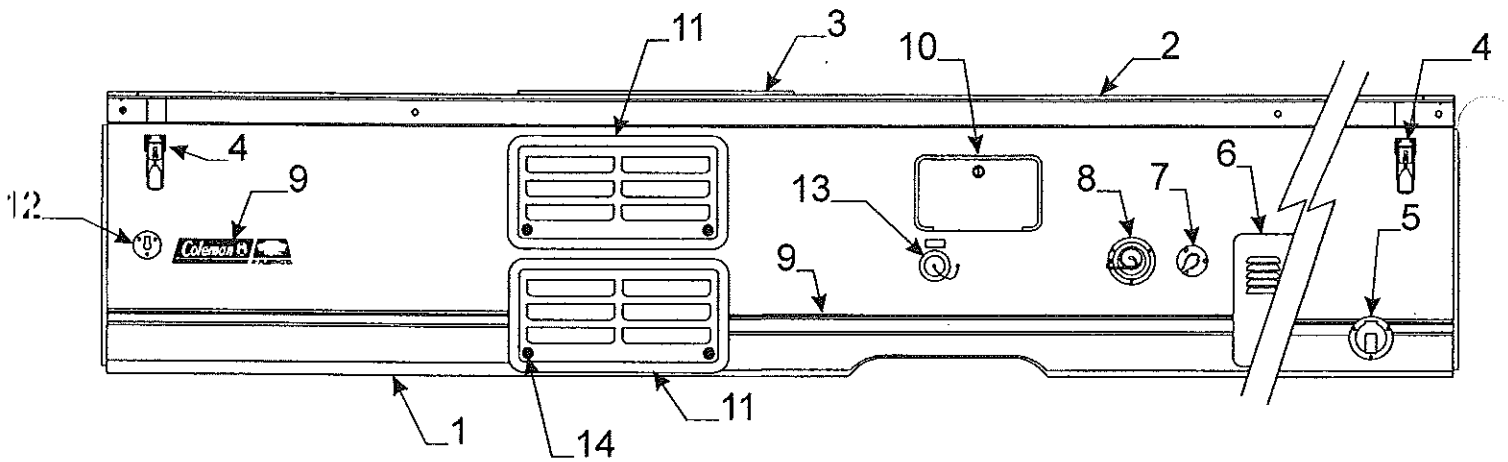




Flat Rate	Code	Part #	Description	Flat Rate	Code	Part #	Description
1.00	1	4754G0151	csr body panel 3758,89	.50	7	4716R2101	trim tape & hardware kit
.85		4756B4361	csr body panel 3751,81,78,95,57	.25	8	4758-2158	Carmel name decal 3758
1.00		4754G2131	csr body panel 3791	.25		4749M4438	Santa fe name decal 3789
1.00		4757E2441	csr body panel 3794	.25		4755D4728	Mesa name decal 3751
1.00		4754J1601	csr body panel 3796	.25		4755D4738	Utah name decal 3781
1.00	2	4754G0991	csr body rail 3758,89	.25		4757B8148	Sun Valley name decal 3791
1.00		4756B4331	csr body rail 3751,78,81,94,95	.25		4754F3808	Westlake name decal 3794
1.00		4754E2241	csr body rail 3791	.25		4751K0658	Cheyenne name decal 3796
1.00		4754F1561	csr body rail 3796	.25		4755D4818	CP decal 3758, 3789, 3781
1.00		4758A2591	csr body rail 3757	.25		4753G2348	Niagara name decal 3795
.10	3	4716-2771	vel-stick velcro pkg.	.25		4756E3498	Bayside name decal 3778
.25	4	4757A1881	porch light	.25		4758-2608	Monterey name decal 3757
.10		4716A1881	porch light lens	.25	9	4750A8481	stove support brkt.
.05		4716-1891	12 volt plug m4			4745-3968	screw
.25	5	4746A3861	duplex cover & outlet			4744C2461	torx screw m2
.35		4746-3871	duplex box			1201B6958	nut x2
		1203-8678	rivet m25 (rivet box to pnl.)				
.15	6	4741C6041	top latch (w/o lock tab)				

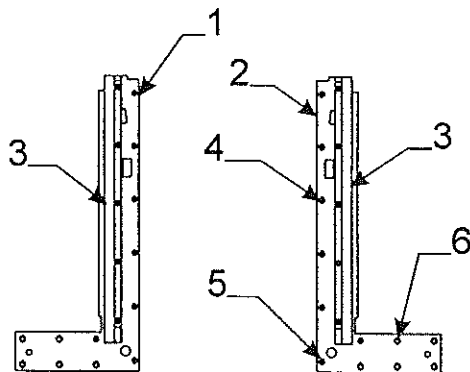
Flat Rate	Code	Part #	Description
.85	1	4754B8501	csf body panel 3758,89
1.00		4756C4351	csf body panel 3751,81,94
.85		4754D2121	csf body panel 3791
.85		4754D1581	csf body panel 3796
1.00		4755L0431	csf body panel 3795
.85		4755D3461	csf body panel 3778, 3757
1.00	2	4754G0981	csf body rail 3758, 3789
1.00		4758A0371	csf body rail 3751,81,94,95
1.00		4754E2231	csf body rail 3791
1.00		4755E3501	csf body rail 3778
1.00		4754G1571	csf body rail 3796
1.00		4758A2571	csf body rail 3757
		4716-2771	vel-stick velcro pkg.
		4757-9261	vent cover "plastic"
.15	4	4715F5051	top latch (w/lock tab)
.50	5	4716R2101	trim tape & hardware kit
.50	6	4759-6341	potty hatch dr. 3795, 3794
		4733D0601	rivet m25
		4757-8711	frame angles x2
		4350000028P	3/4" butyl tape pkg. (6' pc.)
		4060000402P	black d-seal pkg. (6' pc.)
.15		4754-4911	lock & o-ring
.10	7	4714A2861	cap & strap



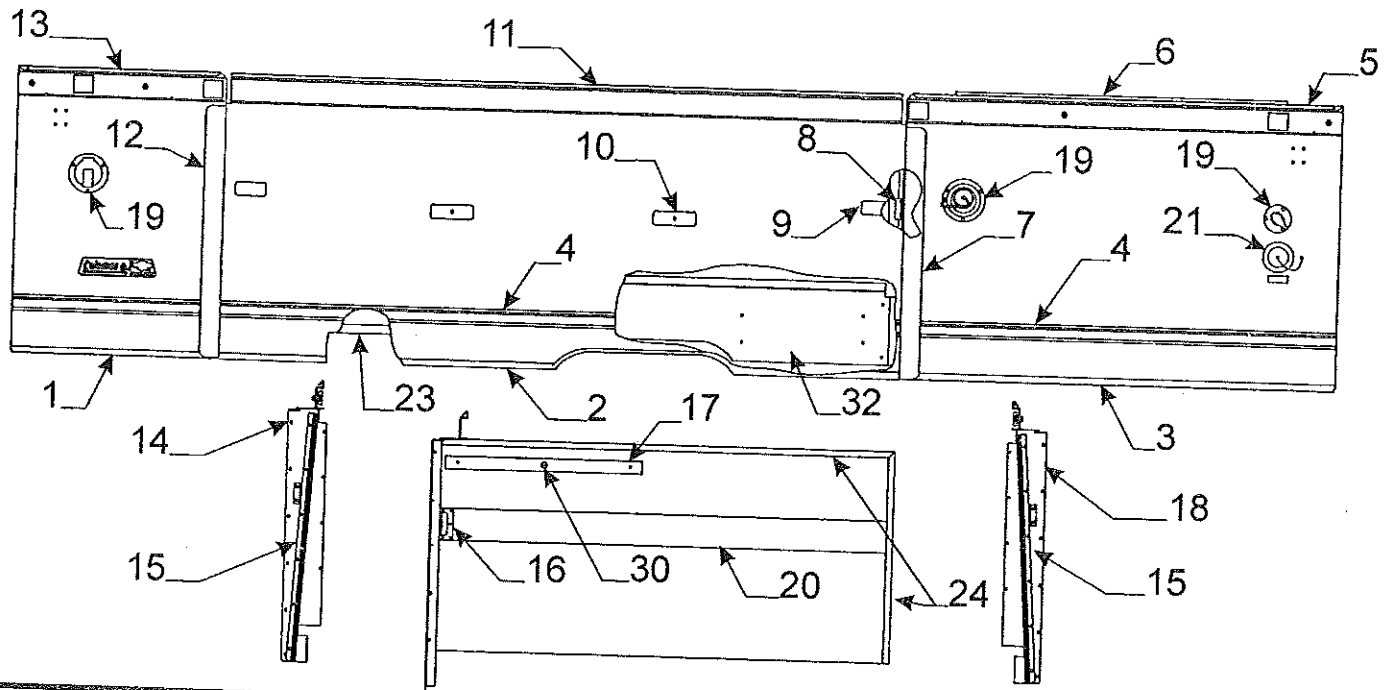


- * Add .50 with water heater
- * Add 1.00 for reefer vents
- * Add .50 for heater vent

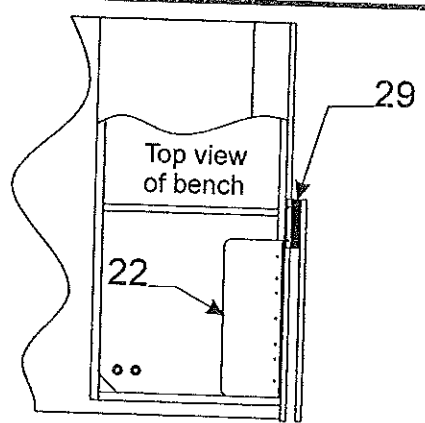
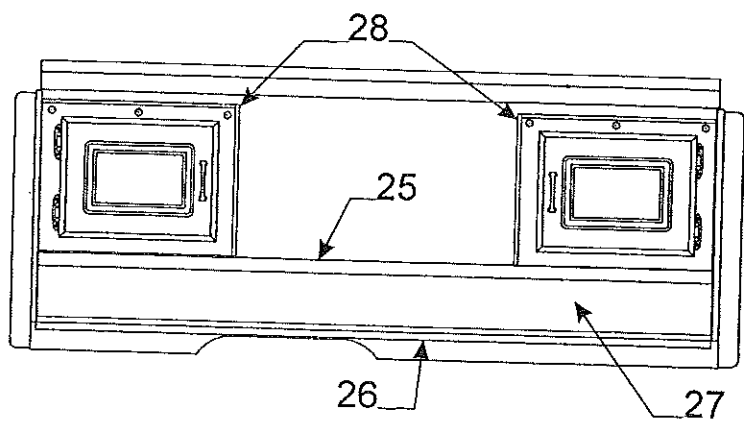
Flat Rate	Code	Part #	Description	Flat Rate	Code	Part #	Description
2.00*	1	4754J0181	rs body panel 3789, 3758	.25	6	4716-1331	water heater door
2.00*		4756D4341	rs body panel 3751	.30	7	4732F1521	city fill
2.00*		4757B8281	rs body panel 3791			4741-3508	hex head tex screw x3
2.00*		4754J3791	rs body panel 3794	.30	8	4731D1711	water tank fill spout
2.00*		4754J1591	rs body panel 3796	.75	9	4716R2111	trim tape & hardware kit
3.00	2	4754E3251	rs body rail 3758,89,96	.25	10	4750B5861	o/s shower complete
3.00		4754E9121	rs body rail 3751,91,94	.15		4716-2181	shower head
		4757-0731	wire grommet & nut	.20		4716-2191	shower hose
		4733D0601	rivet m25 "arctic wht."	.15		4750A2961	lock assy. w/key
		4716-2771	vel-stick pkg.	.50	11	4747D8341	refrigerator vent "plastic" x2
.25	3	4737B2211	curtain track			4757-0691	rivet "alum." m25
		1203-8678	rivet m25 (rivet track to rail)			4757-8301	reefer brkt. "long" x4
.15	4	4741C6041	top latch			4757A8071	reefer brkt. "small" x4
		4749-4848	foam pad	.25	12	4757A4871	coax out-let
		4741A9101	tek screw m10			4741A9101	hex head screw m10
.15	5	4733B23361	cable hatch			4753-3321	out-let gaskets
		4741-3508	hex head tex screw x3	.10	13	4714A2861	drain cap & strap
				.10	14	4716-4441	reefer vent clasp m4

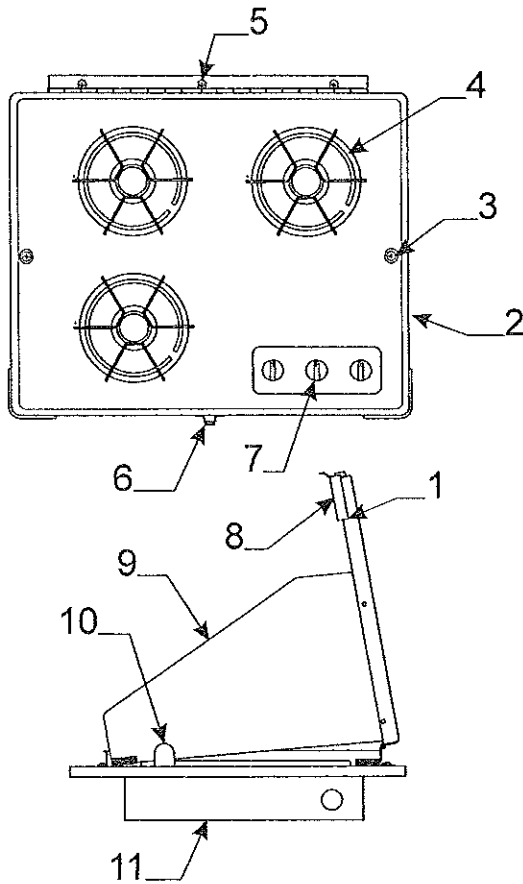


Flat Rate	Code	Part #	Description
1.25	1	4754-6951	csf bulkhead (all)
1.25	2	4754-6961	csr bulkhead (all)
.35	3	4745B0811	rubber door seal
	4	1203-8641	rivet m25
	5	1203-8978	countersunk rivet m25
	6	4744A0501	hex head tek screw m25

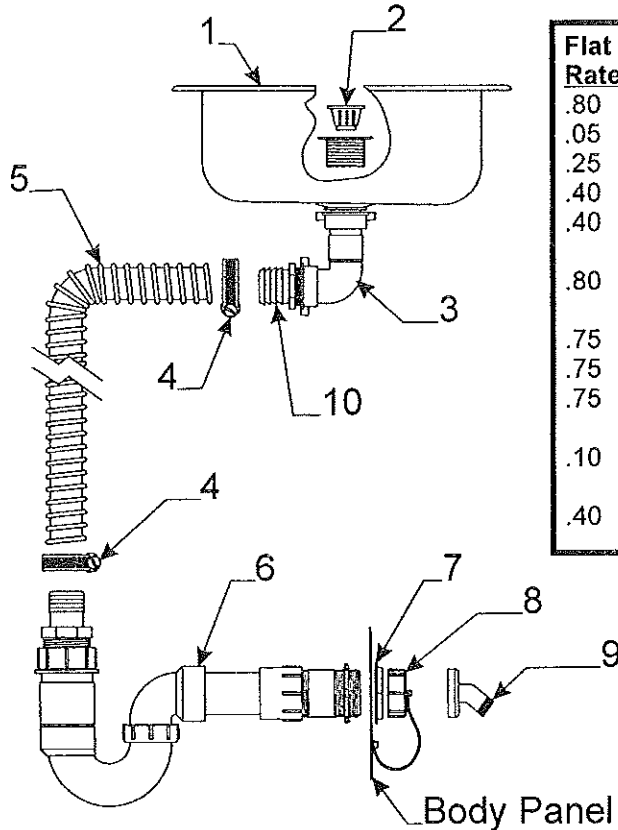


Flat Rate	Code	Part #	Description	Flat Rate	Code	Part #	Description
1.50	1	4757A9161	left front body panel (all)	1.00	13	4755D3491	left front body rail 3778,81,95
1.00	2	4757B5411	glide-out body panel (all)	1.00		4758A2581	left front body rail 3757
Note: oss hole must be cut on models 3778,95,57							
1.50	3	4755E3441	left rear body panel 3778, 3757	1.65	14	4757D5501	bulkhead left front (all)
1.50		4757C0961	left rear body panel 3795	.35	15	4755-3911	glide-out seal track (all)
1.50		4756D3281	left rear body panel 3781			4064700589P	side seal "black" pkg. (8' pc.)
.75	4	4716R2111	trim tape & hardware kit	.15	16	4756-2171	lock boot w/cover plate
1.00	5	4756C3221	left rear body rail 3778,81,95	.25	17	4754-3811	vel-stick (must cut to size)
1.00		4758A2611	left rear body rail 3757	1.65	18	4757C5511	bulkhead left rear (all)
		4757-0731	wire grommet & nut		19	Note: refer to page 12 for this item	
.25	6	4737D2231	curtain track	.50	20	4756-8471	ABS ware strip x2
		1203-8678	rivet m25 (rivet track to rail)		21	Note: refer to page 14 for this item	
.25	7	4716-8041	angle seal pkg. frt./rr (all)	.40	22	4756A6131	metal flip-up backrest x2
		4060000023P	d-seal pkg. "white" (5' pc.)	.20	23	4756-2651	3/4" wht. L- channel 48" pc.
.75	8	4756A4171	strike w/screws	.20	24	4756C1461	U-channel 48" pc.
		4756-3251	shim	.50	25	4757B2161	edge cap "painted maple"
.75	9	4755-4091	latch & gasket	.50	26	4757-2351	floor sweep
.75	10	4756-1181	pull handle	.25	27	4756B6041	wood kick plate assy.
		4738-2608	tek screw "black"		28	Note: refer to page 28 for bench components	
.75	11	4756E1291	glide-out body rail (all)	.10	29	4756-1151	5 1/2" brush seal
.25	12	4716-8041	angle seal pkg. frt./rr (all)		30	4730A3548	stud w/screw
		4060000023P	d-seal pkg. "white" (5' pc.)	1.25	31	3568803202P	ware plate "galvanized" 30x55
				1.25	32	Note: Plate located on bottom side of floor	
						4757A5601	g/o cover plate assy. "black"

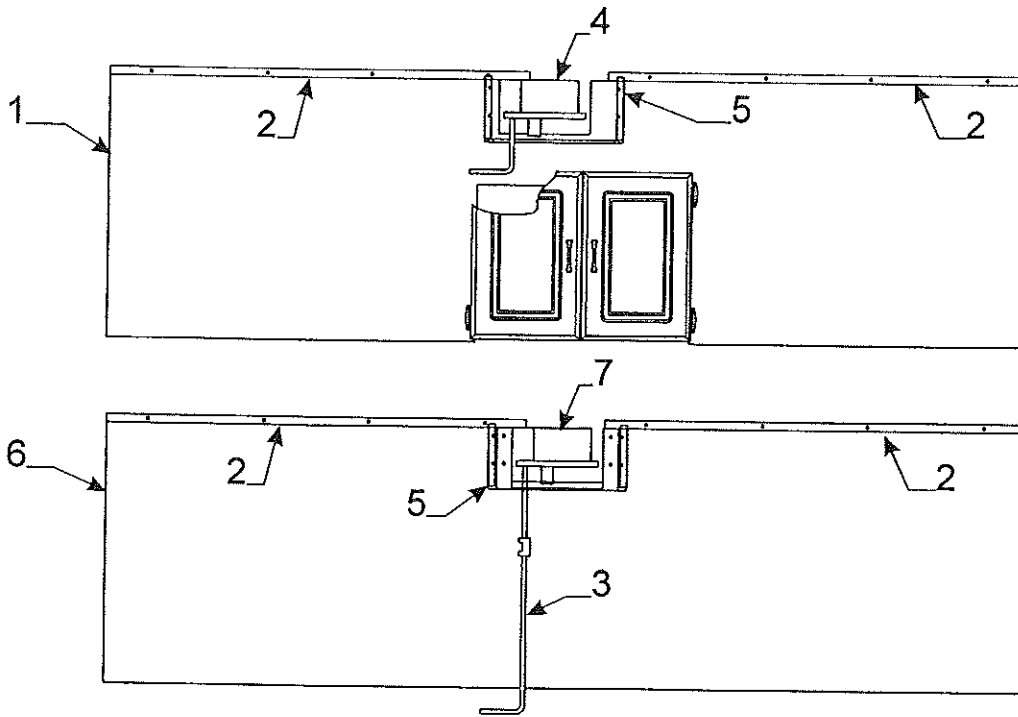




Flat Rate	VITCO Code	Part #	Description
.15	1	4741G6261	stove cover assy. 3789,51,91,96,78,57
.15		4741G62681	stove cover assy. 3781,58,94,95
.15	2	4746B8561	3 burner cook top "white" (all)
.05	3	4716-2631	stove top screw/washer m2
.05	4	4752A9881	stove grate x3
.10	5	4716-2671	stove cover hinge
.15	6	4733-4018	stove cover latch
.15		4733-4028	stove cover strike
.05	7	4716A1861	knob
	8	4732A2291	edge molding m2
.25	9	4716-2661	stove fin "right" 3789,51,91,96,78,57
.25		4716-2651	stove fin "left" 3781,58,94,95
.15	10	4716-2641	stove fin stay brkt. m2
.75	11	4739H2931	3 burner stove box (all)



Flat Rate	Sink & Component parts Code	Part #	Description
.80	1	4745D2801	sink "porcelain"
.05	2	4714C0661	crumb cup "only" (wht. threaded)
.25		4730E3151	crumb cup & basket
.40	3	4757-0861	elbow, nut & washer
.40		4757-9131	black rubber washer
	4	4715-4501	1 1/4" hose clamp
.80	5	4060012503P	1 1/4" drain hose pkg. (10' pc.)
	Note: must cut hose to length		
.75	6	4758C5431	drain trap assy (all except 3791,94)
.75		4767B5811	drain trap assy. 3791only
.75		4758B5701	drain trap assy. 3794 only
	7	4757-0921	1 1/2" metal nut "white"
.10	8	4714A2861	cap & strap
	9	4737-9138	drain adapter
.40	10	4757A0871	adaptor 1 1/4" barb - 1 1/2"

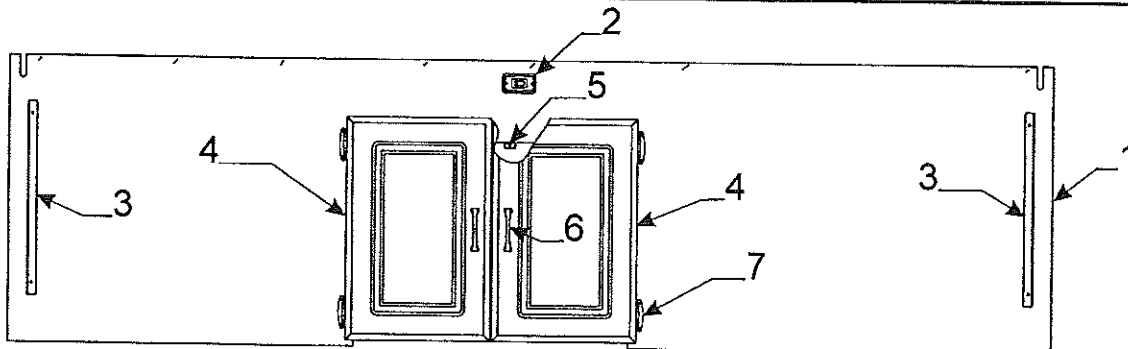


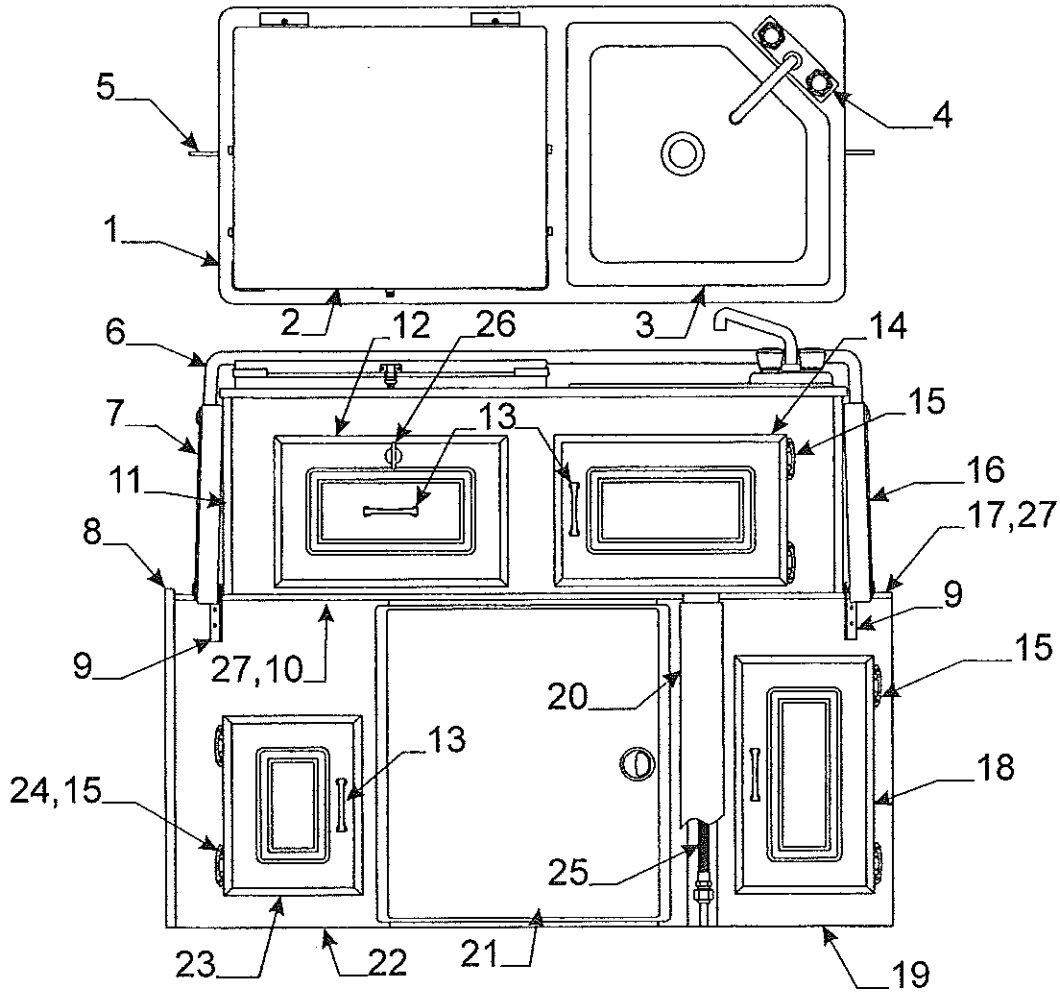
NOTE: REFER TO PAGE 3 FOR A DETAILED VIEW OF THE POWER BED/LIFT SYSTEM PARTS BREAKDOWN.

Flat Rate	Code	Part #	Description	Flat Rate	Code	Part #	Description	
4.00	1	4758C8131	front wall bulkhead	.35	5	4767-6441	motor cover assy.	
			Note: less door assy.'s				4758A4781	motor cover face plate
.45	2	4758-3411	bed seal molding (38" pc.)	*	6	4758B8191	rear wall wood panel	
.50	3	4758-3461	cam bar handle	2.50	7	4767-6451	rear bed motor	
1.00	4	4768-5001	front bed motor					

* Prior Authorization Needed From Factory

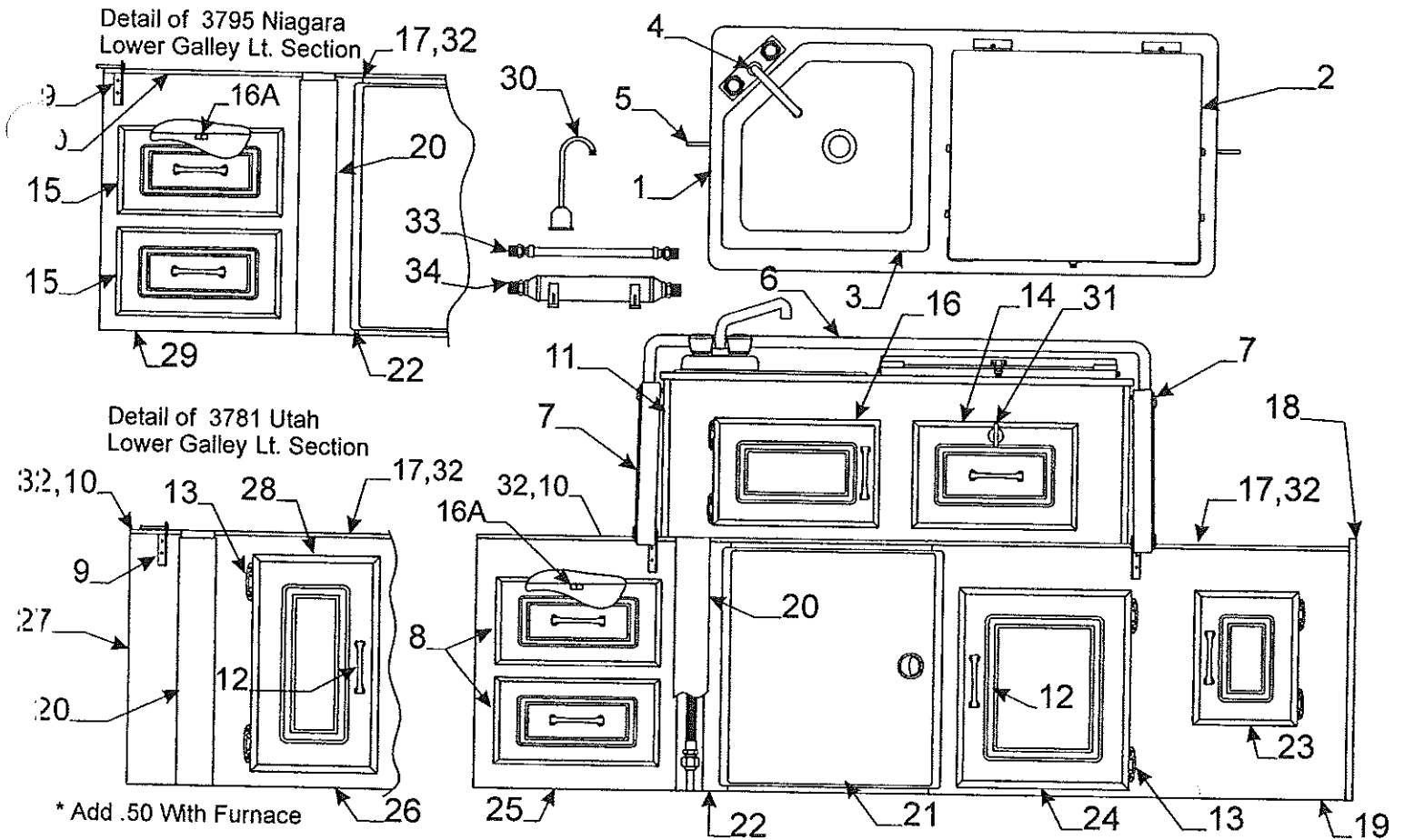
Flat Rate	Code	Part #	Description	Flat Rate	Code	Part #	Description
4.00	1	4755G3401	wood bulkhead 3751,94	.15	4	4756A8901	door pnl. 3778,95
4.00		4754J1881	wood bulkhead 3796,81	.15		4756B8891	door pnl. 3751,81,94,96
4.00		4756F2081	wood bulkhead 3778	.15	5	4733-6391	latch & strike pkg.
4.00		4751L2681	wood bulkhead 3795	.10	6	4755A2681	door pull /screw
.15	2	4751-1161	"lighted" rocker switch	.10	7	4745C26188	hinge (spring loaded)
1.50	3	4754B3291	angle x2			4754A0608	mach. screw x2
						4754-0618	nut x2



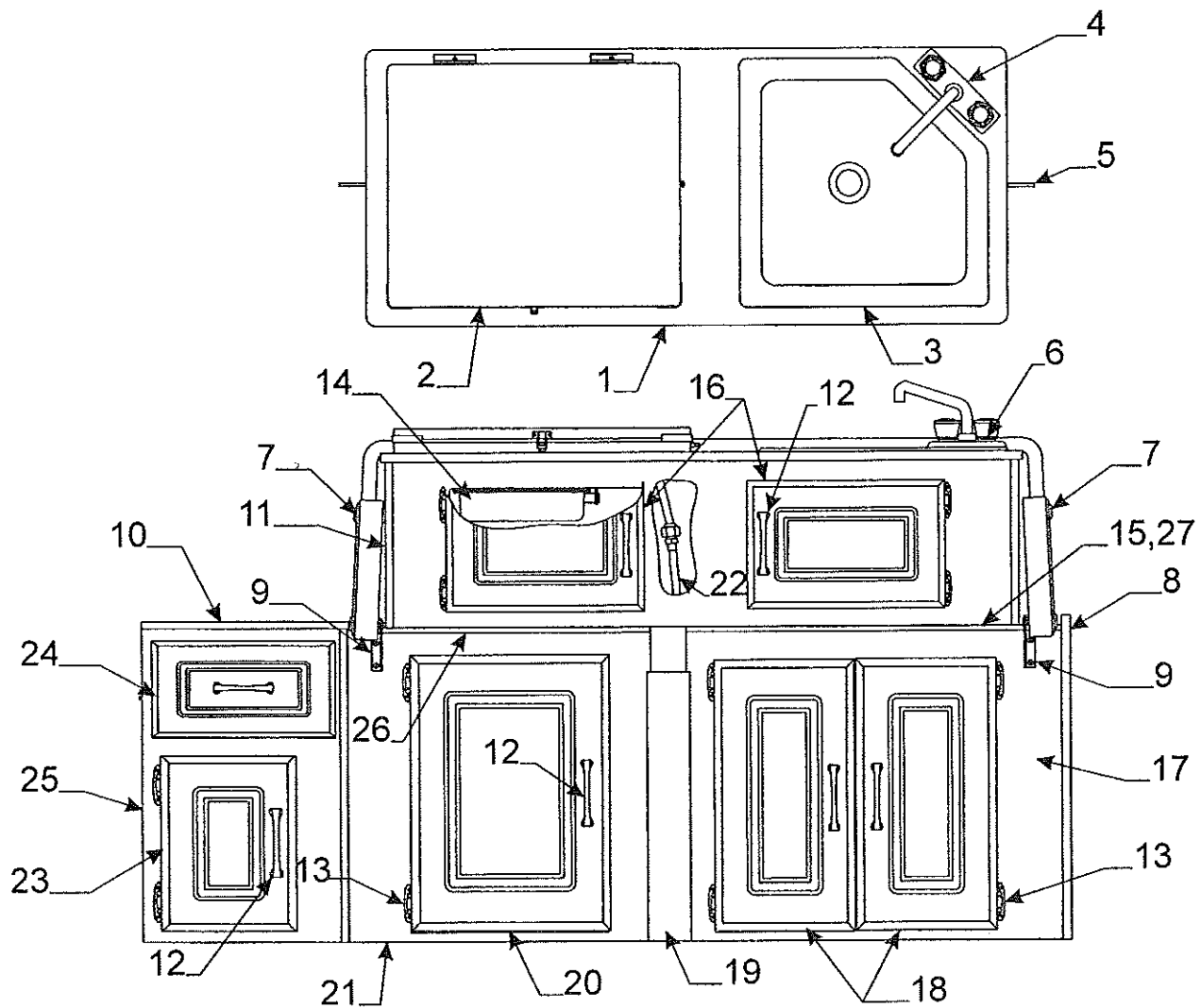


* Add .50 With Furnace

Flat Rate	Upper/Lower Galley Code	Part #	Description	Flat Rate	Code	Part #	Description
1.25	1	4755G8141	galley top (all)	.15	12	4758-4831	drawer frt. 15 5/16" x 10"
.30		4060462507P	t-molding pkg. (14' pc.)	.15		4758E6741	drawer assembly
	2	Note: refer to page 14 for stove components					
.80	3	4745D2801	sink "white porcelian"			4755-4481	cutlery tray
		Note: refer to page 14 for sink components					
1.00	4	4745E2741	mixer faucet	.10	13	4755A2681	door pull w/screws
.75	5	4756A6631	upper galley pivot brkt. (lt. & rt.)	.15	14	4758-1421	door pnl. 15 5/16" x 10"
		4734E1861	rivet "elm" m25			4755-4471	spice rack (plastic)
1.00	6	4756F1511	galley lift bar (all)	.10	15	4745C26188	latch & strike pkg.
		4744-6321	chain assy x2 per bar	.15	16	4757B1951	hinge (spring loaded)
.15	7	4757B1941	plastic chain cover (left)	1.00	17	*4754B8381	plastic chain cover (right)
.75	8	*4754E2611	seat gazoodi 3758, 3789	.15	18	4757-4631	lower galley top rt. (all)
.75		*4754G0581	seat gazoodi 3796	1.00	19	4754C8401	door pnl. 16" x 9 1/8"
.30		4060400091P	lipped t-molding 12' pc. pkg.	.25	20	4754C8401	lower galley frt. rt. (all)
.60	9	4716A1821	lower galley brkt. pkg.	.50	21	4750F6731	filler assembly (all)
1.00	10	*4754E8391	lower galley top lt. 3796	.75	22	*4754C8421	built-in cooler (all)
1.00		*4758-8421	lower galley top lt. 3758, 3789	.15	23	4756A8961	lower galley frt. lt. (all)
.20		4746C0971	kill switch m4	.15	24	4757-4581	door pnl. 12" x 9"
.65	11	4716D0151	3/8" f-channel 24" pc.	.15	25	4753-5581	door pnl. 18 1/2" x 8 3/4"
				.15	26	4757A9081	flexible gas hose (all)
				.10	27	4060175000P	brass thumb turn lock
							1/2" x 3/4" trim angle 6' pc.



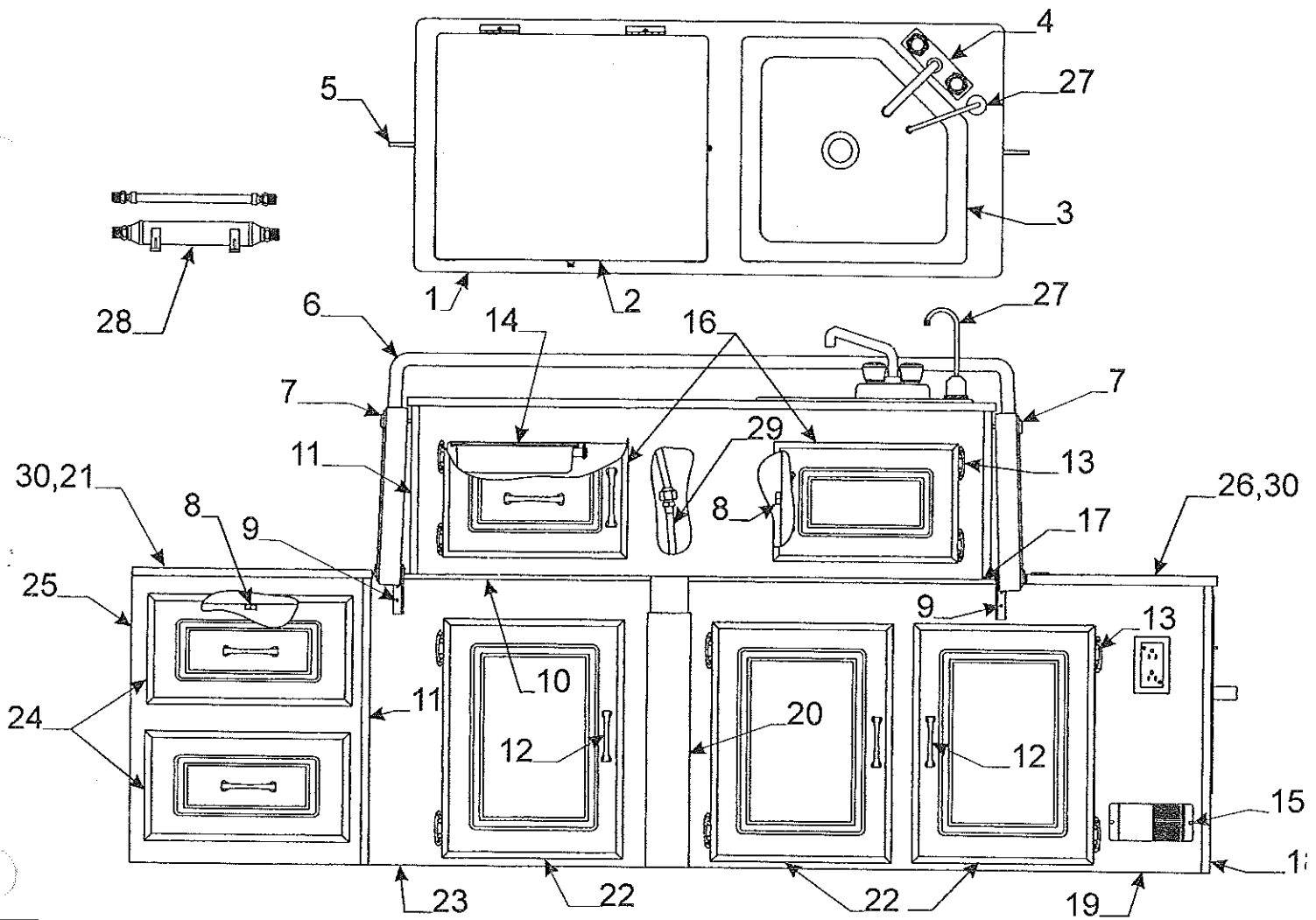
Rate	Code	Part #	Description	Rate	Code	Part #	Description
.25	1	4752L9071	galley top 3781, 94	.15	16	4758-1421	door pnl. 15 5/16" x 10"
.25		4758B0721	galley top 3795			4755-4471	spice rack (plastic)
.30		4060462507P	t-molding pkg. (14' pc.)		16A	4733-6391	latch & strike pkg.
.30	2	Note: refer to page 14 for stove components		1.00	17	*4754H3831	lower galley top rt. 3794
.30	3	4745D2801	sink "white porcelain"	1.00		4758-8411	lower galley top rt. 3781
.00		Note: refer to page 14 for sink components		1.00		*4757B1621	lower galley top rt. 3795
.75	4	4745E2741	mixer faucet	.75	18	4757-4391	gazoodi 3794
.75	5	4756A6631	upper galley pivot brkt. (lt. & rt.)	.75		4756B0011	gazoodi 3781, 95
1.00		4734E1861	rivet "elm" m25	.30		4060400091P	lipped t-molding 12' pc. Pkg.
1.00	6	4756F1511	galley lift bar (all)	1.00	19	*4757A2221	lower galley frt. rt. 3794
		4744-6321	chain assy x2 per bar	1.00		*4754F3281	lower galley frt. rt. 3795
.15	7	4757B1941	plastic chain cover (left)	1.00		*4757-4421	lower galley frt. rt. 3781
.15		4757B1951	plastic chain cover (right)	.25	20	4750F6731	filler assembly (all)
.15	8	4757-4641	drawer frt. 3794	.50	21	4754A0481	built-in cooler (all)
.10		4758D6501	drawer assy. 3794	.75	22	4754B8411	lower galley frt. 3794
.30	9	4716A1821	lower galley brkt. pkg.	.75		4755D4641	lower galley frt. 3795
1.00	10	4756D0541	lower galley top lt. 3794	.15	23	4756A8961	door pnl. 12" x 9 3794,95
1.00		4756A9341	lower galley top lt. 3795	.15	24	4757-4651	dr. pnl. 18 1/2" x 15 1/8" 3794
1.00		4757A4461	lower galley top lt. 3781	.75	25	4756H0521	lower galley front 3794
.20		4746C0971	kill switch m4	.75	26	4757B1631	lower galley front 3781
.65	11	4716D0151	3/8" f-channel 24" pc.	.65	27	4757-4451	lower galley frt. lt. 3781
.10	12	4755A2681	door pull w/screws	.15	28	4756A8931	door pnl. 18 1/2" x 11 3/4"
.10	13	4745C26188	hinge (spring loaded)	.75	29	4756A9371	lower galley front lt. 3795
.15	14	4758-4831	drawer frt. 15 5/16" x 10"	.40	30	4765A1411	water purifier 3795
.15		4758E6741	drawer assy. (All)	.20		4716-7141	in-line filter
		4755-4481	cutlery tray (plastic)	.15	31	4757A9081	brass thumb turn lock
.15	15	4757-4641	drawer frt. 3795	.10	32	4060175000P	1/2" x 3/4" trim angle 6' pc.
.15		4756D5111	drawer assy. 3795	.20	33	4765B1411	in-line filter & holder 3795
					34	4768-6161	in-line filter by-pass (winterize)



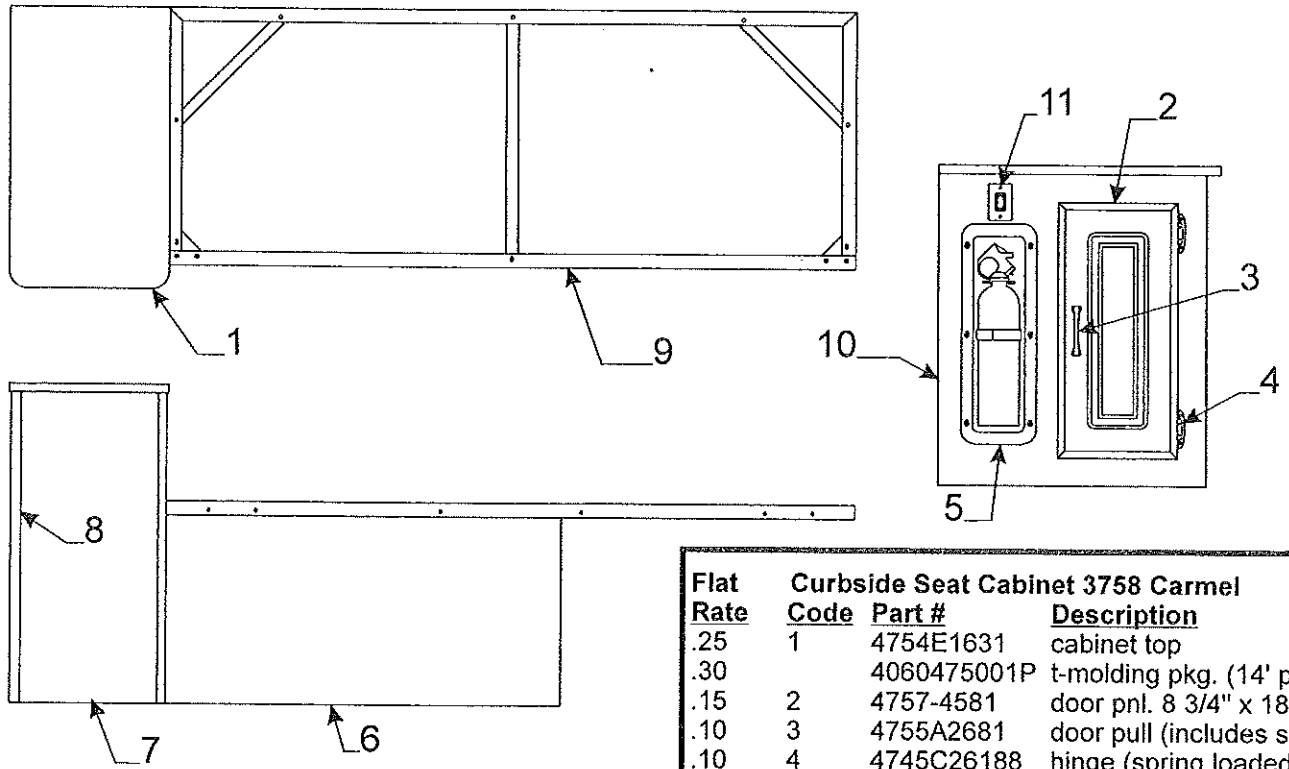
* Add .50 with furnace

Flat Rate	Upper/Lower Galley Components - 3791 Sun Valley	Flat Rate	Code	Part #	Description
2.00	1 4754H4271 galley top w/out hot water	.10	13	4745C26188	hinge (spring loaded)
.30	4060462507P t-molding pkg. (14' pc.)	.25	14	4716A3911	cutlery tray kit
.80	2 Note: refer to page 14 for stove components	1.00	15	4757A8151	lower galley top rt.
	3 Note: refer to page 14 for sink components	.20		4746C0971	kill switch m4
1.00	4 4745E2741 mixer faucet	.15	16	4758-1421	door panel
.75	5 4752A9271 upper galley pivot brkt. (lt. & rt.)			4755-4471	spice rack (plastic)
1.00	6 4756B4071 galley lift bar	1.00	17	4757A8161	lower galley front rt.
.15	4757-6341 chain assy x2 per bar	.15	18	4757-4581	door panel 8 3/4"x 18 1/2"
.15	7 4757B1911 plastic chain cover (left)	.25	19	4750F6731	filler assembly
.15	4757B1921 plastic chain cover (right)	.15	20	4756A8941	door panel 18 1/2"x 14"
.75	8 4755B2901 seat gazoodi	1.00	21	4757A8171	lower galley front lt.
.30	4060400091P lipped t-molding 12' pc. pkg.	.45	22	4753-5581	flexible gas hose 48"
.60	9 4716A1821 lower galley brkt. pkg.	.15	23	4756A8941	door assy. 12" x 9 1/8"
1.00	10 4756A8791 cabinet top	.15	24	4756A8991	drawer pnl.
	4747-8941 black plastic cap m2	.10		4756E6371	drawer assy.
.65	11 4716D0151 3/8" f-channel 24"pc.	.75	*25	4756B8771	cabinet front
.10	12 4755A2681 door pull w/screws	.75	26	4757D0051	lower galley top lt.
		.10	27	4060175000P	1/2" x 3/4" trim angle 6' pc.

Note: refer to page 29 for drawer components

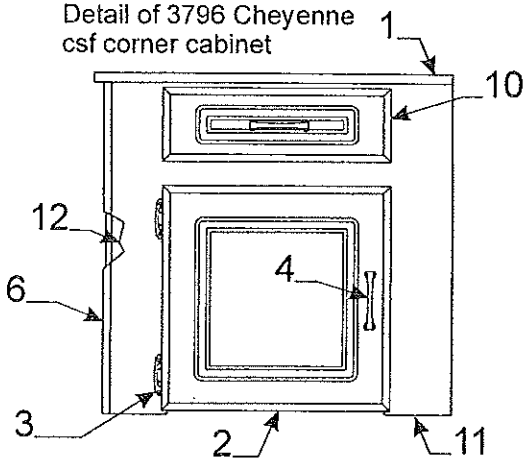


Flat Rate	Upper/Lower Galley Code	Part #	Description	Flat Rate	Code	Part #	Description
2.00	1	4754H4271	upper galley top (all)	1.00	17	4752G9081	lower galley top rt. 3778, 57
Note: must drill 13/16" hole for purifier faucet where applicable.				1.00		4754C9971	lower galley top rt. 3751
.30		4060462507P	t-molding pkg. (14' pc.)	.10		4060175000P	1/2" x 3/4" trim angle 6' pc.
.80	2	Note: refer to page 14 for stove components		.75	18	4756C3621	galley end 3778, 3757
	3	4745D2801	sink "white porcelain"	Note: refer to page 21 for fire extinguisher			
1.00	4	4745E2741	mixer faucet	1.00	19	4752K9101	lower galley frt. rt. 3778, 57
.75	5	4752A9271	upper galley pivot brkt. (lt. & rt.)	1.00		4754E9981	lower galley frt. rt. 3751
		4734E1861	rivet "elm" m25	.25	20	4750F6731	filler assembly (all)
1.00	6	4756B4071	galley lift bar (all)	.50	21	4757C0171	cabinet top 3757
		4757-6341	chain assy x2 per bar			4757D0171	cabinet top 3778
.15	7	4757B1911	plastic chain cover (left)	.15	22	4756A8941	door pnl. x3 3778, 57
.15		4757B1921	plastic chain cover (right)	.15		4757-4581	door pnl. x3 3751
.60	8	4733-6391	latch & strike	.75	23	4754C8341	lower galley frt. lt. 3778, 57
.100	9	4716A1821	lower galley brkt. pkg.	.75		4757B0011	lower galley frt. lt. 3751
.100	10	4752F9231	lower galley top lt. (all)	.15	24	4756A8991	drawer/door frt. x2 3778, 57
.10		4060175000P	1/2" x 3/4" trim angle 6' pc.	.15		4768-5961	drawer assy. x2 3778, 3757
.20		4746C0971	kill switch m4	.50	25	4756F3791	cabinet front 3778
.65	11	4716D0151	3/8" f-channel 24" pc.	.50		4758A4191	cabinet front 3757
.10	12	4755A2681	door pull w/screws	.50	26	4757A2481	lower galley top 3778, 57
.10	13	4745C26188	hinge (spring loaded)	.40	27	4765A1411	water purifier 3778, 57
.25	14	4716A3911	cutlery tray w/hardware	.20		4716-7141	in-line filter
.25	15	4753-9171	lp gas detector	.20	28	4765B1411	in-line filter & holder 3778, 57
.15	16	4758-1421	door pnl. (all)	.45		4768-6161	in-line filter by-pass (winterize)
		4755-4471	spice rack (plastic)		29	4753-5581	flexible gas hose 48"
					30	4747-8941	black plastic cap m2

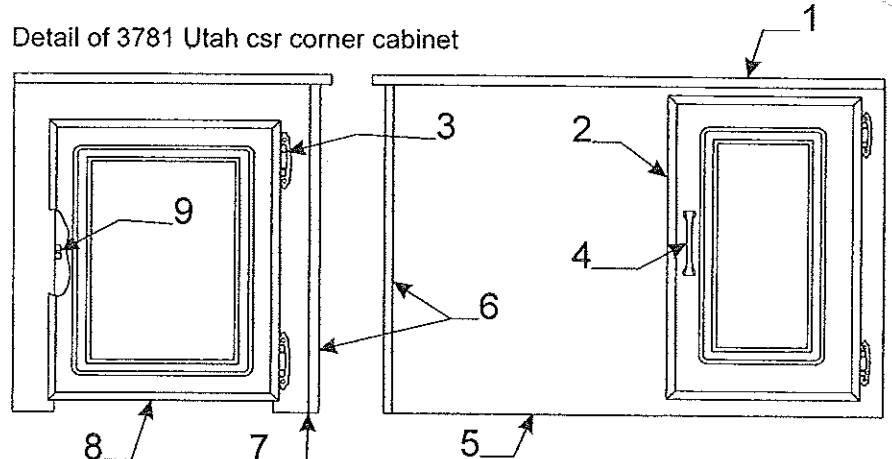


Flat Rate	Code	Part #	Description
.25	1	4754E1631	cabinet top
.30		4060475001P	t-molding pkg. (14' pc.)
.15	2	4757-4581	door pnl. 8 3/4" x 18 1/2"
.10	3	4755A2681	door pull (includes screws)
.10	4	4745C26188	hinge (spring loaded)
	5	Note: refer to page 21 for this item	
.30	6	4754E1361	paneling
.30	7	4757C3001	cabinet front
.35	8	4716D0151	3/8" F-channel 24" pc.
.50	9	4767-5971	seat frame assy.
.50	10	4754K1621	cabinet side
.20	11	4746C0971	rocker switch m4

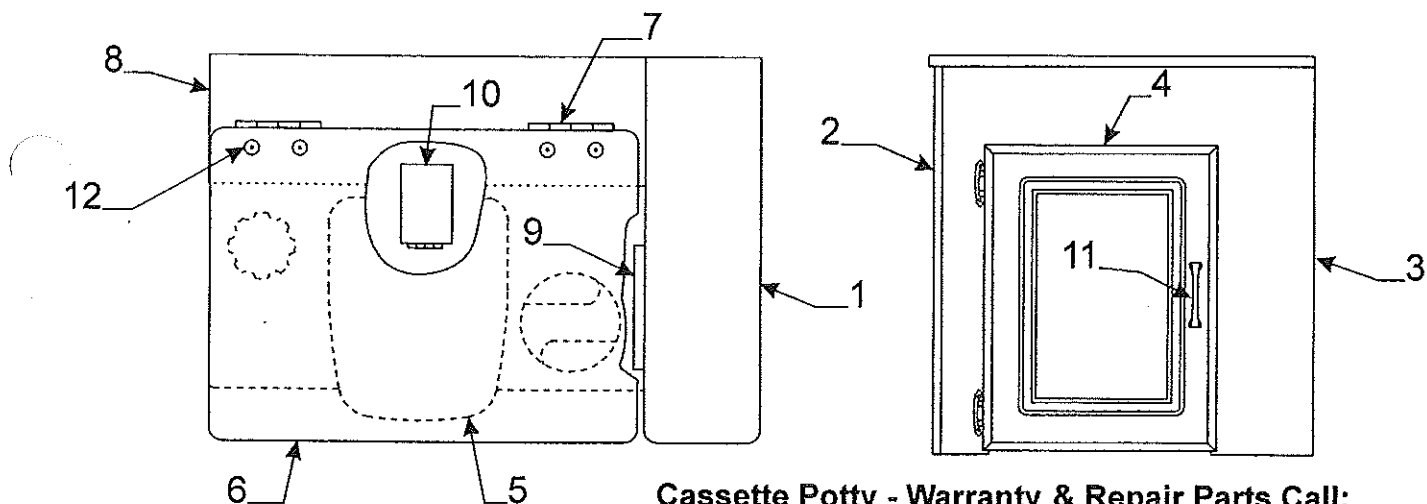
Detail of 3796 Cheyenne csf corner cabinet



Detail of 3781 Utah csr corner cabinet

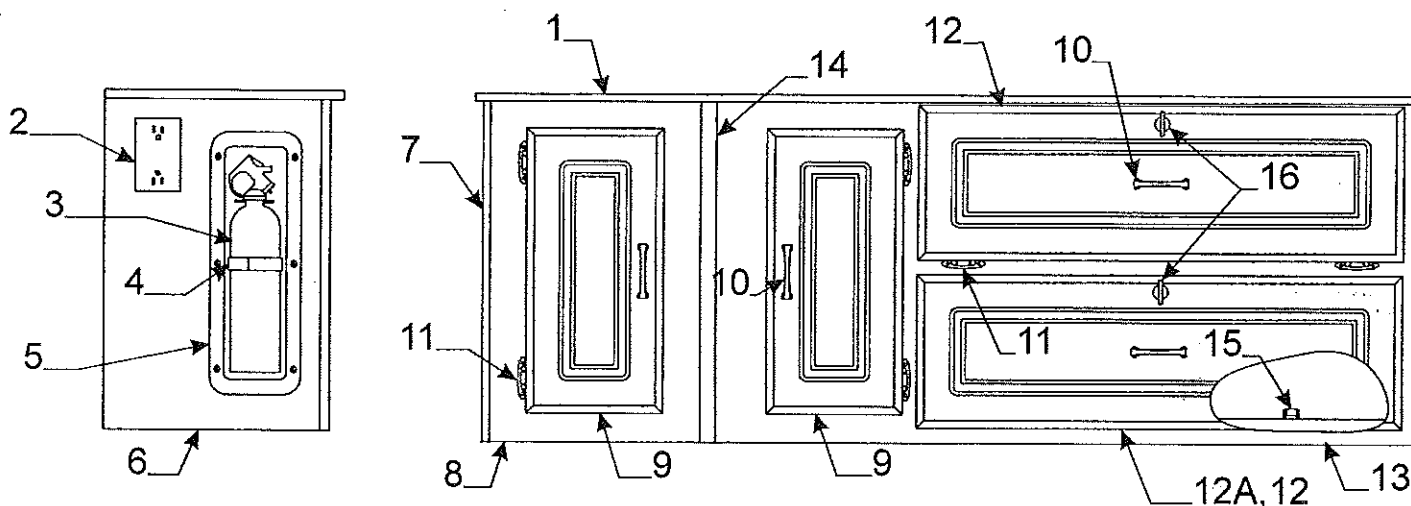


Flat Rate	Code	Part #	Description	Flat Rate	Code	Part #	Description
.50	1	4756D4941	cabinet top 3781	.75	5	4756C4671	cabinet frt. 3758,81,89
.50		4756C4701	cabinet top 3758, 3789	.65	6	4716D0151	3/8" f-channel 24" pc.
.50		4757A9691	cabinet top 3796	.50	7	4756C4691	cabinet side 3758,81,89
.30		4060475001P	t-molding pkg. (14' pc.)	.15	8	4757-4651	door pnl. 18 1/2" x 15 1/4"
.15	2	4756A8941	dr pnl. 18.5" x 14" 3758,81,89	.15	9	4733-6391	latch & strike
.15		4757-4611	door pnl. 15 1/8" x 15 1/8" 3796	.15	10	4757-8201	drawer frt. 14 3/4" x 4 3/4"
.10	3	4745C26188	hinge (spring loaded)	.15		4758D6101	drawer assy. 3796
.10	4	4755A2681	door pull w/screws	.50	11	4754C8211	cabinet front 3796
				.30	12	4754D1841	cabinet side 3796

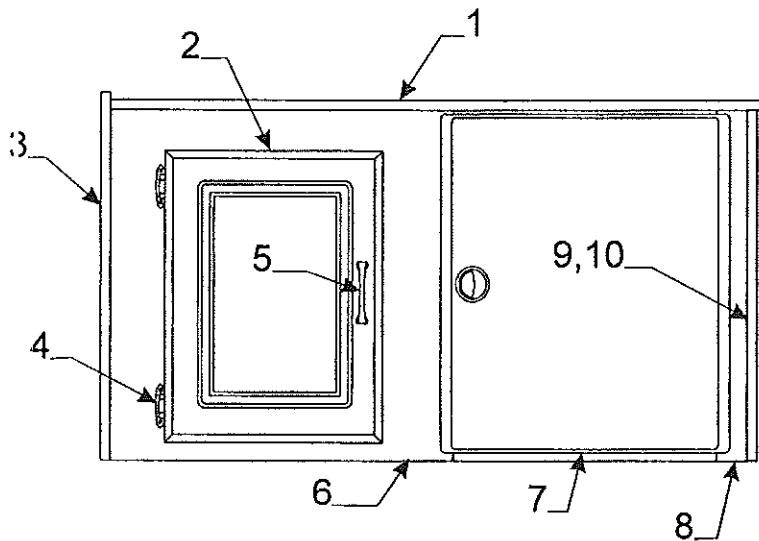


**Cassette Potty - Warranty & Repair Parts Call:
Thefford - Phone # 1-800/354-4135**

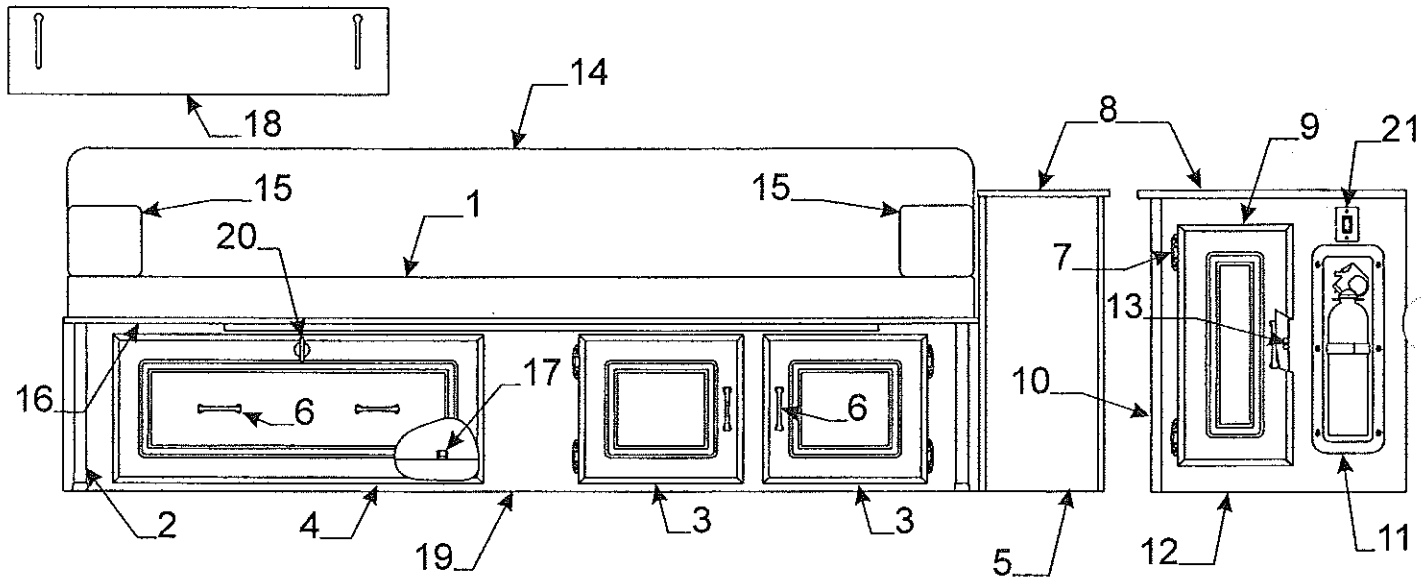
Flat Rate	Potty Cabinet 3781 Utah, 3789 Santa Fe, 3758 Carmel, 3757 Monterey	Code	Part #	Description	Flat Rate	Code	Part #	Description
.25		1	4758-3931	cabinet top (all)	.25	6	4754D4541	flip-up lid
.30			4060450003P	t-molding pkg. (12' pc.)	.30		4060450003P	t-molding pkg. (12' pc.)
.35		2	4716B1421	5/32" f-channel 24" pc.	.20	7	4750-3921	lid hinge x2
.40		3	4756B4991	cabinet side 3781, 3757	.10	8	4750D3891	wood filler
.40			4751D9961	cabinet side 3758, 89	.15	9	4750C3911	wood lid support rt./lt.
.15		4	4756A8941	door panel 14" x 18 1/2"	.15	10	4755C6911	flip-up lid prop (metal)
.75		5	4746C2461	cassette potty 3758, 89	.10	11	4755A2681	door pull w/screws
.75			4756-2251	cassette potty 3781, 3757	.05	12	4744D4601	5/8" headed rivet M25



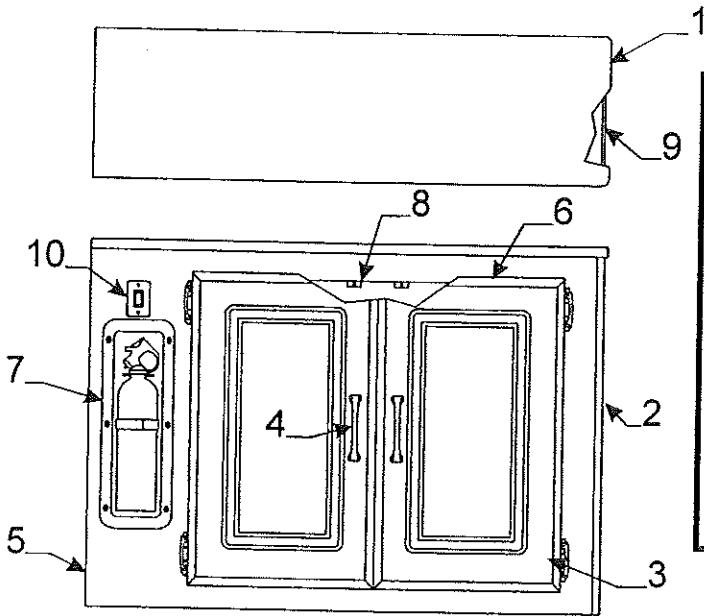
Flat Rate	Curbside Hutch Assy. 3789 Santa Fe	Code	Part #	Description	Flat Rate	Code	Part #	Description
.75		1	4754D0511	hutch top	.15	9	4757-4581	door panel 8 3/4" x 18 1/2"
.30			4060462506P	t-molding pkg. (9' pc.)	.10	10	4755A2681	door pull (includes screws)
.20		2	4752-2361	15 amp receptacle	.10	11	4745C26188	hinge (spring loaded)
.10		3	4737A5558	fire extinguisher	.15	12	4757A8261	door/drawer frt. 30 1/4" x 9 1/4"
.35		4	4716-1191	fire extinguisher strap m2	.15	12A	4754F5291	drawer assy. x2
.15		5	4737B4198	recessed mount				Note: refer to page 29 drawer components
			4738-3088	screw x6	1.25	13	4754F0551	hutch front "large"
.55		6	4754D0521	hutch side	1.00	14	4754C054	3/8" h-channel
.65		7	4716D0151	3/8" f-channel 24" pc.	.10	15	4757-8911	drawer roller guide m2
.50		8	4754E0491	hutch front "small"	.15	16	4757A9081	brass thumb turn lock



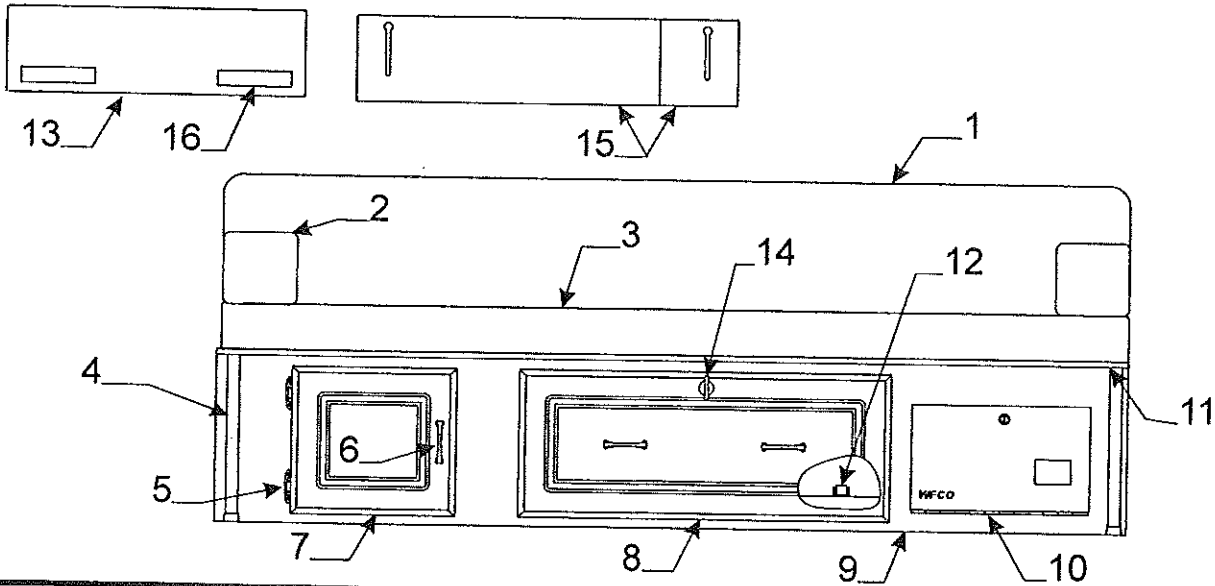
Flat Rate	Code	Part #	Description
1.50	1	4757-8181	hutch top
.30		4060462506P	t-molding pkg. (14' pc.)
.15	2	4756A8941	door panel 18 1/2" x 14"
.75	3	4755B2901	gazoodi
.30		4060400091P	lipped t-molding pkg. (12' pc.)
.10	4	4745C26188	hinge (spring loaded)
.10	5	4755A2681	door pull w/screws
.75	6	4757-8191	hutch front lt.
.50	7	4754A0481	built-in cooler
.75	8	4752F4561	hutch front rt.
.65	9	4716D0151	f-channel 24" pc.
1.25	10	4752F4571	hutch side rt.



Flat Rate	Code	Part #	Description	Flat Rate	Code	Part #	Description
10	1	4758C6191	cushion assy. (all)	.15	9	4757-4581	door panel 8 3/4" x 18 1/2"
25		4714C6191	cushion cover	.65	10	4716D0151	3/8" f-channel (24" pc.)
25	2	4758A6151	cushion leg x2		11		Note: refer to page 21 fire extinguisher
		4756B1591	rivet m25	.50	12	4754K1621	cabinet side 3796, 3781
05		4752-0551	plastic cap m2	.15	13	4733-6391	latch & strike pkg.
15	3	4757-4621	door panel 13 3/8" x 12 1/4"	.10	14	4758C6201	backrest assy. (all)
15	4	4757A8501	drawer frt. 30 1/4" x 9 1/4"	.25		4714C6201	backrest cover
15		4759A6321	drawer assy.	.10	15	4758C6211	arm rest (all)
		Note: refer to page 29 for drawer components		.25		4714C6211	arm rest cover
1.25	5	4754J1651	hutch front 3781		16	4755G5561	pull-out platform w/legs
1.25		4757C3001	hutch front 3796			4754B2881	cushion stiffener angle
10	6	4755A2681	door pull (includes screws)	.10	17	4757-8911	drawer roller guide M2
10	7	4745C26188	hinge (spring loaded)	.40	18	4752B0341	bench top w/slots
25	8	4754E1631	cabinet top 3796	1.00	19	4756E8251	bench frt. 3781
25		4756E8241	cabinet top 3781	1.00		4754J1641	bench frt. 3796
30		4060475001P	t-molding pkg. (14' pc.)	.15	20	4757A9081	brass thumb turn lock
				.20	21	4746C0971	rocker switch m4

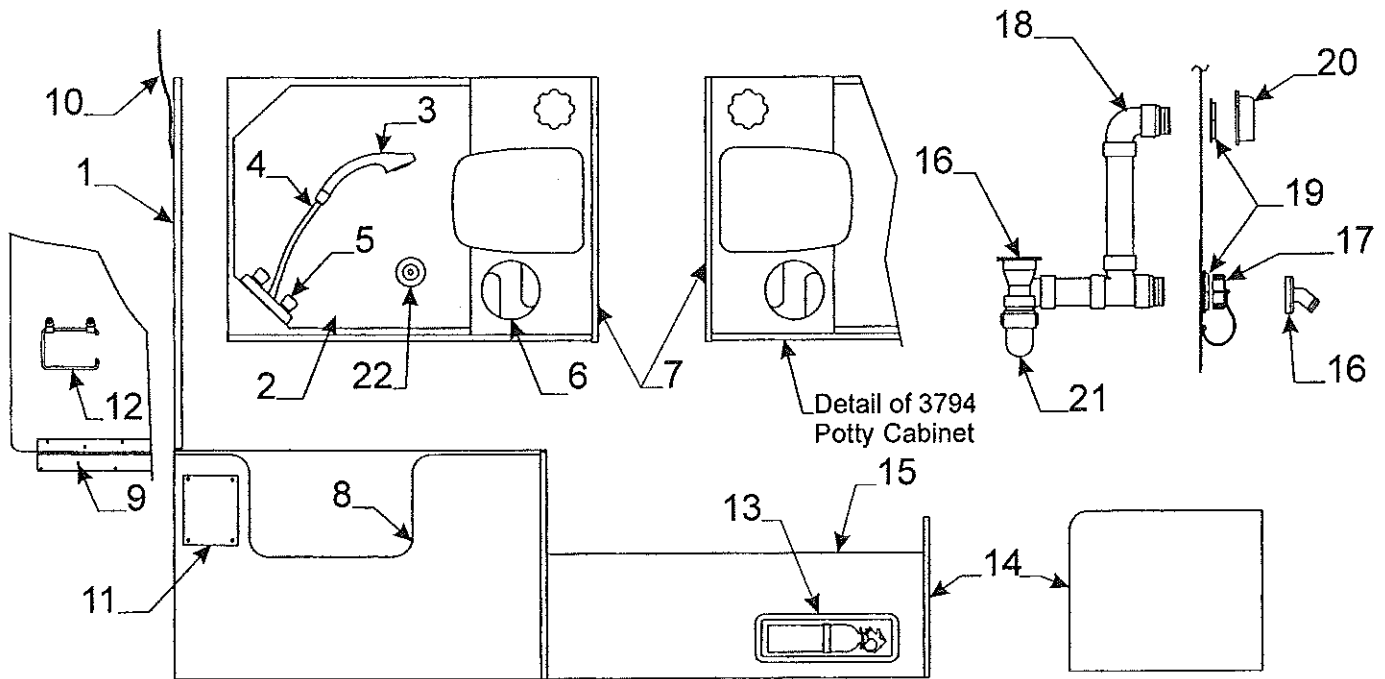


Doorway Hatch Assembly- 3751, 3791, 3794			
Flat Rate	Code	Part #	Description
.25	1	4756D4311	cabinet top 3751,94
.25		4755C3851	cabinet top 3791
.30		4060462506P	t-molding pkg. (9' pc.)
.35	2	4716D0151	3/8" f-channel 24" pc.
.10	3	4745C26188	hinge (spring loaded)
.10	4	4755A2681	door pull (includes screws)
.30	5	4752H4691	cabinet side 3751, 91, 94
.15	6	4756A8941	door assy. 18 1/2" x 14" (all)
	7	Note: refer to page 21 for fire extinguisher	
.15	8	4733-6391	latch & strike pkg.
.30	9	4755E4571	cabinet front 3751,94
.30		4752H4951	cabinet font 3791
.20	10	4746C0971	rocker switch (step light)

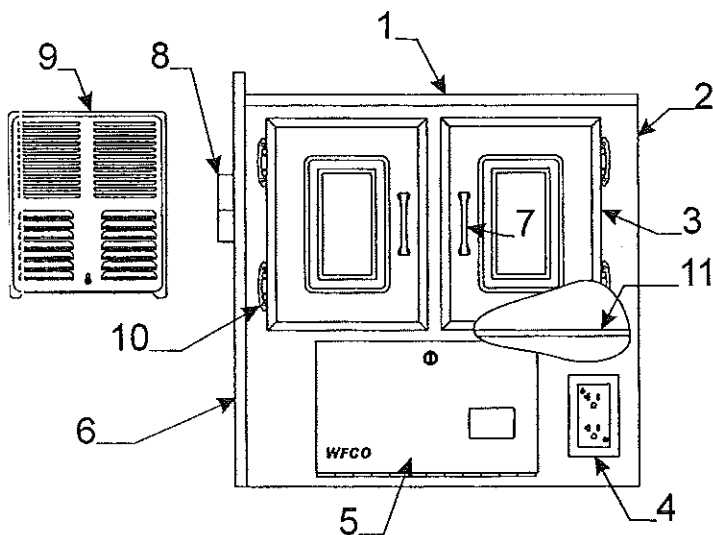


Hutch/Seat Assembly 3794, 3778							
Flat Rate	Code	Part #	Description	Flat Rate	Code	Part #	Description
	1	see page 38, 39 for this item		1.25	9	4757F2211	hutch front 3794
	2	see page 38, 39 for this item		1.25		4757D0201	hutch front 3778
	3	see page 38, 39 for this item		1.00	10	4753C8201	converter 25 amp
.25	4	4758A6151	cushion leg x2	.25	11	4755G5561	platform w/legs 3794
.05		4752-0551	plastic cap m2	.10	12	4757-8911	drawer roller M2
.10	5	4745C26188	hinge (spring loaded)	.40	13	4757-84061	bench top 3/8" wood 3778
.10	6	4755A2681	door pull (includes screws)	.15	14	4757A9081	brass thumb turn lock
.15	7	4757-4621	dr. pnl 13 3/8" x 12 1/4" 3794	.40	15	4757-8661	rt. bench top w/slot 3794
.15		4756A8971	door pnl 18" x 12 1/4" 3778	.20		4757-8651	lt. bench top w/slot 3794
.15	8	4757A8501	drawer frt. 3794		16	4753A8551	2" velcro x2
.15		4759A6321	drawer assy. 3794				
.15		4757A8501	drawer frt. 3778				
.15		4753J5451	drawer assy. 3778				

Note: refer to page 29 for drawer components

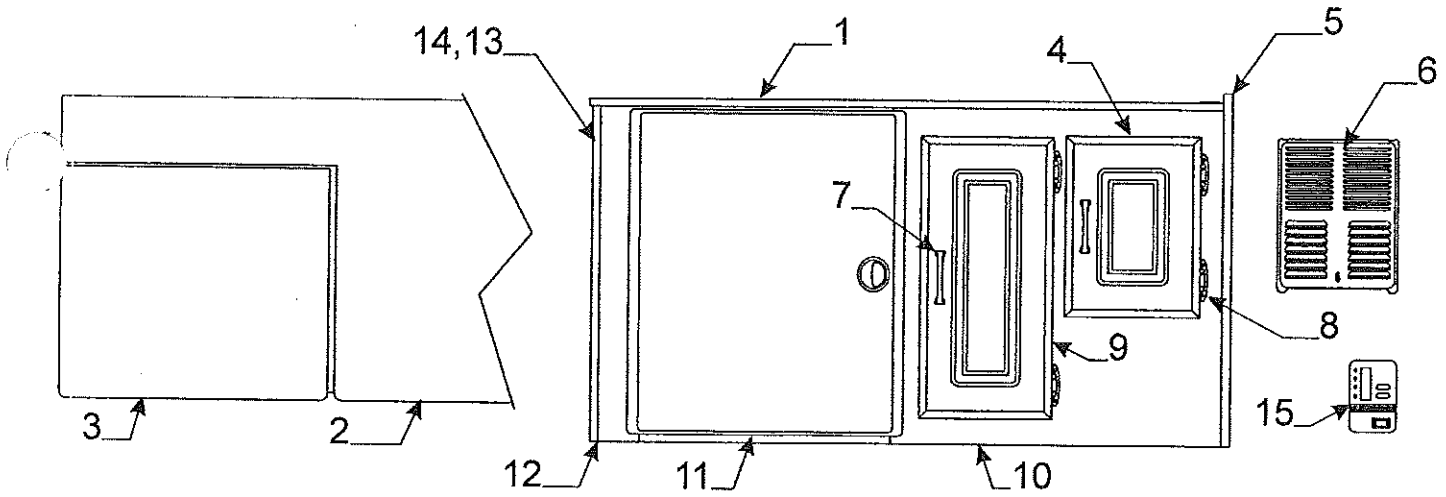


Flat Rate	Code	Part #	Description	Flat Rate	Code	Part #	Description
.40	1	4757B6841	shower cover board 3795	.15	10	4757-6701	hold-up strap 3795
.40		4757B6711	shower cover board 3794	.15		4757A6701	hold-up trap 3794
.30		4060450003P	1/2" t-molding pkg. (12' pc.)	.25	11	4757A2171	shower hose cover
1.50	2	4757C6721	shower pan & cabinet 3794	.15	12	4756-9121	TP holder
1.50		4754E6541	shower pan & cabinet 3795			4747-2531	1/4" nylon clamp m2
.15	3	4746A3761	shower head w/bracket	13	Note: refer to page 21 for fire extinguisher		
.20	4	4741B2051	shower hose (72" length)	.30	14	4756A4921	seat end 3795
.50	5	4741B2071	shower diverter	.30		4060400091P	5/8" t-molding pkg. (12' pc.)
.10		4716-0848	shower hose connector	.15	15	4756B4901	seat front 3795
.75	6	4756-2251	cassette potty 3795		16	4757-8561	drain adapter
.75		4746C2461	cassette potty 3794	.10	17	4714A2861	cap & strap
.75	7	4754C3861	shower wall (all)	1.00	18	4741B9301	vent system
.30		4060400091P	1/2" t-molding pkg. (12' pc.)	.50	19	4757-0921	metal nut "white"
1.50	8	4756E2531	shower threshold 3795	.20	20	4757-9261	vent cover "plastic"
.30		4060450003P	t-molding (threshold) (6' pc.)	.40	21	4752-3621	p-trap w/union joint
1.50		4756C4621	shower threshold 3794	.50	22	4746A1821	basket & strainer
.30		4060300083P	t-molding (threshold) (12' pc.)		23	4741D6361	tub package.
.25	9	4756-4441	shower board hinge				

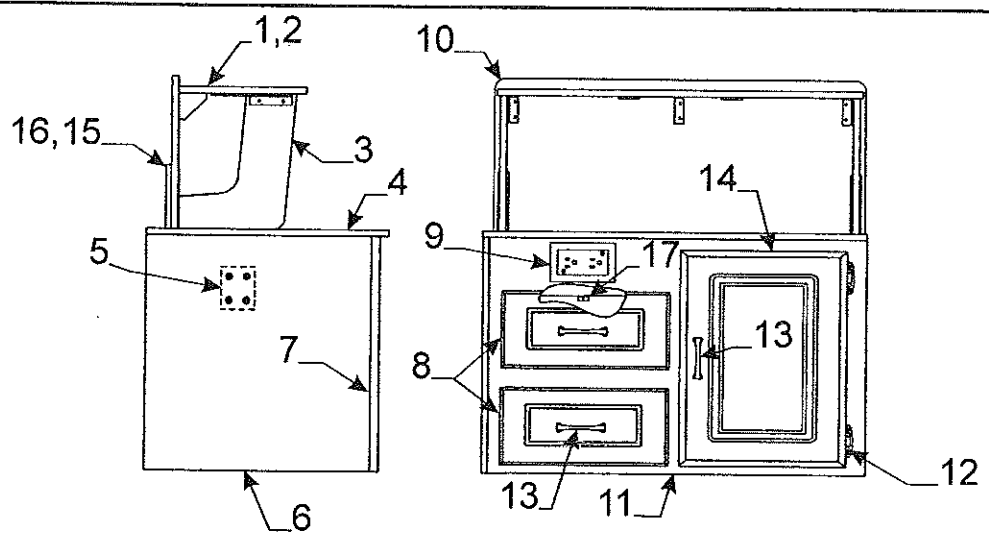


Flat Rate	Code	Part #	Description
.25	1	4756G0081	cabinet top (all)
.30		4060462507P	t-molding (14' pc. Pkg.)
.75	2	4756F0071	cabinet front (all)
.15	3	4756A8961	door panel 12" x 9"
.20	4	4752-2371	20 amp receptacle 3778,81,57
.20		4755-8321	20 amp GFI recept. 3795
1.00	5	4753C8201	converter 25 Amp (all)
1.00	6	4756B0011	gazoodi (all)
.30		4060400091P	t-molding pkg. (14' pc.)
.10	7	4755A2681	door pull w/screws
*	8	4755B8201	nylon block x2
.10	9	4743-3551	furnace grill
.10	10	4745C26188	hinge (spring loaded)
.20	11	4755B3581	converter cover shelf x2

* Prior Authorization from factory needed.

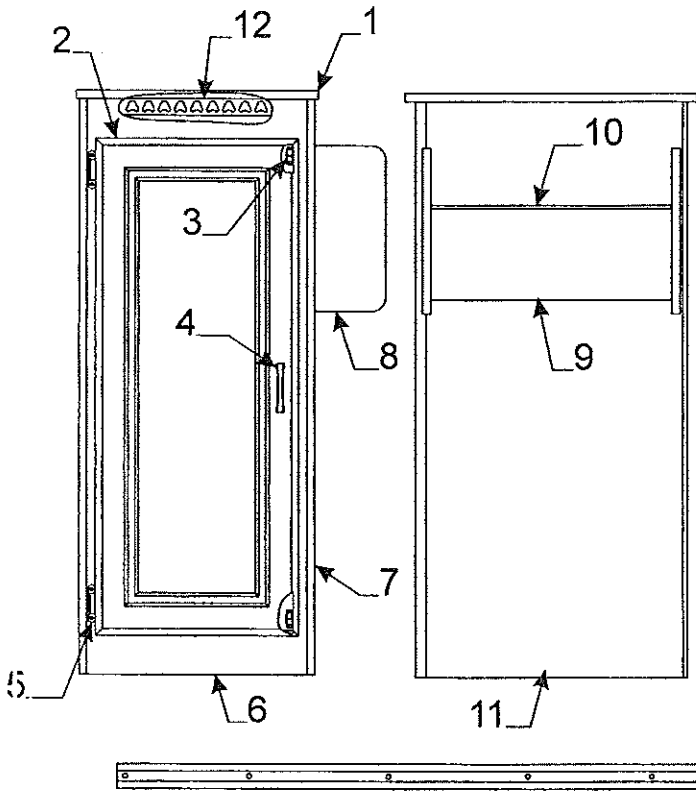


Flat Rate	Code	Part #	Description	Flat Rate	Code	Part #	Description
1.50	1	4756C4301	hutch top 3751	.10	7	4755A2681	door pull w/screws
.30		4060462506P	t-molding pkg. (9' pc.)	.10	8	4745C26188	hinge (spring loaded)
1.50	2	4756D3831	hutch top (affixed) 3778	.15	9	4757-4581	dr. pnl. 18 1/2" x 8 3/4" 3751
.30		4060475001P	t-molding pkg. (14' pc.)	1.50	10	*4756B4521	hutch front rt. 3751
.50	3	4757C0181	hutch top (lift-up) 3778	1.50		4756D3821	hutch front lt. 3778
.30		4060475001P	t-molding pkg. (14' pc.)	.50	11	4754A0481	built-in cooler
.15	4	4756A8961	door pnl. 12" x 9 1/8" 3751	.75	12	4752F4561	hutch front 3751
.75	5	4755C1181	gazoodi 3751	.75		4756D3811	hutch front 3778
		4756B0011	gazoodi 3778	.65	13	4716D0151	f-channel 24" pc.
.30		4060400091P	lipped t-molding pkg. (12' pc.)	1.25	14	4752F4571	hutch side lt. 3751
.10	6	4743-3551	furnace grill	.25	15	4756-9041	water level monitor 3778

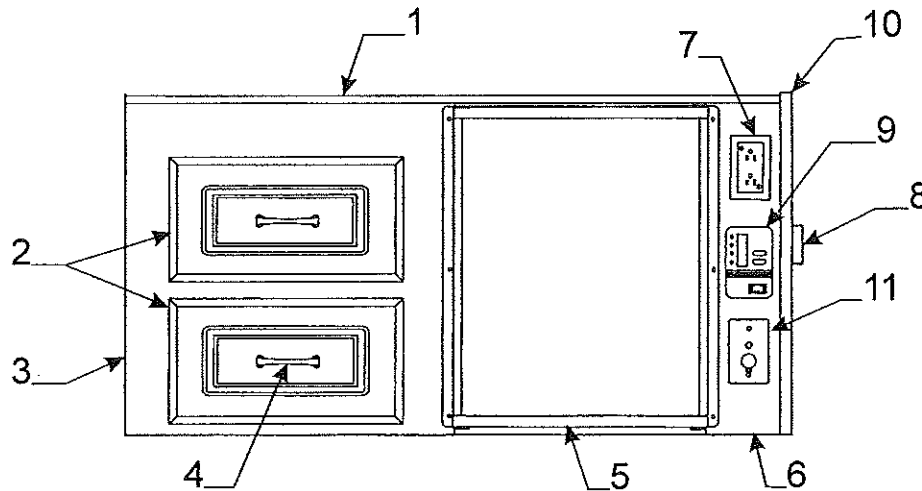


Flat Rate	Code	Part #	Description	Flat Rate	Code	Part #	Description
.25	1	4756C5951	flip-up shelf assy.	.15	8	4757-4641	drawer frt. 15" x 7 3/4"
.20	2	4756C0291	flip-up shelf top	.15		4756D5111	drawer assy. x2
.30		4060462507P	t-molding pkg. (14' pc.)	.20	9	4752-2361	15 amp receptacle
.15	3	4756A0311	flip-up shelf support x2	.25	10	4756A0301	flip-up shelf back
.50	4	4756C0031	cabinet top	.75	11	4756D0041	cabinet front
.30		4060475001P	t-molding pkg. (14' pc.)	.10	12	4745C26188	hinge (spring loaded)
.35	5	4756-5961	pivot bracket	.10	13	4755A2681	door pull w/screws
.15	6	4756A0061	cabinet side	.15	14	4756A8941	dr pnl. 14"x18 1/2"
.65	7	4716D0151	f-channel 24" pc.	.30	15	4756A6451	left pivot arm
				.30	16	4756A6441	right pivot arm
					17	4733-6391	latch & strike

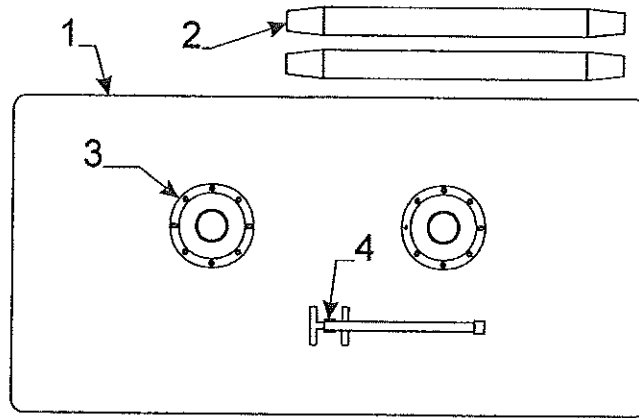
4767A6531 Wardrobe Cabinet Assy. (complete/less slide track)



Flat Rate	Code	Part #	Description
.25	1	4758-3761	wardrobe top
.30		4060475001P	t-molding (10' pc. pkg.)
.15	2	4765A0831	door panel 36 1/4" x 14 3/4"
.20	3	4766-0371	latch & strike pkg.
.10	4	4755A2681	door pull w/screws
.10	5	4739B0518	hinge
.50	6	4758A4211	wardrobe front
.65	7	4060137503P	3/8" f-channel 48" pc. pkg.
.40	8	4758-3751	magazine rack side x2
.30		4060400091P	lipped t-molding 12' pc. pkg.
.40	9	4716B2721	wood front
	10	4060015603P	u-channel 48" pc.
	11	4758-3771	wardrobe cab. side x2
.20	12	4765-8111	clothes hanger
			Note: Must cut to size
.40	13	4758-3621	wardrobe track w/stops & pivots
		4758-3631	wardrobe track angle
		1103B1012	3/4" tapping screw x6

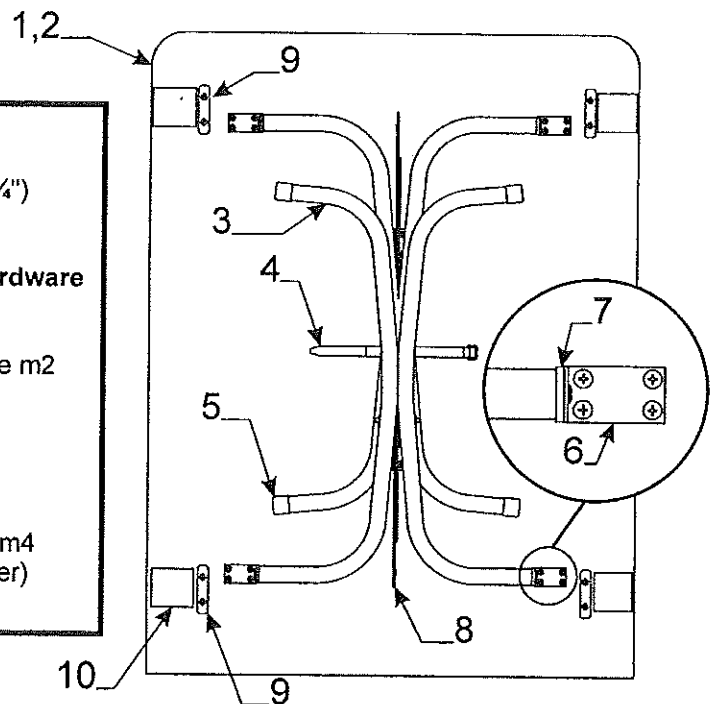


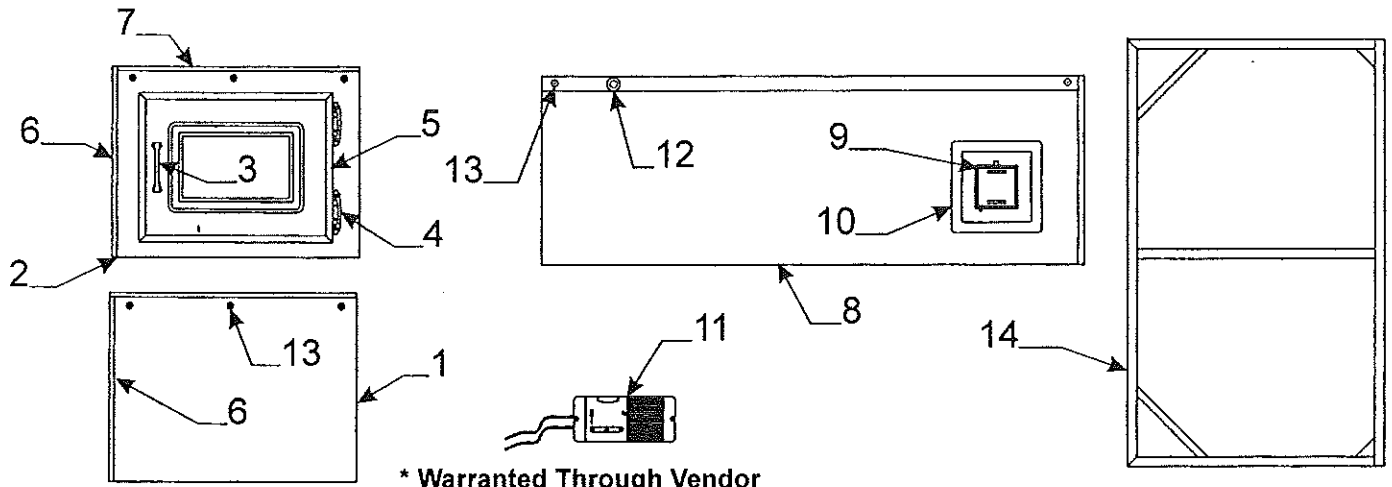
Flat Rate	Code	Part #	Description
.25	1	4758-2741	hutch top
.30		4060475001P	t-molding (14' pc. Pkg.)
.15	2	4768-5961	drawer assy.
.15	3	4758-2751	hutch front
.10	4	4755A2681	door pull w/screws
	5		Refer to your local Dometic distributor
.75	6	4756D3821	hutch front
.20	7	4752-2361	15 amp receptacle
*	8	4755B8201	nylon block x2
.10	9	4756-9041	water level monitor
1.00	10	4756B0011	gazoodi
.20	11	4757A4881	cable hookup/12 volt outlet



Pedestal Table Assembly Components - 3757 Monterey			
Flat Rate	Code	Part #	Description
.50	1	4758A2701	table top (49 3/8" x 26")
.30		4060462507P	t-molding pkg. (14' pc.)
	2	4758-3651	pedestal table leg x2
	3	4758-2711	standard base x2
		1114B10128	screw (x6 per base)
		4758-2731	recessed base x2 (loc. on floor)
	4	4758-3611	table support leg
		4738-8478	screw x4 (affix leg to table)

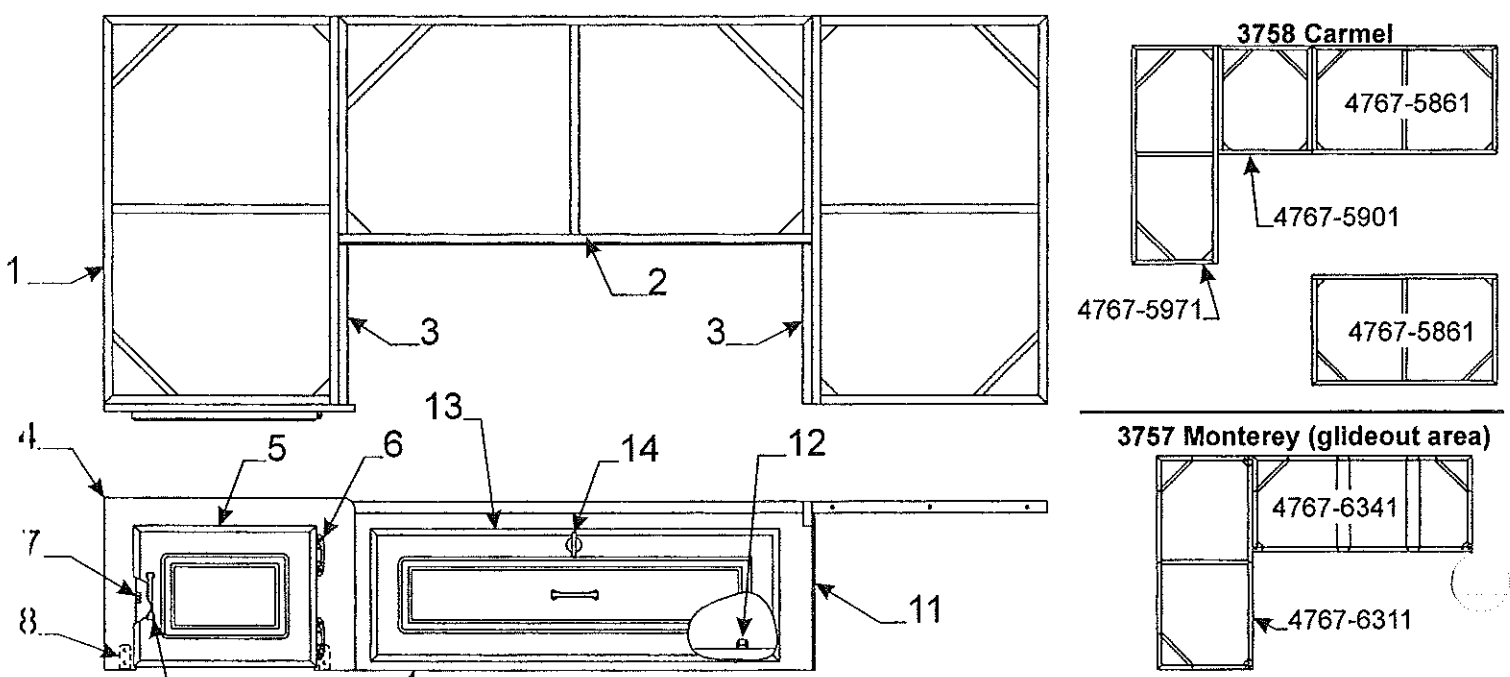
Dinette Table Assembly Components			
Flat Rate	Code	Part #	Description
.50	1	4757-9541	table top (30 1/4" x 39 1/4")
.30	2	4060462507P	t-molding pkg. (14' pc.)
.50	3	4745J5271	table leg package
Note: pkg. includes 2 legs & required mounting hardware			
.10	4	4751A9711	strap & screw pkg.
	5	4752-0551	white plastic cap m2
.15	6	4720F1211	table leg mounting brace m2
		1103E1018	5/8" wood screw
.15	7	4752A0561	table leg insert cap m2
		4747-2558	expansion rivet m2
.25	8	4744-6971	lock brace assy. x2
		1103E1018	5/8" wood screw
.15	9	4756-8741	table top plastic spacer m4
		1103B08148	7/8" screw (x2 per spacer)
.05	10	4724D2631	velcro fastener m4



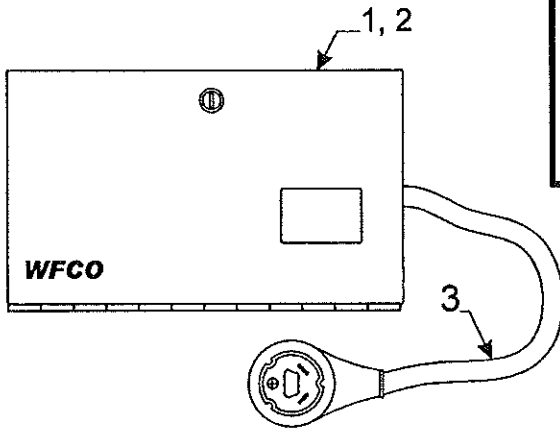


Flat Rate	Code	Part #	Description	Flat Rate	Code	Part #	Description
.30	1	4755B8161	seat end frt. 3758,89,96	.20	10	4747-8391	plastic base & bracket
.30	2	4755C1061	seat end (both benches) 3751,91,94	.25	11	4753-9171	lp gas detector
.30		4754D0371	seat end (g/out benches)		12	4724-2608	stop button
.10	3	4755A2681	door pull w/screws			1203-8651	rivet m25
.10	4	4745C26188	hinge (spring loaded)		13	4734E1861	rivet m25
.15	5	4756A8921	door panel (glide-out benches)			1202B0268	washer
.65	6	4716B1421	5/32" f-channel 24" pc.		14	4759-6021	bench frame x2 3781,95
.50	7	4060015603P	5/32" u-channel 48" pc.			4767-5861	bench frame x2 3789,96
.50	8	4716B2721	bench panel 14 1/2" x 48"			4759-5961	bench frame x2 3794
*	9	4752-8461	thermostat				

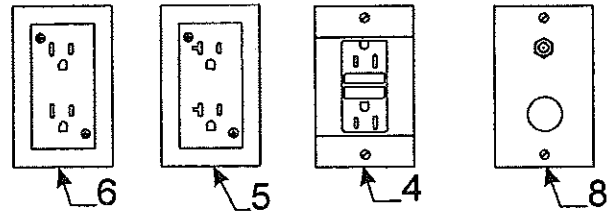
Flat Rate	Code	Part #	Description	Flat Rate	Code	Part #	Description
1.25	1	4759-5911	side bench frame 3751	.10	8	4734A3851	l-bracket
1.25	2	4759-5921	cntr bench frame 3751,91	.10	9	4755A2681	door pull w/screws
.15	3	4754B3361	cushion rest "wood"	1.25	10	4756C9021	bench front 3751,3791
.30	4	4754B3451	seat end 3751, 3791	.50	11	4716B2721	side bench front "wood"
.30		4060400091P	lipped t-molding 12' pc. Pkg.	.10	12	4757-8911	drawer roller guide
.15	5	4756A8921	door panel 12 1/4" x 16"	.15	13	4759A6321	drawer assy. 3751, 3791
.10	6	4745C26188	hinge (spring loaded)	.15		4757A8501	drawer panel 9 1/4" x 30 1/4"
.15	7	4733-6391	latch & strike pkg.	.15	14	4757A9081	brass thumb turn lock



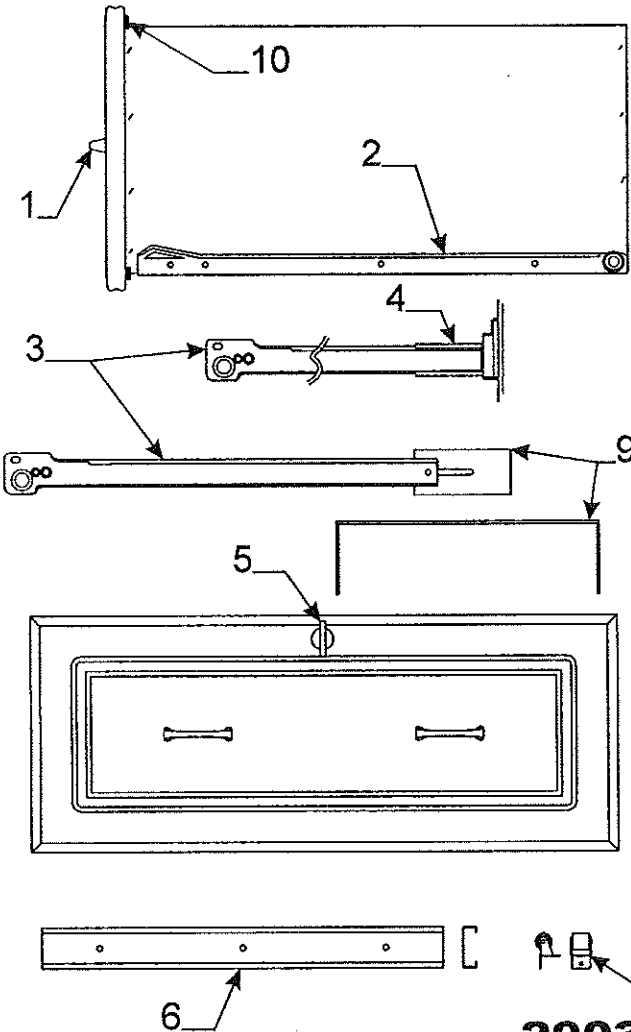
WORLD FRIENDSHIP CO., LTD
 Warranty: 800-900-2468



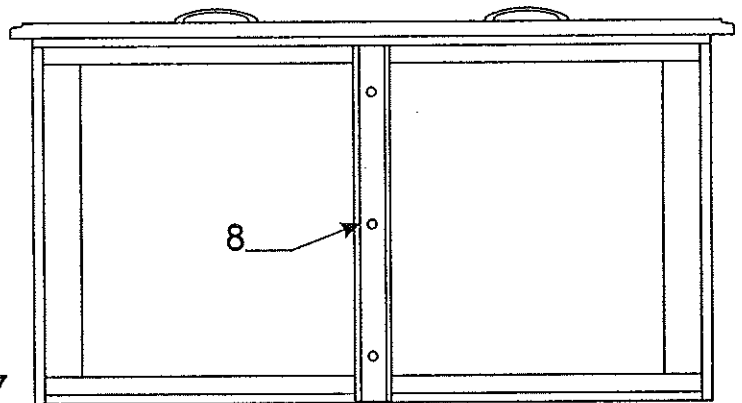
Flat Rate	Code	Part #	Description
1.00	1	4753C8201	converter 25 amp WFCO
.15	2	4716B1301	hinged converter face cover (metal)
.60	3	4744A3101	power cord 31 ft.
.35	4	4746B3841	15 amp GFI receptacle w/cover (wht.)
.35		4755-8321	20 amp GFI receptacle w/cover (wht.)
.20	5	4752-2371	20 amp receptacle w/cover (wht.)
.20	6	4752-2361	15 amp receptacle w/cover (wht.)
	7	4746A3851	receptacle box
.20	8	4757A4881	cable hook-up/12 volt outlet
		4757-8421	face plate cover

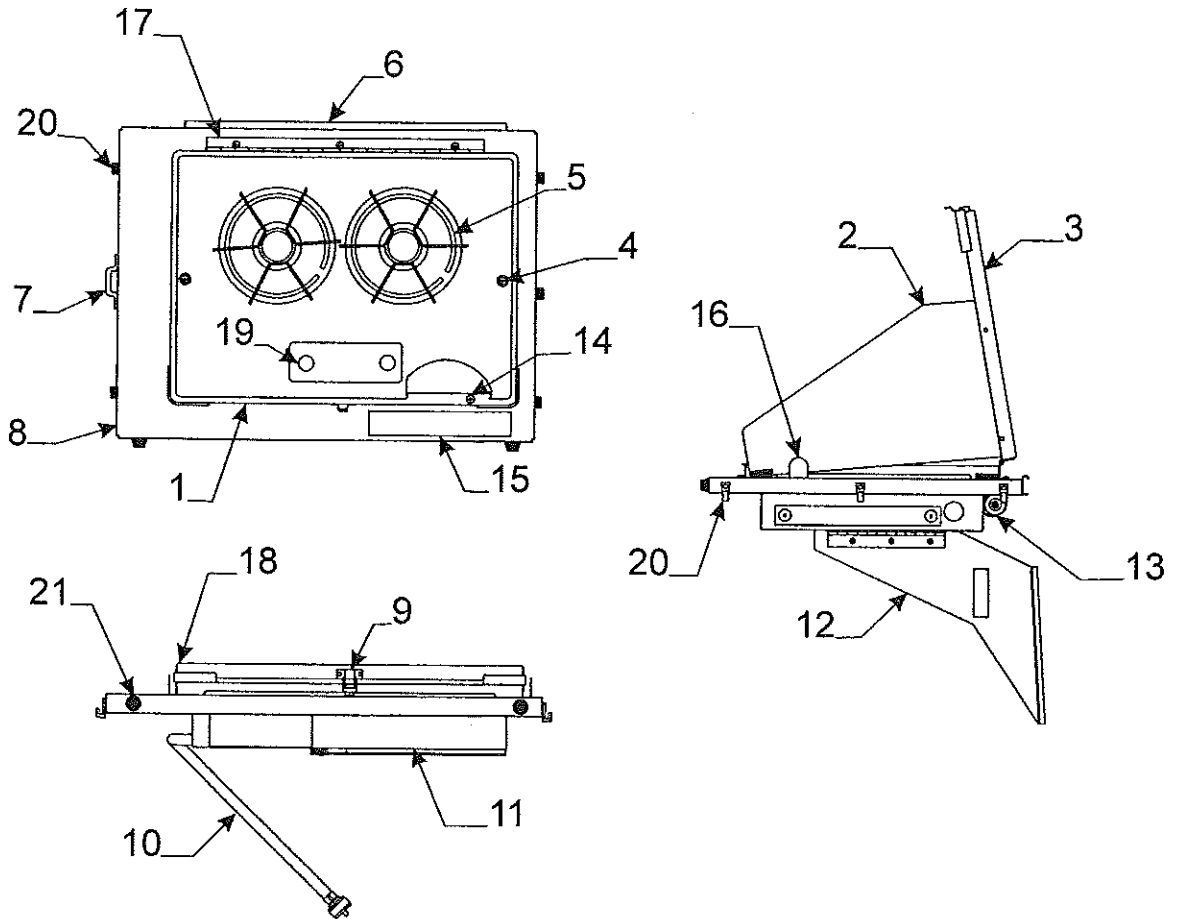


* Note: drawer guide pkg. Consist of (2) guides/slides and sockets



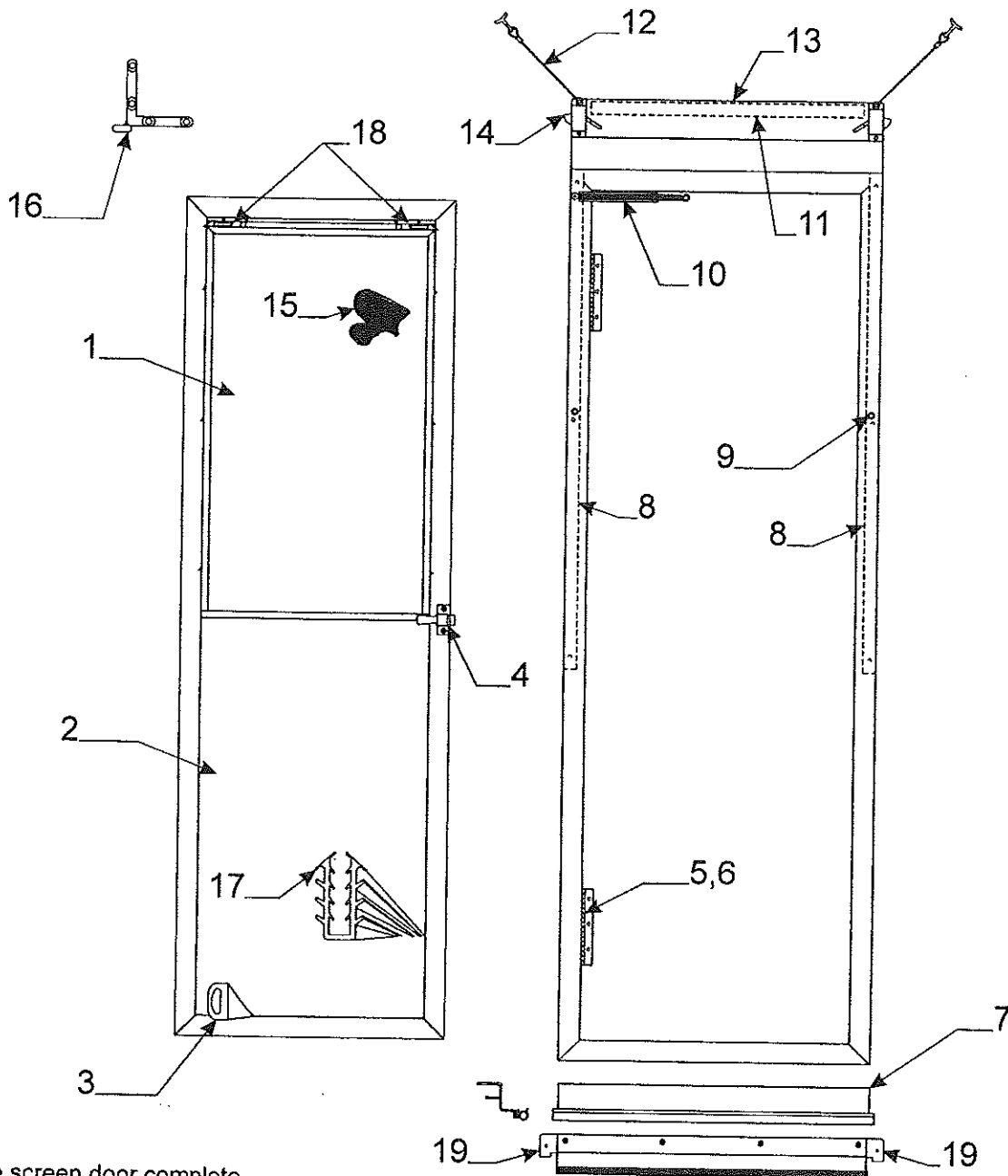
Flat Rate	Code	Part #	Description
.10	1	4755A2681	door pull w/screws
.50	2*	4716-8881	10" drawer guide pkg.
.50		4716-8831	14" drawer guide pkg.
.50		4716-8841	16" drawer guide pkg.
.50		4716-8861	20" drawer guide pkg.
.50	3	4716-8911	22" drawer guide/socket set
.25	4	4755-8801	plastic socket "left"
.25		4755-8811	plastic socket "right"
.15	5	4757A9081	brass thumb turn lock
.15		4757-9081	brass cam lock
		4730B3211	key m10 #8025
.15	6	4757-9091	14" metal drawer guide
.15		4757-8891	17" metal drawer guide
.10	7	4757-8911	drawer roller m2
.25	8	4757-9101	14" pvc i-beam drawer guide
		4757-8901	17" pvc i-beam drawer guide
.50	9	4758-1011	14 1/2" drawer guide brkt.
		4758-1001	12 1/4" drawer guide brkt.
		4766-1281	8 1/8" drawer guide brkt.
		4766-1291	11" drawer guide brkt.
		4766-1301	19 7/8" drawer guide brkt.
		4766-1311	14" drawer guide brkt.
	10	4758-8401	adhesive bumper (132 per pkg.)





Vinyl Stove Storage Pouch (4752-6601)

Flat Rate	VITCO Code	Outside HP Part #	Stove Components (all) Description
.15	1	4746B9491	porcelain cook top "white"
.25	2	4716-2661	stove fin "right"
.25		4716-2651	stove fin "left"
.15	3	4749F6601	stove cover "white"
.05	4	4716-2631	stove top screw/washer m2
.05	5	4752A9881	grate x2
.35	6	4754-0471	stove hanger brkt.
.20	7	4733B4511	steel loop m2
.60	8	4758B1971	metal counter top
.15	9	4733-4018	latch
.15		4733-4028	latch strike
.25	10	4746A9891	gas hose
.75	11	4746C9481	stove box
.25	12	4746B9221	outside stove flap
.15	13	4734-2431	gripper clip m4
	14	4716-4591	screw & weld pin m4
	15	4742-9538	h.p. decal
.15	16	4716-2641	fin stay brkt. m2
.10	17	4716-2671	stove cover hinge
	18	4732A2291	edge molding m2
	19	4716-2681	h.p. stove knob m2
	20	4720D4021	lashing hook m6
	21	4758-1961	rubber bumper m2

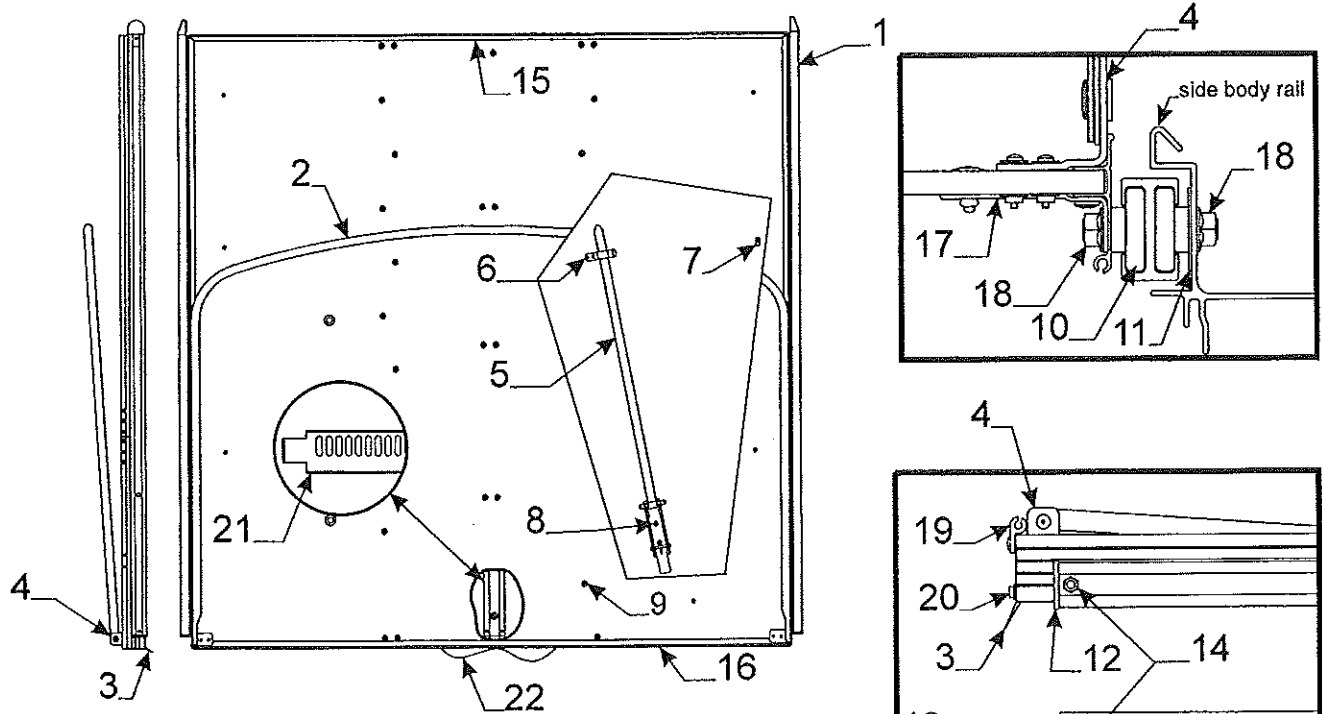


.30 flat rate screen door complete

4747N53781 Screen Door Assy. (All) Painted Arctic White

Flat Rate	Code	Part #	Description	Flat Rate	Code	Part #	Description
.10	1	4716D3401	top sliding window pane	.25	14	4741-8658	sash lock x2
.40	2	4754B1541	stationary window pane			4747A9231	rivet m25
.15	3	4750-3591	rubber seal (18" lengths)			1202B2698	washer
.15	4	*4742-9671	door latch assembly			4733-3398	plastic spacer
.15	5	4720C3601	hinge "unpainted" x2			4733D0601	rivet m25
.25	6	4733D0601	rivet m25	.10	15	4716-1381	screened stationary pane
	7	*4747B2011	screen door support	.75		4716-1111	screening 36" x 18 1/2"
		*4060000399F	rubber seal (sold/foot)	.50	16	4710A3791	corner brace hinge m2
.20	8	4754-3811	vel-stick & hardware x2		17	4060000086F	rubber seal (sold/foot)
.05	9	4730A3548	stud w/screw x2				Note: around perimeter of window pane
.20	10	4731A8201	spring pkg.	.20	18	4716-3811	window lock pkg. rt./lt.
.50	11	4060000400F	d-seal (sold/foot)				Note: pkg. includes rt./lt lock, springs & rivets
.15	12	4734E5211	cable assembly m2 (all)		19	4758A1741	threshold caps & screws
.50	13	4753A4501	top bracket				

*Note: parts marked w/ asterisk are excluded from screen door



Flat Rate .75 Bed assy. replacement

3758,89,91	4759C5841	Front Bed Assy. "Complete" (king)
3758,81,96	4759B5861	Rear Bed Assy. "Complete" (regular)
3796 Cheyenne	4759B5851	Front Bed Assy. "Complete" (king)
3751,81,94,78,95	4759B5831	Front Bed Assy. "Complete" (king)
3751,81,91,94,78,95	4759B5821	Rear Bed Assy. "Complete" (king)
3757 Monterey	4767-6181	Front Bed Assy. "Complete" (king)
3757 Monterey	4767-6191	Rear Bed Assy. "Complete" (king)

* .50 First Bed Extension
* .25 Second Bed Extension

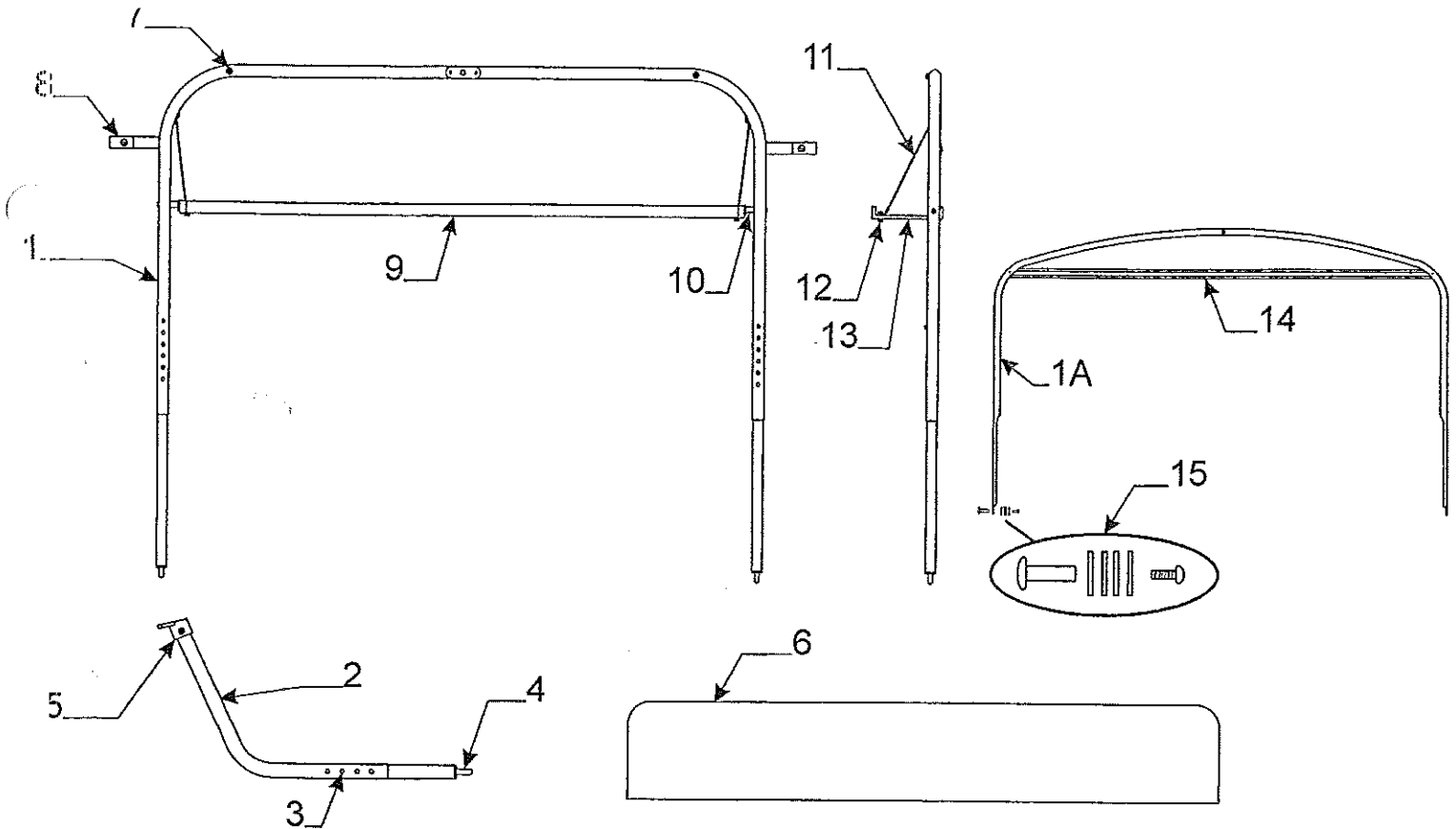
Flat Rate	Front/Rear Bed Assy. Components	Flat Rate	Code	Part #	Description
*	1 4716U4031 bed extension (x2 per bed)	.50	9	1203C8721	rivet m25
	Note: must cut to size if needed for regular bed assy.				
.25	2 4714C1901 tent bow/leg package		10	4754-8101	bed roller, nut, bolt, & washer pkg.
.25	3 4060300339P vinyl bed seal (8' pc. pkg.)	.15	11	1202B2908	washer
.15	4 4720K5631 bed bow bracket m2	.15	12	4754-8631	bed slide end cap
	4757-9241 1 1/2" plastic fender washer m2	.20	13	4754-4821	bed slide wedge
	1203C8721 steel rivet m25 (affix bow to brkt.)		14	1034B16128	flat head screw
	1016B10148 machine screw x2 per brkt.		15	1201B6378	lock nut
	1201B6958 wiznut x2 per brkt.	1.50	16	4758-2631	inside bed frame (king bed)
.30	5 4759A5881 bed leg assy. (x2 rear "reg." beds)	1.50	17	4758A8981	inside bed frame 3757 Monterey
.30	4759A5871 bed leg assy. (x2 rear "king" beds)	1.50	18	4720G1181	inside bed frame (regular bed)
.30	4759A5891 bed leg assy. (x2 front 3758,89,91)	1.50	19	4758A8561	outside bed frame (king bed)
.30	4759A5901 bed leg assy. (x2 front "king" beds)	1.50	20	4758-2631	outside bed frame 3757 Monterey
	Note: Individual bed leg pieces NOT AVAILABLE				
.15	6 4757-4331 bed leg clip	.20	21	4758A8571	outside bed frame (regular bed)
	1203-8831 rivet m25 (rivet clip to bed)	.50	22	4755A2591	bed brkt. w/hardware x4
.15	7 4720D4021 lashing hook m6	.75	18	4739-2298	lock nut
	1203-8741 rivet m25 (rivet hook to bed)	.20	19	4758-8301	bed end retainer track & rivets
.20	8 4714-4521 mounting screws (pkg. of 3 each)		20	4730A3548	stud w/screw x2 per bed
	Pkg. includes screws, washers, plastic caps and washers				

Flat Rate
Mattress Assy. .10/Cover .50

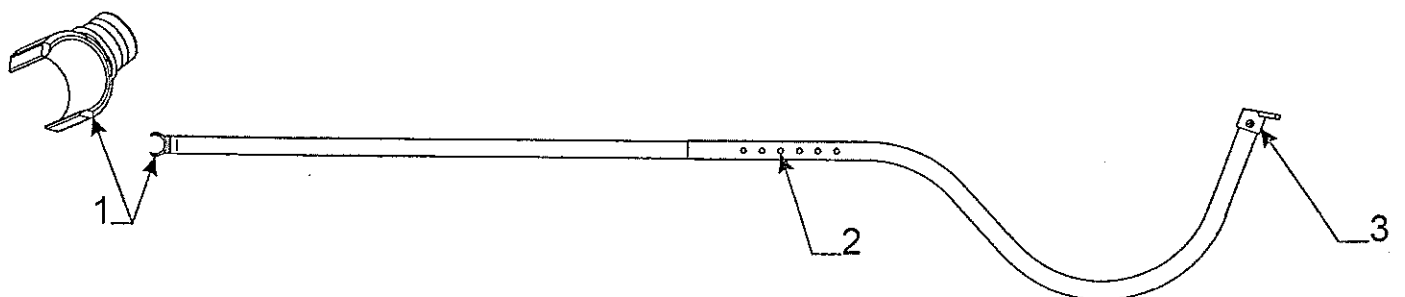
Mattress Size
King Bed - 77" x 70" x 3 1/2" / Regular Bed - 77" x 48" x 3 1/2"

Mattress Assemblies & Covers

Model	Frnt. Matt. assy.	Frnt. Matt. Cover	Model	Rear Matt.	Rear Matt. Cover
All models	4754G5341	4716G5341	3758,89,96	4754G5331	4716G5331
			3751,81,91,94,78,95,57	4754G5341	4716G5341



Flat Rate	Code	Part #	Description	Flat Rate	Code	Part #	Description
.10	1	4755C5611	tip-out tent bow assy. 3751,78,91,57				
.10	1A	4756A2071	glide-out tent bow 3778,81,95,57	.10	11	4734G5211	lock nut x2
.05	2	4754C6761	tip-out tent support 3751,78,91,57		12	1226D1381	cable assy. x2
.05		4756B6661	glide-out tent support 3778,81,95,57			4754-0608	snap stud x2
.10	3	4734-6708	spring			1202B2698	screw x2
.20	4	8470-1728	black pin m10			1201C6448	washer x2
.10	5	4757-1351	tip-out support tip w/screw		13	4757-0941	lock nut x2
.10	6	4755-0971	tip-out support board	.40	14	4757A8021	end cap x2
.05	7	4730A3548	stud w/screw x2				curtain track
.05	8	4757-4941	strap x2			1203-8951	(Glide-outs only)
.30	9	4759B6121	shelf assy. w/mounting hardware		15	4716-4451	rivet m25
.10	10	4751-3431	nylon spacer m4				glide-out bow mounting hardware pkg.
		4744E2468	screw x2				



Flat Rate	Code	Part #	Description
.20	1	4757-4301	tent support clasp m10
.10	2	4734-6708	spring assy.
.10	3	4757-1351	tent support tip w/screw

Tent Support Assemblies (Complete)		
Flat Rate .10 per Tent Support		
Model	Front Bed	Rear Bed
3758,89,96	4741L5581	4741H5591
3751,81,91,94,78,95	4741L5581	4741L5581
3757 Monterey	4768-6221	4768-6221

(

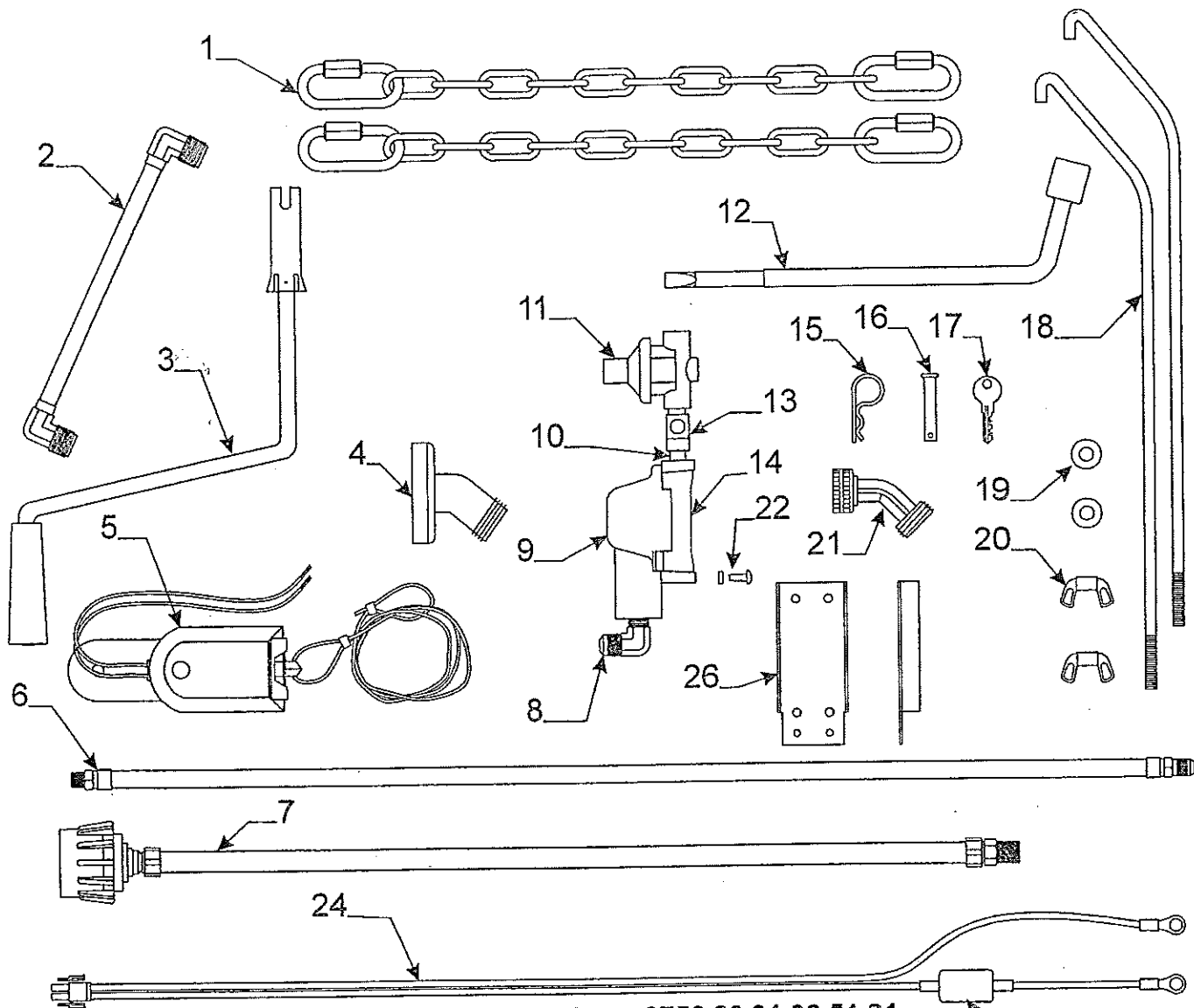
(

(

(

(

(



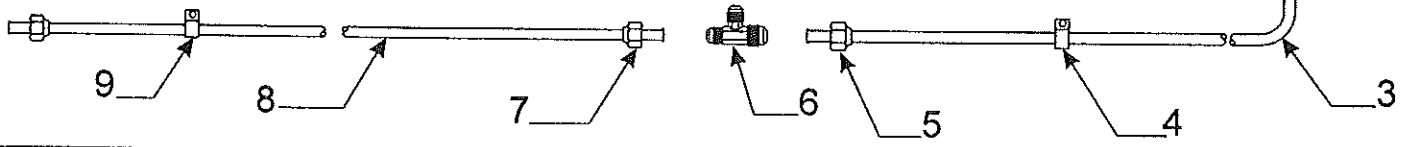
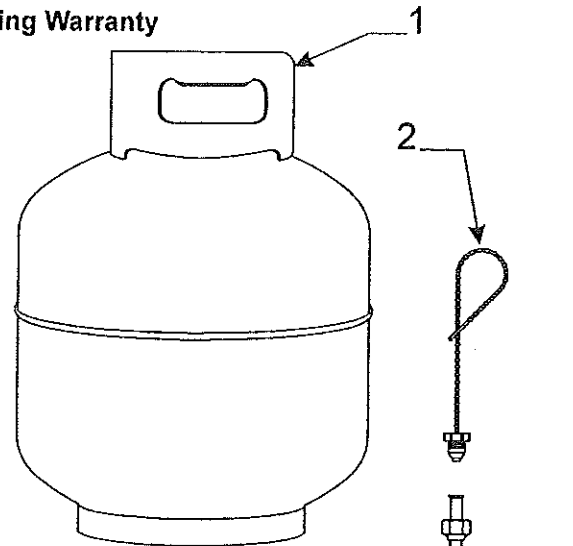
4754F8521 Parts Package 3758,89,91,96,51,81
***4754G4391 Parts Package 3794**
4750H6111 Parts Package 3778, 3795, 3757
4768-6301 Parts Package 3757 Monterey

*Note: parts package used on 3758,89,91,96,51,81 with standard factory hot water

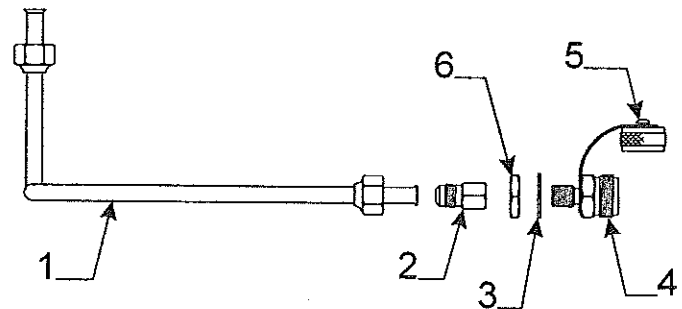
Flat Rate	Parts Package Code	Component Part #	Description	Code	Part #	Description
	1	4757-3901	29" tow chain w/quick links m2	15	4732A4791	safety pin m10
		4757-3891	quick link (sold/signally)	16	4771-2631	hitch pin m5
	2	4746-5381	winterizing adapter	17	4730B3211	key m10 # 8025 (gold plated)
	3	4747G4141	crank handle	18	4733G6281	gas bottle mounting brkt. pkg.
	4	4737-9138	drain adapter			Note: pkg. includes (2) wing nuts, washers
	5	4746-0401	breakaway switch	19	1202B0468	washer x2 m10
.45	6	4742-8081	gas hose "high pressure"	20	1201-6258	wing nut x2
.45	7	4733C3991	gas hose w/acme nut 30"	21	4744-2651	gooseneck
.45		4733D3991	gas hose w/acme nut 21"	22	1143B10081	mounting screw m2
	8	4753-8981	3/8" x 3/8" elbow (non hot water)		0322A3301	brass spacer m2
		4755-0421	1/2" x 3/8" elbow (hot water)	23	4741-3268	valve stem extension x2
	9	4734C3781	regulator cover (plastic)	24	4749B5531	battery harness w/15 amp breaker
	10	4755-0661	1/4" hex nipple		4768-6291	battery harness w/40 amp breaker
.45	11	4742A8041	high pressure regulator	25	4751-4811	15 amp circuit breaker
	12	4749A1861	lug nut wrench		4759-0081	40 amp circuit breaker
	13	4739-6998	brass elbow	26	4741C9431	regulator mounting brkt.
45	14	4742-8051	regulator "low pressure"			

**** Serial Number Of Gas Bottle Must Be Supplied When Submitting Warranty**

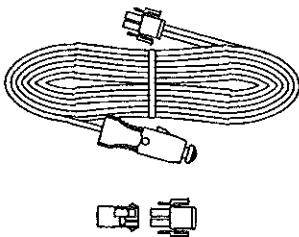
Flat Rate	Gas System & Related Parts
Code	Part # Description
.15**	1 4720J5928 gas bottle (arctic white)
	4724K6441 black vinyl bottle cover
	2 4737A838 1/2" plastic cap & strap
	4733A3888 3/8" plastic cap & strap
.50	3 1/2" copper gas line purchase locally
	4 1201-8738 1/2" clamp "rubber coated"
	5 1215-2438 1/2" flare nut
.50	6 1215-1781 brass tee - 1/2" x 3/8" x 3/8"
.50	1215-1771 brass tee - 3/8" x 3/8" x 3/8"
	7 1215-2418 3/8" flare nut
.50	8 3/8" copper gas line purchase locally
	9 1201-8708 3/8" clamp "rubber coated"



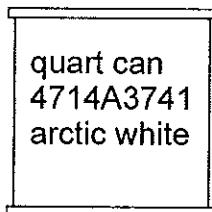
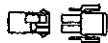
Flat Rate	HP Outside Stove Hookup Components
Code	Part # Description
.50	1 3/8" copper gas line purchase locally
	1215-2418 3/8" flare nut
.40	2 4742-8061 brass coupling
.40	3 4757-8031 star lock washer x1
.40	4 4739-6978 brass cylinder adapter
.40	5 4742-8071 brass cap & strap
.40	6 4755-4791 brass nut



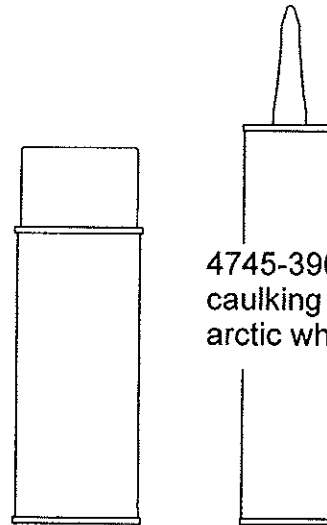
4733D6701 auto extension



4716A4701 12 volt cap & plug m2



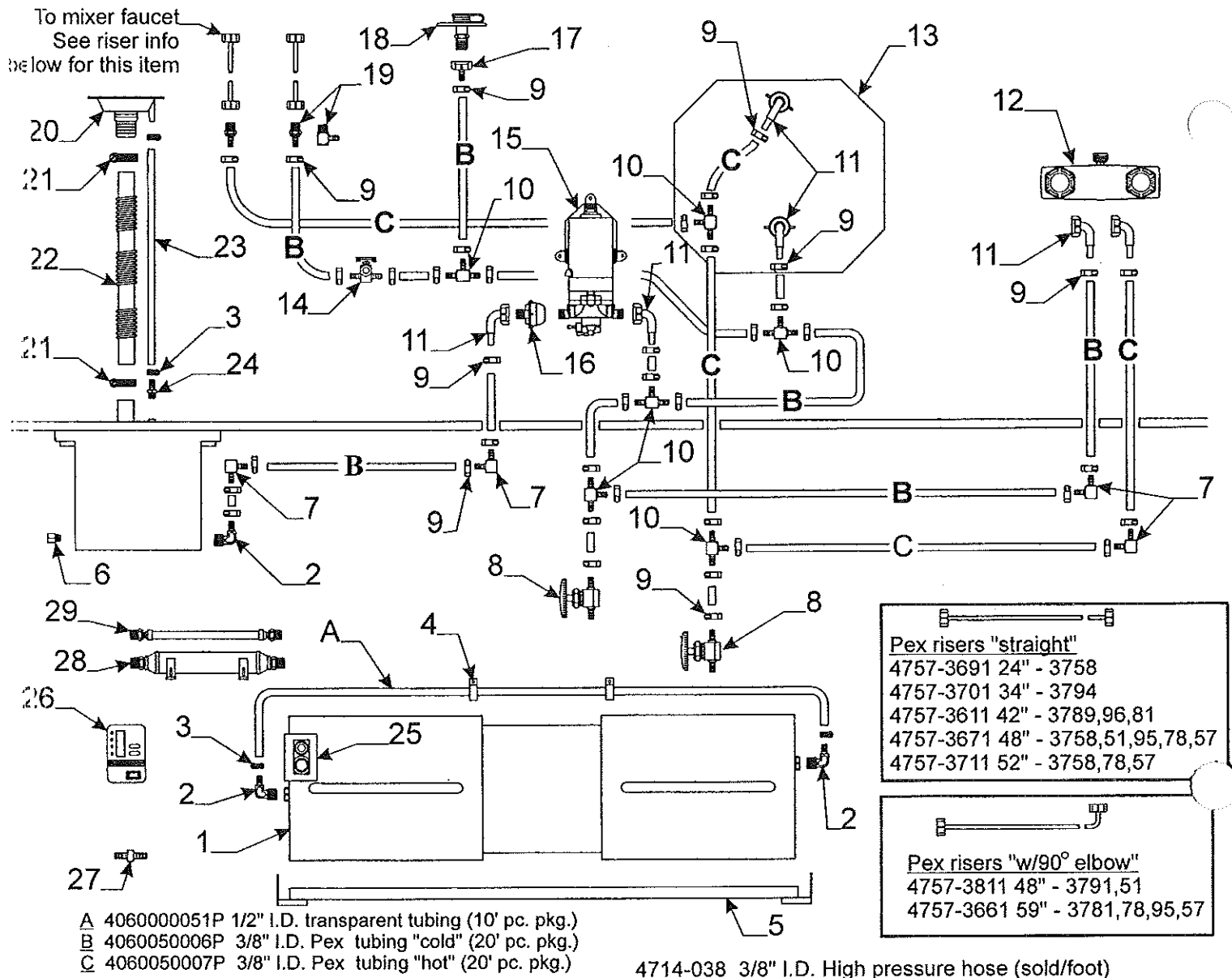
quart can
4714A3741
arctic white



4745-3908
caulking
arctic white

16 oz. spray

- 0008-2561 arctic white
- 0008-2571 black (Main Frame paint)
- 0008-2641 black "textured" (Bumper/A-frame paint)
- 0008-2631 russian maple



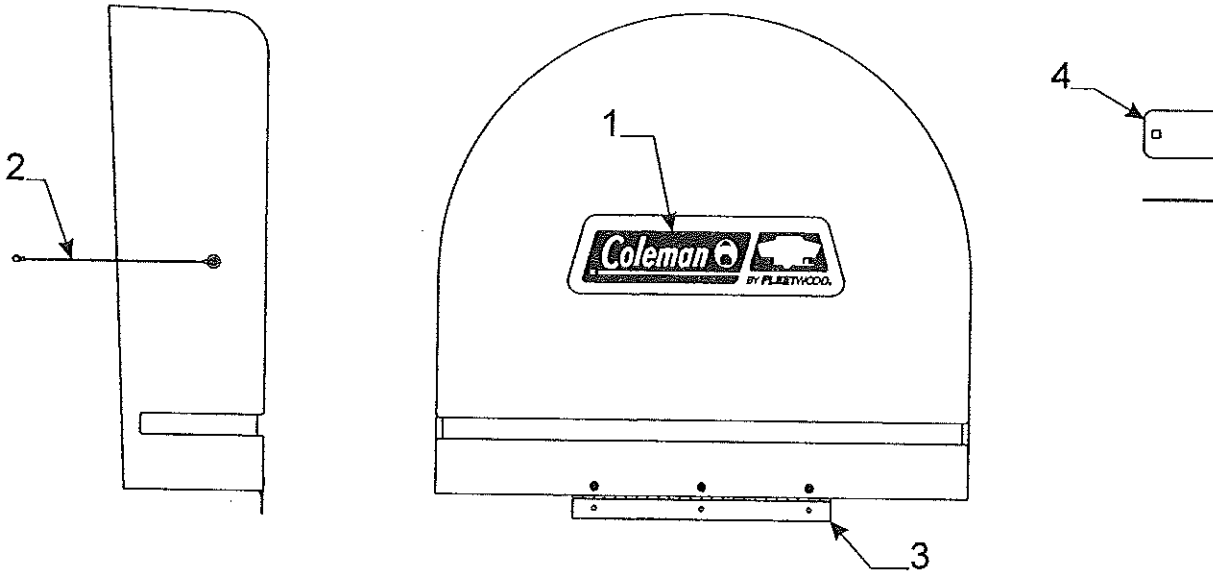
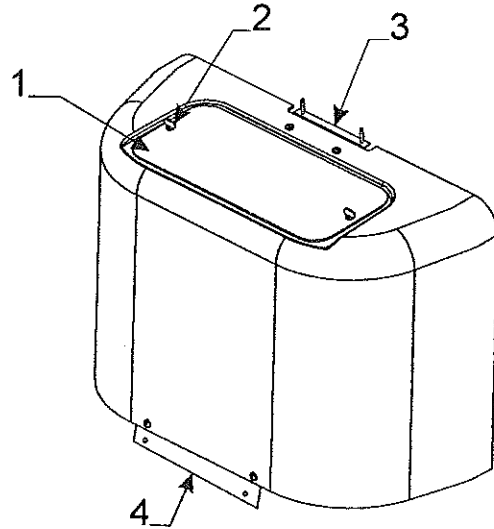
Flat Rate	Code	Part #	Description	Flat Rate	Code	Part #	Description
1.50	1	4757B0521	water tank w/out hot water 3758,3789,3796	.20	11	4741B9061	copper swivel elbow
1.50		4757A0471	water tank w/hot water 3758,89,91,96	.50	12	4741B2071	shower diverter
1.50		4756B8101	water tank 3751	*	13	4750-3421	water heater (all)
1.50		4756A2731	water tank 3781,94	.25	14	4758-1411	water filter tee w/shutoff valve
1.50		4756A8881	water tank 3778,95,57	.50	15	4741C5571	electric water pump
.25	2	4741C2371	elbow "plastic"	.25	16	4747A8311	water filter
	3	4731-3058	adjustable hose clamp 3/8"	.20	17	4741A9561	female adapter "copper"
	4	1201-8658	tube clamp	.30	18	4732F1521	city fill
.20	5	4755A6581	tank hanger 3778,81,95,94,57	.20	19	4757-3631	brass adapter 3/8" barb "Pex"
.20	**	4758-5391	tank hanger x2 3758,89,96	.20		4758-1341	1/2" mpt x 3/8 elbow "Pex"
.20		4758-5381	tank hanger x2	.30	20	4731D1711	fill spout
.20		4756A5991	tank hanger x1 3751	.20	21	4715-4501	adjustable hose clamp
.5	6	1218-7001	plug	.35	22	4731H1081	water fill hose (3' pc.)
.25	7	4741C2391	brass elbow "Pex" m2	.20	23	4060050003F	1/2" h.p. hose (sold/ft.)
.20	8	4741E2361	brass line drain "Pex"	.15	24	4732B4561	hose adapter
.25	9	4741A2751	stainless steel clamp m100	.50	25	4742A8631	tank gasket 3778,81,94,95
.25	10	4741C2381	brass tee "Pex" m10	.25	26	4756-9041	water level monitor 3778,95,57
				.20	27	4755-4821	brass barbed union m10
				.20	28	4765B1411	in-line filter & holder 3778,95,57
				.20	29	4768-6161	in-line filter by-pass (winterizer)

*** Note: Units w/factory HOT water will use 4758-5381 hangers

* Warranted By Vendor

Molded Gas Bottle Cover Assembly (4749L1341)

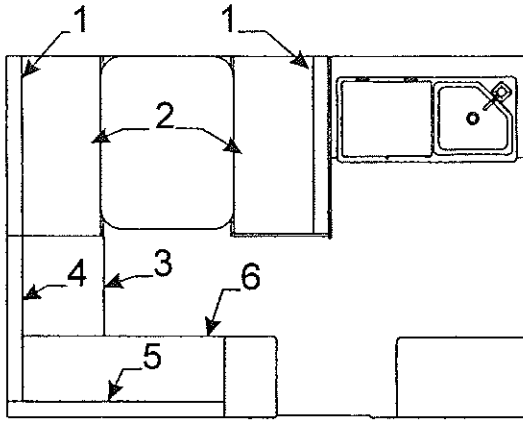
Flat Rate	Gas bottle cover components		
Code	Part #	Description	
.40	1	4757-2741	lp lid w/latches & seal
		4060000011P	lid seal pkg. (4' pc.)
	2	4757-2771	wing screw/washer & clip pkg.
		Note: pkg. consist of (2) pcs. each	
	3	4757A2731	lp cover top keeper
		1121C1618	screw x2
		4732-1181	plastic grommet M4
	4	4757-2721	lp cover bottom keeper
		1121C1618	screw x2
		4732-1181	plastic grommet M4



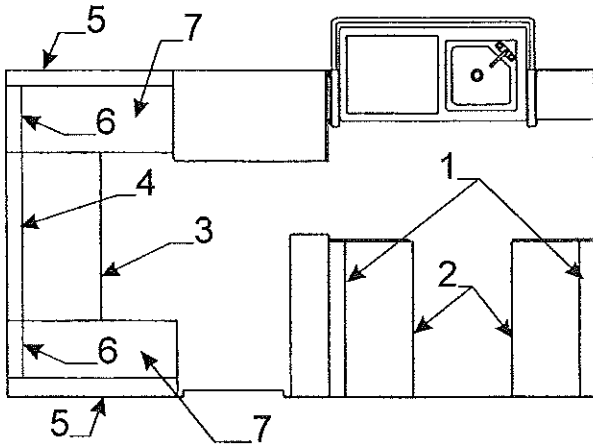
**.40 Molded Tire Cover Assembly - 4753A6771 (standard on 3778, 3795, 3757)
4716-6771 Hardware parts package**

*Note: package includes items marked with asterisk **

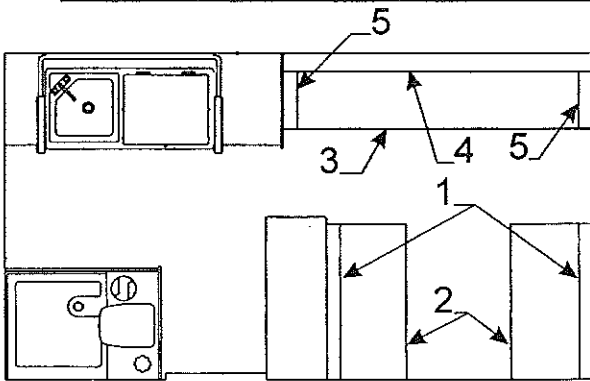
Flat Rate	Tire cover components		
Code	Part #	Description	
.25	1	4752C0788	by fleetwood decal
	2	4753A8041	cable
		1202E0408	washer x1
		4741D96568	expansion rivet m25
	3	4753-8031	hinge
		4733D0601	rivet m25
	4	*4753-3651	keeper bracket
		*4732-1181	grommet x1 m4
		*1121C1618	screw x1
		*4741D96568	expansion rivet x3 m25
		*1202B0268	washer x1



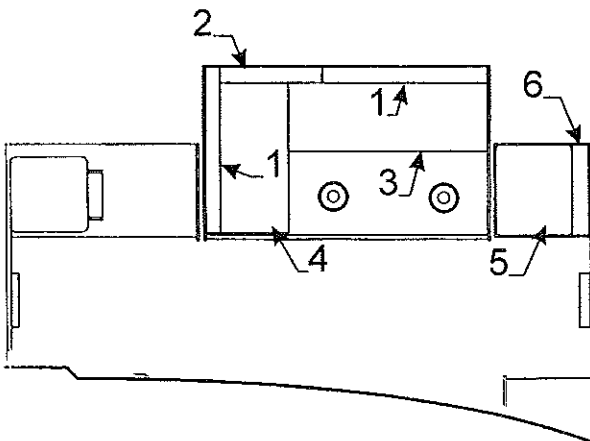
Flat Rate	Cushion & Backrest Assy.'s 3758 Carmel		
	Code	Part #	Description
.10	1	4754H5231	backrest assy. 42 3/4" x 16 3/8" x 4"
.25		4714H5231	backrest cover
.10	2	4754H5241	cushion assy. 43 1/4" x 19 3/8" x 4"
.25		4714H5241	cushion cover
.10	3	4767-5931	cushion assy. 18 1/4" x 23" x 4"
.25		4714-5931	cushion cover
.10	4	4767-5951	backrest assy. 32" x 12" x 4"
.25		4714-5951	backrest cover
.10	5	4767-5941	backrest assy. 48 3/8" x 12" x 4"
.25		4714-5941	backrest cover
.10	6	4767-5921	cushion assy. 48 3/8" x 19" x 4"
.25		4714-5921	cushion cover



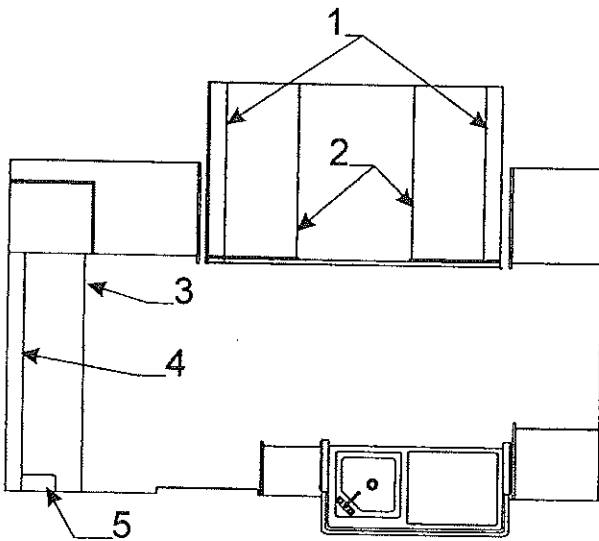
Flat Rate	Cushion & Backrest Assy.'s 3751 Mesa		
	Code	Part #	Description
.10	1	4758E5741	backrest assy. 38 1/2" x 15 3/4" x 4"
.25		4714E5741	backrest cover
.10	2	4756G5631	cushion assy. 39 1/2" x 18" x 4"
.25		4714G5631	cushion cover
.10	3	4754F6391	cushion assy. 40 5/8" x 17" x 4"
.25		4714F6391	cushion cover
.10	4	4754F6351	backrest assy. 40 5/8" x 16 3/8" x 4"
.25		4714F6351	backrest cover
.10	5	4754F6341	backrest assy. 33" x 12 3/8" x 4"
.25		4714F6341	backrest cover
.10	6	4756E0411	backrest assy. 15" x 12 3/8" x 4"
.25		4714E0411	backrest cover
.10	7	4754F6371	cushion assy. 20" x 33" x 4"
.25		4714F6371	cushion cover



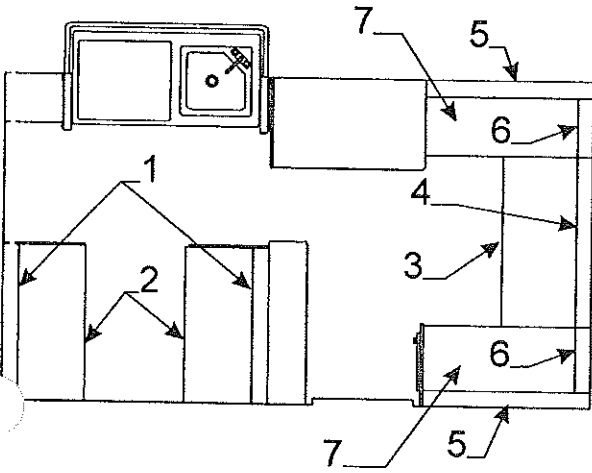
Flat Rate	Cushion & Backrest Assy.'s 3794 Westlake		
	Code	Part #	Description
.10	1	4758E5741	backrest assy. 38 1/2" x 15 3/4" x 4"
.25		4714E5741	backrest cover
.10	2	4756G5631	cushion assy. 39 1/2" x 18" x 4"
.25		4714G5631	cushion cover
.10	3	4758C6191	cushion assy. 66" x 20" x 5"
.25		4714C6191	cushion cover
.10	4	4758C6201	backrest assy. 66" x 13" x 5"
.25		4714C6201	backrest cover
.10	5	4758C6211	arm rest 15" x 5 1/2" x 5 1/2"
.25		4714C6211	arm rest cover



Flat Rate	Cushion & Backrest Assy.'s 3757 Monterey		
	Code	Part #	Description
.10	1	4767-6201	backrest assy. 40 1/4" x 15 1/2" x 4"
.25		4714-6201	backrest cover
.10	2	4767-6211	backrest assy. 29 3/4" x 15 1/2" x 4"
.25		4714-6211	backrest cover
.10	3	4767-6241	cushion assy. 47 1/4" x 19 3/8" x 4"
.25		4714-6241	cushion cover
.10	4	4767-6231	cushion assy. 40 1/4" x 19 3/8" x 4"
.25		4714-6231	cushion cover
.10	5	4767-6251	cushion assy. 23" x 16 1/2" x 4"
.25		4714-6251	cushion cover
.10	6	4767-6221	backrest assy. 23" x 15 1/2" x 4"
.25		4714-6221	backrest cover



Flat Rate	Cushion & Backrest Assy.'s 3778 Bayside		
	Code	Part #	Description
.10	1	4757F5591	backrest assy. 42 1/4" x 15 1/2 x 4"
.25		4714F5591	backrest cover
.10	2	4754H5241	cushion assy. 43 1/4" x 19 3/8" x 4"
.25		4714H5241	cushion cover
.10	3	4757D6591	cushion assy. 57" x 20" x 4"
.25		4714D6591	cushion cover
.10	4	4757D6581	backrest assy. 55 1/2" x 15 1/2" x 3 1/2"
.25		4714D6581	backrest cover
.10	5	4758C6211	arm rest 15" x 5 1/2" x 5 1/2"
.25		4714C6211	arm rest cover



Flat Rate	Cushion & Backrest Assy.'s 3791 Sun Valley		
	Code	Part #	Description
.10	1	4758E5741	backrest assy. 38 1/2" x 15 3/4" x 3 1/2"
.25		4714E5741	backrest cover
.10	2	4756G5631	cushion assy. 39 1/2" x 18" x 4"
.25		4714G5631	cushion cover
.10	3	4754F6391	cushion assy. 40 5/8" x 17" x 4"
.25		4714F6391	cushion cover
.10	4	4754F6351	backrest assy. 40 5/8" x 16 3/8" x 4"
.25		4714F6351	backrest cover
.10	5	4758-2481	backrest assy. 37 1/2" x 12 3/8" x 4"
.25		4714-2481	backrest cover
.10	6	4756E0411	backrest assy. 15" x 12 3/8" x 4"
.25		4714E0411	backrest cover
.10	7	4758-2501	cushion assy. 37 1/2" x 20 1/8" x 4"
.25		4714-2501	cushion cover

Cushion Button x2 - 4710-2681 m5

Dinette Cushion/Backrest Assemblies & Covers

Flat Rate .10 Assembly - .25 Cover

Model	Cushion Assembly	Cushion Cover	Model	Backrest Assembly	Backrest Cover
3781,96,89,95	4754H5241	4714H5241	3789,3796	4754H5231	4714H5231
			3781,78,95	4757F5591	4714F5591

CS Couch Cushion/Backrest Assemblies & Covers

Flat Rate .10 Assembly - .25 Cover

Model	Cushion Assembly	Cushion Cover	Model	Backrest Assembly	Backrest Cover
3796, 81, 95	4758C6191	4714C6191	3796, 81	4758C6201	4714C6201
3795 Niagara	4757D6761	4714D6761	3795 Niagara	4757D6771	4714D6771

CS Couch Arm Rest Assemblies & Covers

Model	Arm Rest Assy.	Arm Rest Cover	Flat Rate .10 Assembly - .25 Cover
3796,81,94,95	4758C6211	4714C6211	

Cushion/Backrest Dimensions

Model	Cushion Assembly	Backrest Assembly
3789,96,81,95	43 1/4" x 19 3/8" x 4"	42 3/4" x 15 3/8" x 4"

Couch Cushion/Backrest Dimensions

Model	Cushion Assy.	Backrest Assy.
3796,3681	66" x 20" x 5"	66" x 13" x 5"
3795	42 1/2" x 23" x 4"	42 1/2" x 14" x 4"

Drape Package (Less Valance Pkg.) "Color - Edinburgh Moss"

Note: Drape Pkg. Includes Privacy Curtains x4

Model	Drape Pkg.	# Of Panels	Flat Rate
3758 Carmel, 3789 Santa Fe	4754J5711	9	.30
3796 Cheyenne	4754H5501	9	.30
3751 Mesa, 3791 Sun Valley	4755H6181	11	.30
3781 Utah	4757F5531	11	.30
3778 Bayside, 3757 Monterey	4755G2981	10	.30
3794 Westlake	4755G6461	9	.30
3795 Niagara	4753J6451	11	.30

Drape Tab C-Shape m60 - 4750-2891
Flat Rate - .05

Valance Package - ABS Tops

4755D2771 - 3758, 3789

4755D2781 - 3796

4755D2801 - 3751, 81, 91, 94, 95, 78, 57

Valance Package - AlumiTite Tops

4768-6181 - 3758, 3789

4768-6171 - 3796

4768-5951 - 3751, 81, 91, 94, 95, 78, 57

Privacy Curtain Pkg. (Set Of 2 Panels)

.15 4723K7901 - (all) Curtain size - 44 3/4" x 45"

Single Drape Panel W/Safety Straps

Note: refer to unit floor plan for size & quantity

.15 4716G9151 Drape pnl. 22" x 45"

.15 4716C9141 Drape pnl. 24" x 45"

.15 4716E8721 Drape pnl. 35" x 45"

.15 4716D8711 Drape pnl. 43" x 45"

.15 4716E7821 Drape pnl. 48" x 45"

Drape Tie Package (Qty. 1) - 4753G9801 (all)

Flat Rate - .05

Potty Curtain Pkg. 3781, 58, 89, 57 - 4756F8411

(Factory Installed Potty Cab.)

Flat Rate - .20

Tip-out valance - 4759B6141 - 3751, 3791, 3778, 3757

Flat Rate - .20

Glide-out curtain & valance - 4714F5531 - 3781, 3778, 3795, 3757

Flat Rate - .20

Dressing room curtain - 4753F9821 - 3794 / 4756E6331 - 3795

Flat rate - .20

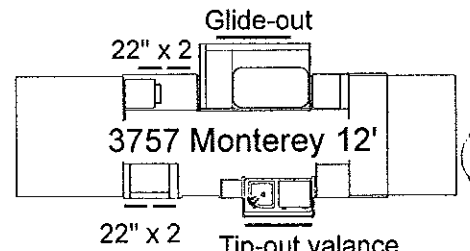
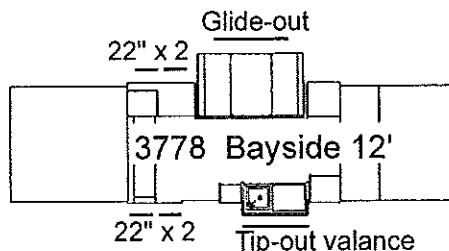
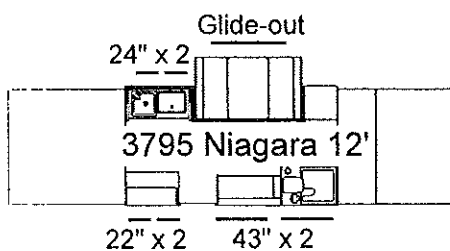
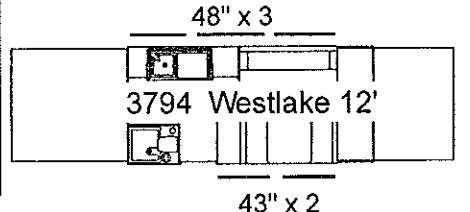
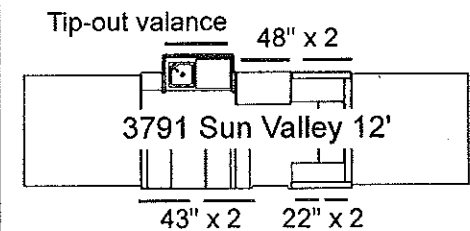
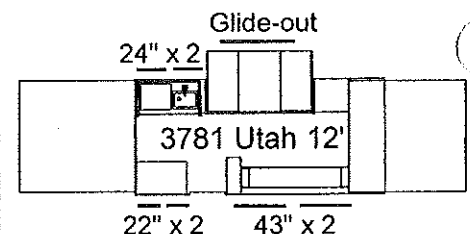
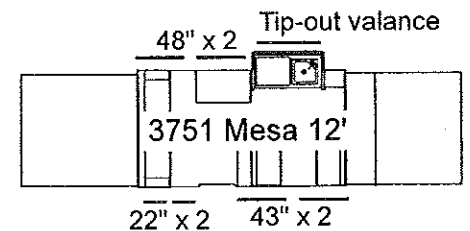
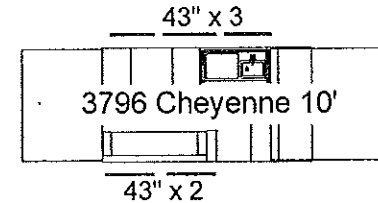
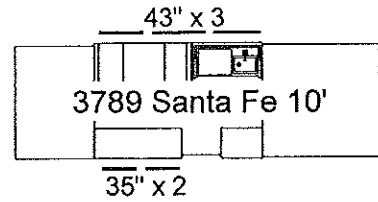
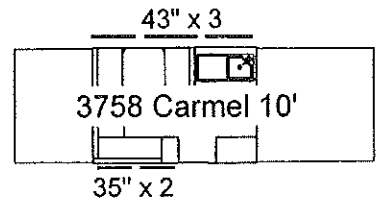
Shower curtain "white vinyl" - 4749A6661 - 3794, 95

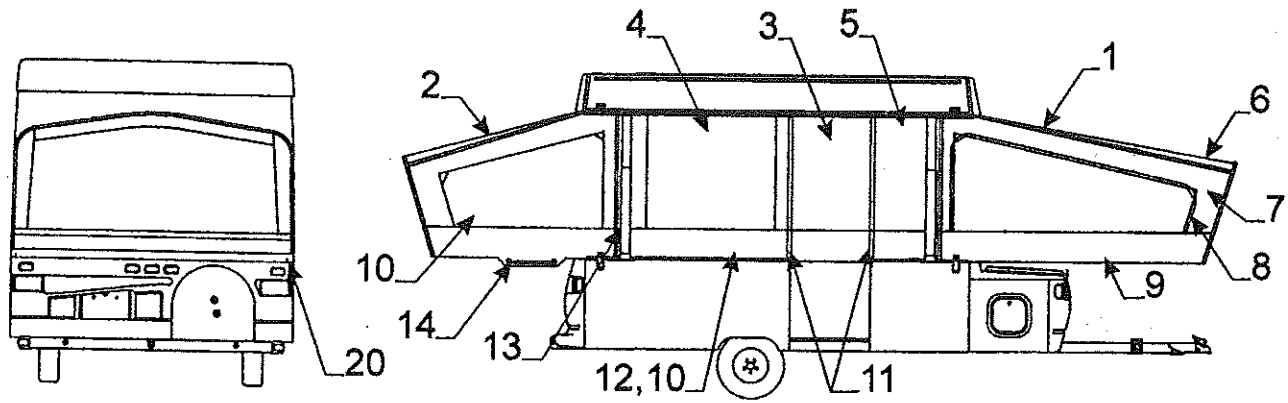
Flat Rate - .20 4748-8161 shower curtain clip m10

Shower curtain outer "drape matl." - 4767A5361 - 3794 Westlake

Flat Rate - .20 4758B6331 - 3795 Niagara

Drape panel size & locations





Flat Rate	Sunbrella Tenting & Components
Code	Part # Description
.50	1 4753F5861 front boot (all except 3757 Monterey)
.50	4767-6171 front boot 3757 Monterey
.50	2 4753F5871 rear boot 3758,89,96
.50	4753F5861 rear boot 3751,78,81,91,94,95
.50	4767-6171 rear boot 3757 Monterey
.20	3 4753D5911 large window 3758, 89, 96
.20	4755F6471 large window w/tipout 3751
.20	4755F5581 large window w/tipout 3791
.20	4753D5881 large window 3794
.40	4756F6751 large window "glide-out" 3778,81,95,57
.20	4 4753E5921 small window 3758, 3789
.20	4753E5891 small window 3791
.20	4753E5941 small window 3796
.20	4756D6761 small window 3751,81,94,95
.20	4757G5871 small window tipout "csr" 3778, 3757
.15	5 4753F5931 door seal 3758, 89
.15	4753F5901 door seal 3791
.15	4753F5951 door seal 3796
.15	4755D6491 door seal 3794
.15	4756E6771 door seal "csr" 3751,78,81,95,57
	6 8118501430P top vinyl package (85" x 3 yds)
	7 4716C0851 sunbrella patch package (12" x 14")
	8 6650500131F zipper (sold/yard) used around window
	1225A4461 zipper pull m5
	9 8118001430P bottom vinyl facing "grey" (80" x 3 yds.)
	10 4714E1611 screen package (84" x 3 yards)
	4714A0361 screen package (84" x 13 yards)
	11 4350000009P 1" velcro hook (10' pc. pkg.)
	12 4716-2401 clear window vinyl (41" x 2 yards)
	13 1225G3768 45 1/2" side zipper pin half
	1225G3758 45 1/2" side zipper slider half
.50	14 4060000045P shock cord (150' pc. pkg.)
.50	4714C6021 shock cord & hooks m2 (two 14' lengths)
.15	4724A2011 shock cord termination (plastic hook) m10
	15 4060000024F arrowhead seal (sold/foot)
.30	16 4735D6721 extension harness
.50	17 4743-1588 k-kote seam sealer
	18 4728-5641 tent retainer pkg.
.30	19 4710-1001 vinyl daubing "white" m2
.30	4710-1011 vinyl daubing "grey"
	20 4739E2908 screw cap m10
	4739-2918 screw cap washer m10

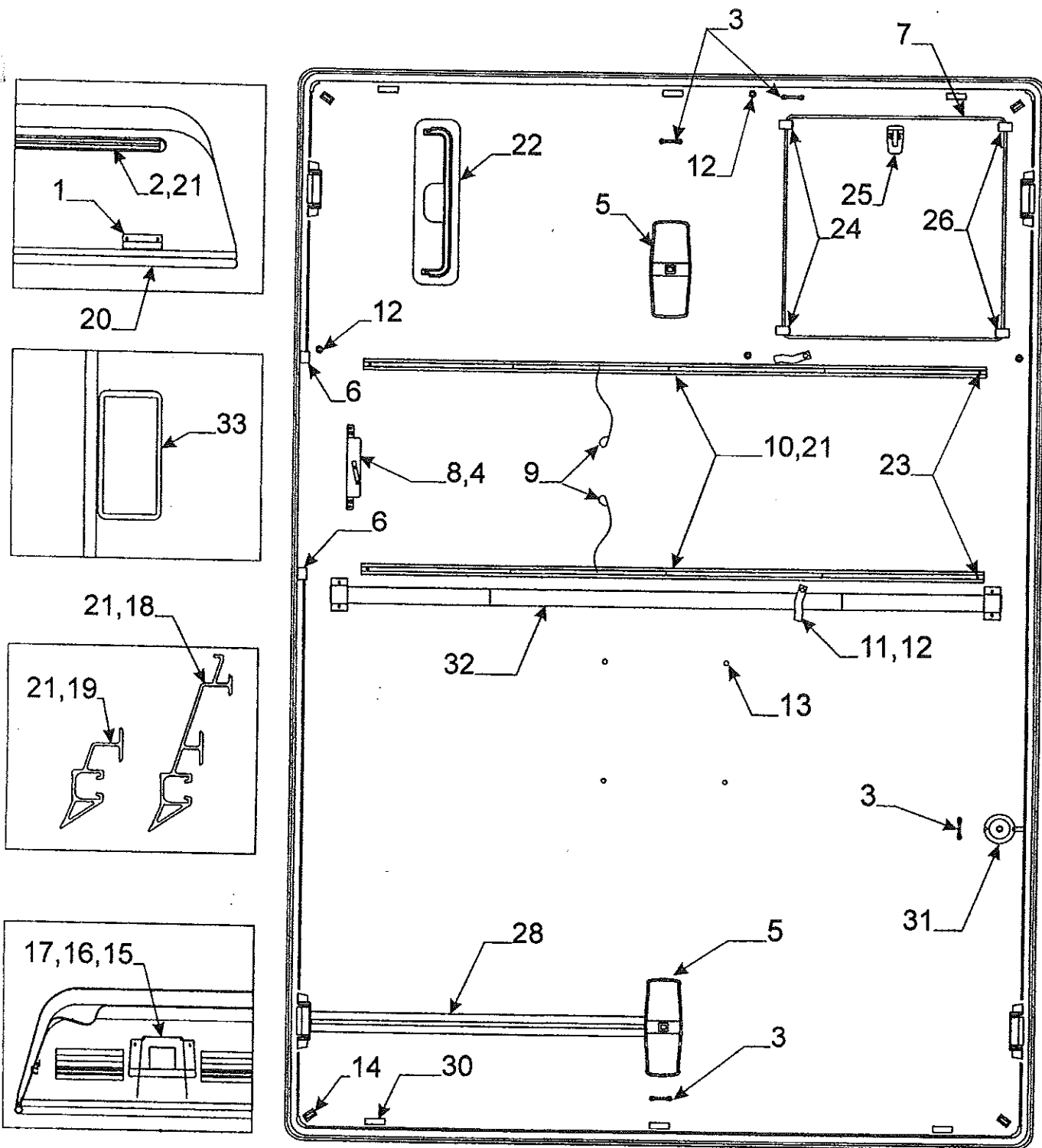
4753D59881	AUSA Top Assembly -3758 Carmel, 3789 Santa Fe	4755D5191	AUSA Top Assembly - 3794 Westlake
4753E66081	AUSA Top Assembly - 3751 Mesa	4753F6601	AUSA Top Assembly - 3795 Niagara
4758-5361	AUSA Top Assembly - 3778 Bayside	4753D59781	AUSA Top Assembly - 3796 Cheyenne
4756D6001	AUSA Top Assembly - 3781 Utah		
4753D5761	ASUA Top Assembly - 3791 Sun Valley		

ABS Tops Flat Rate 3.00

S/N of top must be on Warranty Claim Number located on screen door storage bracket

**1.50 For A/C
1.00 For Crossbars
1.00 For Disposal**

<u>Flat Rate</u>	<u>ABS Top Assembly Code</u>	<u>Part #</u>	<u>Components Description</u>
.15	1	4750A9581	top strike x4 M2
		4744C2461	torx screw M2 (x2 per strike)
		1201B6958	keps nut (x2 per strike)
		1202E0408	washer (x2 per strike)
		4739A4191	vinyl cap M6 (x2 per strike)
.50	2	4753-1211	canopy track 137 1/2" (must cut to size)
.20	3	4733B4511	steel loop M2
	4	4734C1861	rivet M25 (arctic white)
.15	5	4744D4741	double dome light w/mounting rivets
		4753-9861	dome light rivet M25
.10		4714J0891	dome light lens (x2 per light))
.15	6	4715-6981	screen door retaining brkt. pkg. (frt./rr.)
		4060075008F	3/4" x 1" foam tape (sold/foot)
.10	7	4755A5231	shower curtain rod (3794,3795)
.20	8	4749C5571	screen door storage bracket
		4734C1861	rivet m25 (hold brkt. to top)
		4749-2138	snap button M2
		1203-8631	rivet m25 (hold snap button to brkt.)
.15	9	4734E5211	screen door cable M2
.50	10	4753-1221	screen door track x2
.15	11	4723B5061	screen door strap x2
	12	1226D1381	stud w/rivet M2
	13	1203-9258	accordion rivet m25
	14	4756-8281	valance hook M4
.25	15	4753A5961	lift pocket assy. x4
.10	16	4723A8071	2" x 2" velcro hook patch M4
.10	17	4724D0991	3/4" velcro strip M4
.50	18	4753C1161	side tent track (must cut to size)
.50	19	4753B1201	tent track front & rear
2.00	20	4716-2221	top seal M41
		4756-2751	top seal glue kit M2
	21	4716-2171	ABS top glue kit
.20	22	4753-2201	wardrobe hanger 12" x 5 1/4"
.20		4758-4571	wardrode hanger 16" x 4 5/16"
	23	4753-3351	plastic spacer M12
		4741D96568	expansion rivet M25
.15	24	4755-5221	shower rod strap x2 (3794,95)
.20	25	4750-1761	shower head bkrt. (3794,95)
.15	26	4755-5211	shower rod strap x2 (3794,95)
.15	27	4720D4021	lashing hook M6
		4741D96568	expansion rivet M25
.30	28	4756-4761	wire cover w/2 sided tape
		1203-8978	rivet m25 (countersunk head)
	29	4741D96568	expansion rivet M25
		4753-3351	plastic spacer M12 (both ends of track)
	30	4724F2631	velcro hook M6
.15	31	4756A8291	aux. lamp jack w/rivets
		4060031201P	white flexible tubing pkg. (1' pc.)
1.00	32	4767-6621	roof brace kit
.25		4754-9251	hat bracket x2
		1200E2181	carriage bolt M4
.10	33	4716-1591	top cover plate pkg. (2 covers & glue)
	34	4716A1941	ABS top repair kit (repair scratches.....)



768-5331 Top Assembly - 3758 Carmel, 3789 Santa Fe
 768-5291 Top Assembly - 3751 Mesa
 768-5221 Top Assembly - 3778 Bayside, 3757 Monterey
 768-5281 Top Assembly - 3781 Utah
 768-5311 Top Assembly - 3791 Sun Valley

4768-5301 Top Assembly - 3794 Westlake
 4768-5251 Top Assembly - 3795 Niagara
 4768-5321 Top Assembly - 3796 Cheyenne

Top replacement: Flat Rate 3.00

1.50 For A/C
 1.00 For Disposal

Flat Rate	AlumiTite Code	Part #	Description1
.75	1	4758-4441	end cap front/rear "plastic"
		4753-2691	screw x4, m12 (affix end cap from the interior)
	2	4747A1058	white plastic rivet m25
1.50	3	4758A4431	top end trim front/rear
		4350000101P	1" wide tacky tape pkg. (30' pc. pkg.)
.50	4	3530900143P	canopy track 145" (must cut to size)
		4716A2171	alum. canopy track adhesive
.15	5	4750A9581	top strike x4 m2
		4744C2461	torx screw m2 (x2 per strike)
		1201B6958	keps nut (x2 per strike)
		1202E0408	washer (x2 per strike)
		4739A4191	vinyl cap m6 (x2 per strike)
2.00	6	4060000016P	top seal package (41' pc. pkg.)
.50	7	4758A4981	cargo track 147 3/8" (must cut to size)
		4350000101P	1" wide tacky tape pkg. (30' pc. pkg.)
		4733E4131	tek screw m50
	8	4758-4461	cargo track end cap (2 pcs. per pkg.)
	9	4758-8601	tent track "plastic" (must cut to size)
	10	4758-4281	inside corner bracket x4
.20	11	4758A4401	lift pocket cover x4
.10		4723A8071	2" x 2" velcro hook patch m4
.10		4724D0991	3/4" velcro strip m4
.25	12	4767A6791	lift pocket assy. x4
.05	13	4750-2891	drape tab c-shape m60
		4738-3088	screw
.15	14	4753E6991	screen dr. retaining brkt./rivet pkg. (rt./lt)
	15	4758C4241	side cove cs/rs 12' tops
		4758C4251	side cove cs/rs 10' tops
	16	4758-4381	side seal extrusion cs/rs 12' tops
		4758-4391	side seal extrusion cs/rs 10' tops
	17	4758A4351	end cove front./rear 10' & 12' tops
	18	4758A4371	end seal extrusion frt./rear 10' & 12' tops
	19	4733B4511	steel loop m2
.15	20	4744E4741	double dome light w/mounting rivets
		1103B08148	screw x4 per light
.10		4758-1361	dome light lens (x2 per light))
	21	4350400004F	seam tape (sold/foot)
.15	22	4756A8291	aux. light jack
.30	23	4758B4231	a/c brace
		4767A6801	brace mounting brkt. x2
		100-1031	rivet m25 (4 rivets per brkt.)
		4758-4551	1 1/4" hex head bolt x2
		1202E0408	washer x2
	24	1203-9258	plastic accordion rivet m25
.15	25	4723B5061	screen door strap x2
		4753A9871	rivet m25
		4730A3548	stud w/screw x2
.20	26	4749C5571	screen door storage brkt.
	27	100-1031	rivet m25
.15	28	4734F5211	screen door cable m2
.50	29	4758B4471	screen door track (plastic) x2
		4744B4611	expansion rivet "white" m25
.10	30	4755A5231	shower curtain rod (3794,95)
.20	31	4758-4571	clothes hanger w/mounting hardware
.15	32	1226D1381	stud w/rivet
.15	33	4755-5211	shower rod strap x4 (3794,95)
.20	34	4750-1761	shower head brkt. (3794,95)
	35	4356500043P	sealant tacky tape (20 ft. pc. pkg.)
	36	4350000125P	3" x 4" flextrud white

