

2015 JOURNEYER

PREMIUM TRAVEL TRAILERS



# *Journeyer*

PREMIUM TRAVEL TRAILERS

ENJOY THE JOURNEY

# INTERIOR

## KITCHEN & LIVING ROOM



*JT340FLR Kitchen*



Highland Ridge RV's Journeyer is designed as the ultimate luxury travel trailer. Unlike any other, the Journeyer interior is spacious, elegant and comfortable. A large and functional kitchen immediately impresses even the most ardent cooks. The richly appointed living room, with its large windows, is marvelous for relaxing and enjoying fantastic views of the great outdoors. The Journeyer's generous interior and exterior storage provide all that is needed for even the longest vacation. Let a Journeyer travel trailer help you create wonderful memories for years to come.



*Refrigerator*



*Island on Castors*

## ENJOY THE COMFORTS OF HOME WITH NEW WINDOW VIEWS

- » Washer/Dryer Prep
- » 6'5" Slide-Out Height
- » Accu-Slide 4 Corner Compression Slide System
- » 42" Deep Main Slide *(Select Floorplans offer Dual 42" Opposing Slides)*
- » 10 to 15% Lighter than Competitors
- » 100" Wide Exterior - Wide Stance Axles, Outstanding Towability



*Living Room*

# INTERIOR

BEDROOM & BATHROOM



JT340FLR Bedroom



Washer/Dryer Prep

PULL THE SHADES  
AND RELAX AFTER AN  
EXCITING DAY



JT340FLR Bathroom

# EXTERIOR FEATURES



BRING THE STUFF YOU'VE WANTED  
TO BRING FOR YOUR NEXT VACATION



The Journeyr boasts over 100 Cu. Ft. of exterior storage space. Bring all your vacation gear with room to spare. You can even bring the kitchen sink if you'd like.



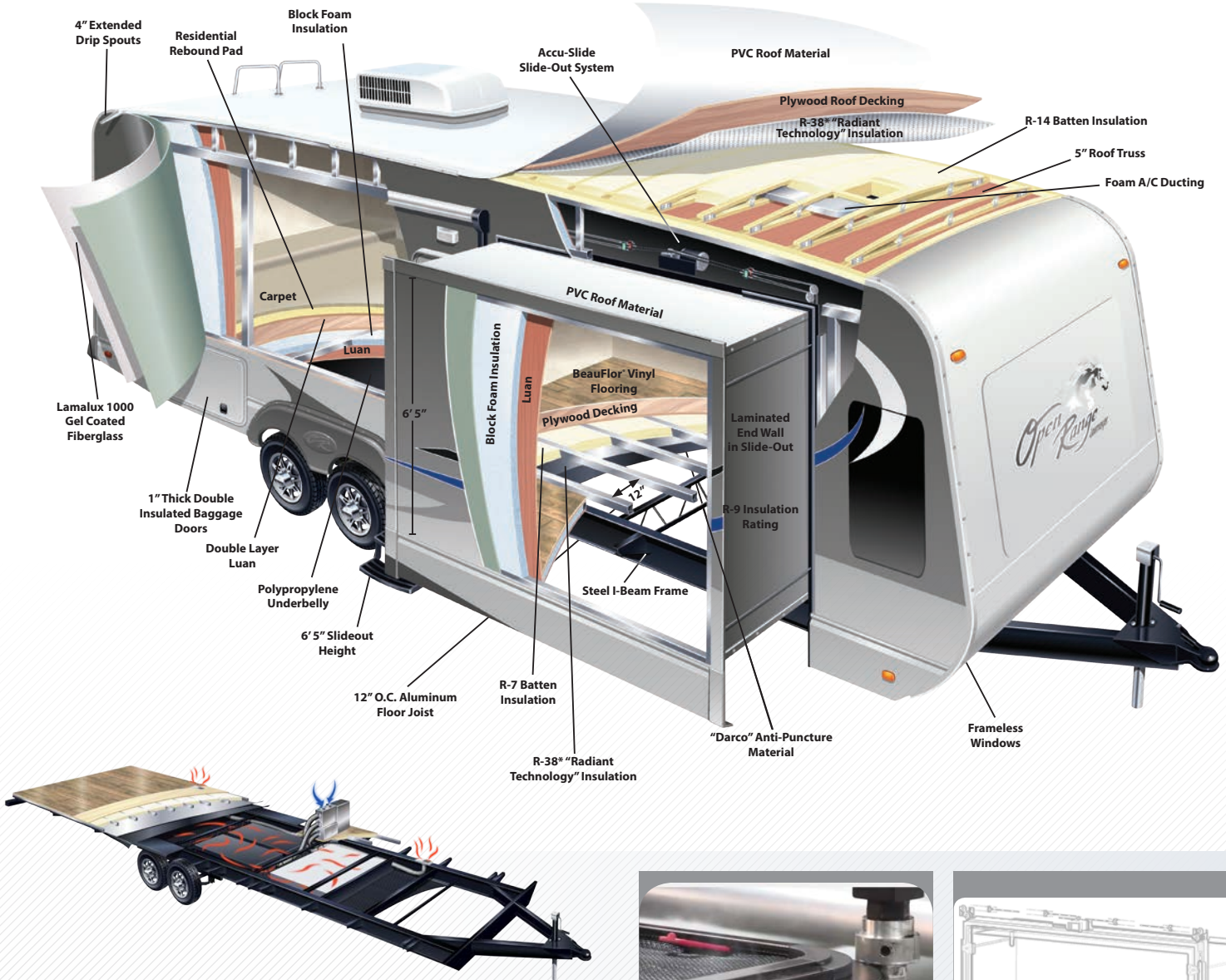
**Power Tongue Jack**

**Power Stabilizer Jacks w/Lock Arm Stabilizer Bar (Optional)**

**Exterior Convenience Center**

# CONSTRUCTION FEATURES

# BUILT FOR THE LONGHAUL



## HEATING DIAGRAM

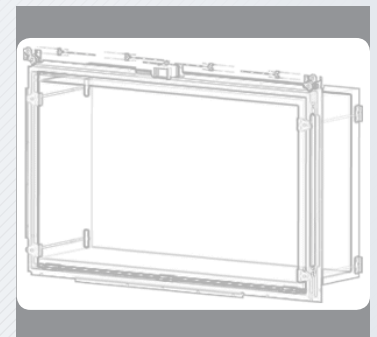
Journeyer travel trailers have a unique and incredible heating system. We start with a 4 inch heat duct from the furnace down the the underbelly in place of the 2 inch some of the competitors use. All of our tanks are suspended between the I beams in the underbelly allowing us to have forced air heat blowing from the 4 inch heat duct surrounding the tanks with warm air flow.

How do we get the air flow? Simply by having a return at the end of the tanks going back into the coach. The secret is that simple. We put a return in their underbelly to allow air flow over the tanks instead of a pressurizing system that occurs in other brands.



### Seal-Tite Water Shield

Seal-Tite – a semi-robotic system that makes the placement of window sealants more precise and error-free – thus eliminating the hand application of such sealants which can often result in inconsistency.



### Accu-Slide

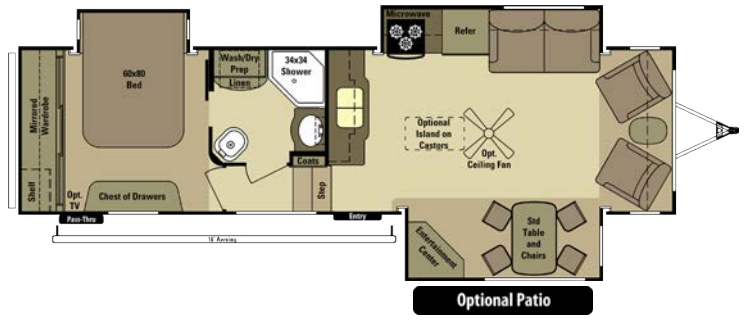
Accu-Slide is so ingeniously designed, yet so amazingly simple, you're likely to say it works like magic. A revolutionary, lightweight, heavy-duty system, Accu-Slide increases the quality and customer appeal of RV's through superior performance and increased design flexibility.

# FLOORPLANS



**JT337RLS**

Ext. Length: **36'4"** Ext. Height: **145"** UVW (lbs.): **8870** Sleeps: **4**



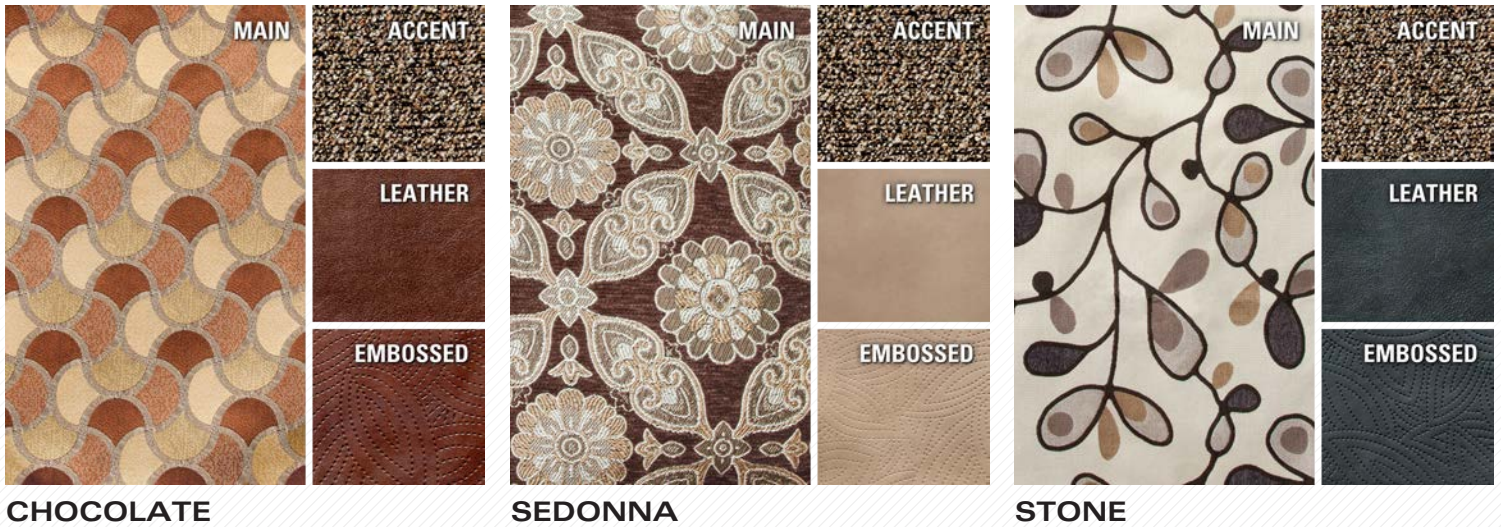
**JT340FLR**

Ext. Length: **36'** Ext. Height: **145"** UVW (lbs.): **9318** Sleeps: **4**

## SPECIFICATIONS

	Square Feet	UVW	Hitch Wt.	Length (Box)	Gross NCC	Net NCC	Fresh Water	Gray Water	Waste Water	Sleep Cap.
<b>JT337RLS</b>	350	8870	795	32'8"	3925	3159	85	57	41	4
<b>JT340FLR</b>	340	9318	1365	32'3"	2677	1891	85	57	41	4

## DÉCOR OPTIONS



**ZERO DEGREE  
TESTED  
THE RESULTS**

BEDROOM	.....	72°F
KITCHEN	.....	70°F
SLIDE-OUT	.....	66°F
BATHROOM	.....	72°F
LIVING ROOM	.....	70°F
WASTE WATER TANK	.....	62°F
STORAGE UNDER RV	.....	58°F

## STANDARD FEATURES

- » High Output Range w/ Igniter & 22" Oven
- » Lippert Wide-Stance Axles
- » 100" Wide Body Frame
- » Heavy Duty Full Extension Drawer Guides
- » Lippert Equa-Flex Suspension
- » PVC Roof Material
- » Large Lavatory Sink
- » Front & Rear Stabilizer Jacks
- » Power Tongue Jack
- » Nitrogen Filled Radial Tires
- » Porcelain Toilet w/Foot Pedal Flush
- » LP Quick Connect
- » French Door to Bedroom
- » Ext. Utility Center w/Black Tank Flush
- » 80 Lbs. of LP Capacity *(N/A JT337RLS)*
- » 50 Amp Service
- » Prepped for Back-Up Camera

## OPTIONAL FEATURES

- » 24" Bedroom TV
- » Corian® Island on Castors
- » Lock Arm Stabilizer Bars
- » Fireplace
- » Ceiling Fan *(JT340FLR)*
- » Patio Deck
- » Dyson Vacuum Cleaner
- » 2nd A/C (13.5k BTU Ducted)
- » Slide-Out Awning Covers
- » One-Piece Fiberglass Shower
- » Dual Pane Windows
- » Power Front & Rear Stabilizer Jacks
- » Recliners IPO Swivel Rockers *(Forced)*
- » 16" Aluminum Wheels *(Forced)*
- » Rear Storage Tray
- » Metal Wrapped Awning
- » Fantastic Fan in Bedroom
- » Fantastic Fan in Bathroom
- » Back-Up Camera

## MANDATORY PACKAGES

### EXECUTIVE PACKAGE

- » Flat Screen TV in Living Area
- » 10 Gal. Gas/Electric Water Heater
- » Western Aspen Cabinet Doors
- » 12V CD/DVD Player w/Bluetooth®
- » Soundbar in Living Room
- » Corian® Countertops
- » LED Lighting in Ceiling
- » USB /12V Charging Port
- » "Comfort Cloud" Pillow Top Mattress
- » Crown Molding
- » Multi-Port Satellite Hook-Up
- » Fantastic Fan in Kitchen
- » Wired and Framed for 2nd A/C
- » Digital TV Antenna w/Booster
- » Power Awning w/LED Light
- » Removable Rear Ladder
- » Large 8 Cu. Ft. Refrigerator
- » "Maxx Air" Vent Cover
- » Full View Vented Entrance Door
- » 30" OTR Microwave
- » Concealed Hinges
- » Frameless Windows
- » Bedroom Speakers

### FOUR SEASONS PACKAGE

- » R-38 Insulation in Roof & Floor
- » Heated and Enclosed Underbelly
- » Digital Thermostat
- » R-9 Insulation in Sidewall
- » Double Insulated Baggage Doors
- » Insulated Slide Floors
- » Atwood® High Performance Furnace
- » Heated Storage Area
- » Heated & Enclosed Dump Valves

## GET SOCIAL

Receive updates on the latest happenings and innovations at Highland Ridge RV.



## GO ONLINE

- » "Build Your Own"
- » Photo Galleries
- » Virtual 360° Tours
- » Detailed Floorplans & Specs
- » Frequently Asked Questions
- » Dealer Locator
- » Floorplan Galleries
- » Customer Testimonials
- » And Much More

[HighlandRidgeRV.com](http://HighlandRidgeRV.com)



## FREE ROADSIDE ASSISTANCE

Travel worry-free with the Highland Ridge RV Roadside Assistance program, yours at no cost during your first year of ownership. This program is offered through Coach-Net, the country's largest RV emergency road service, and gives you immediate access to assistance.

**Coach-Net®**  
RV Technical & Roadside Assistance



*At Highland Ridge RV, Inc., we are one of the few manufacturers that have a 2-Year Limited Transferable Warranty. Ensuring our customers that we will stand behind our product for twice the amount of time that other manufacturers offer.*

# MORE ROOM LESS WEIGHT

*This is our mission at Highland Ridge RV, Inc. It's the life blood that runs in our veins. It drives us to innovate and revolutionize the RV industry and it's why our products are 10 - 15% lighter than the competition.*

Your Journeyer Dealer:



For more information visit us at:  
[HighlandRidgeRV.com](http://HighlandRidgeRV.com)

Due to continual research and advances, manufacturer reserves the right to change specifications, design, price, and equipment without notice, and assumes no responsibility for any error in the literature. Some items shown are not included as standard or optional equipment.