





*Enjoying the Journey.....*



# *On a Mission*

At Open Range RV, we are on a mission to...

Fulfill the trailer needs of our dealer base and retail customers, and in doing so, exceed their expectations for service, quality and value.

Earn our dealers', retail customers' and employees' long-term loyalty by delivering more than we promise, in a fair and honest business manner.

Motivate our employees to provide exceptional service and quality to our retail customers and dealers.

Compensate our employees fairly and provide opportunity for personal growth within our company.

Although it is our goal to provide a product that exceeds our customer needs and level of quality, we do not strive to be the biggest or the most profitable. In the end, we believe satisfied customers, dealers and employees will bring growth and long term profitability for all.

For almost 30 years, I have had the great fortune to work in the amazing industry of RV manufacturing. This industry runs through my blood and is the passion of my life. This has been a dream come true for me and my family. I would like to thank everyone who believed in us as an RV Manufacturer. At Open Range our motto is ENJOY THE JOURNEY!

It has been an amazing JOURNEY so far! Come join us on this great JOURNEY, we don't want you to miss another moment of it.

Enjoy the Journey!

A handwritten signature in black ink that reads "Randy Graber". The signature is written in a cursive, flowing style.

Randy Graber, President  
Open Range RV Company



424RLS Entertainment Slide in Sheridan



391RLS Island and Living Room in Lifelong



Stainless Steel Sink With Extendable Faucet Handle



Full Extension  
Drawer Guides



Under Bed Storage



Wrought Iron  
Curtain Rods



Wine Rack



391RES Entertainment Center in Life Long With TV In Down Position



391RES TV in Up Position



Ample Storage  
Inside Movable  
Ottoman



Optional  
Patio with  
Awning on  
Select  
Models

424RLS Bedroom in Sedonna



Pull Out Waste  
Basket



424RLS Kitchen



# *Journeyer*



JT359FKS Kitchen in Sedonna





Deep Pots and Pans Drawer

Pull Out Pantry



JT359FKS Bedroom with King Size Bed in Sedonna

# Residential

R412RSS Kitchen Slide with OTR Convection Microwave



Residential Pantry



23 Cu. Ft.  
Refrigerator



R412RLS Bathroom with Tub



Dovetailed Drawers



Deep Dresser

One-Piece Fiberglass Radius Shower





337RLS



391RES



345RLS



393RLS



375BHS



399BHS



385RLS



413RLL





# Journeyer

- 2 Year Warranty
- 60 Lbs of LP Storage (JT337RLS)
- 80 Lbs LP Capacity (JT340FLR, JT359FKS)
- 100" Exterior Width
- 42" Deep Main Slide
- 15,000 BTU A/C With Residential Return Air And Heat Pump
- Nitrogen Filled Radial Tires
- LED Taillights
- 4 Point Compression NORCO Slide Out System
- Less Weight / More Room
- Removable Exterior Ladders
- R-38 Ceiling & R-38 Flooring Insulation\*
- Full View Vented Entrance Door
- Slam Latch Baggage Doors
- Dinette Ladder Chair
- Pull Out Waste Basket
- Pull Out Pantry
- Concealed Hinges
- Residential Size Bed
- Deeper Dresser Drawers



JT337RLS

JT340FLR



JT359FKS

	GVWR	UVW	Hitch Wt.	Axle Wt.	Gross NCC	Ext. Length	Ext. Height	Ext. Width	Water Heater (Gas/Elec)	Fresh Water (Gal)	Gray Water (Gal)	Waste (Gal)	LP Gas (Lbs)	Furnace (BTU's)	Tire Size
JT337RLS	10400	7840	780	7060	2560	36'	143"	100"	10 Gal	85	57	41	60	35,000	15"/16" Opt
JT340FLR	11670	8860	1270	7590	2810	36'	143'	100"	10 Gal	85	57	41	80	35,000	15"/16" Opt
JT359FKS	11890	9410	1490	7920	2480	38'	143"	100"	10 Gal	85	82	41	80	35,000	15"/16" Opt



\* = Calculated



# Residential

2 Year Warranty

Auto Leveling & Stabilizing System

Telescopic Sewer Hose Support and Storage

Dual Slide Out Trays With Up To 80Lbs of LP

100" Exterior Width

42" Deep Main Slide

15,000 BTU A/C With Residential Return Air

And Heat Pump

Nitrogen Filled Radial Tires

SymaLite Exterior Wall Substrate In Place of Luan

LED Taillights

4 Point Compression NORCO Slide Out System

Less Weight / More Room

Removable Exterior Ladder

R-38 Ceiling & R-38 Flooring Insulation\*

Full View Vented Entrance Door

Slam Latch Baggage Doors

Corian® Brand Counter Tops

Dinette Ladder Chair

6 Person Extendable Table

23 Cubic Foot Refrigerator

Dove Tailed Drawers

Pull Out Waste Basket

Pull Out Pantry

Concealed Hinges

Residential Size Bed

Deeper Dresser Drawers



R398RLS



R412RSS



R416RLS

	GVWR	UVW	Hitch Wt.	Axle Wt.	Gross NCC	Ext. Length	Ext. Height	Ext. Width	Water Heater (Gas/Elec)	Fresh Water (Gal)	Gray Water (Gal)	Waste (Gal)	LP Gas (Lbs)	Furnace (BTU's)	Tire Size
R398RLS	13960	10995	1960	9035	2965	39'	153"	100"	10 Gal	85	82	41	80	40,000	16"
R412RSS	14185	11165	2185	8980	3020	38'9"	153"	100"	10 Gal	85	82	41	80	40,000	16"
R416RLS	18000	11805	2555	9250	6195	40'	153"	100"	10 Gal	85	82	41	80	40,000	16"



\*=Calculated

# Features On your Open Range RV

## Travel Trailers



Convenience Center



Bright LED Tail Light

## Fifth Wheels



Telescopic Sewer Hose Container and Support



Convenience Center



Auto Leveling and Stabilizing System



Slide-out LP Bottles  
80Lbs Capacity

## Fifth Wheels & Travel Trailers

**DEXTER AXLE**

E-Z Lube™ Axles  
Repack Your Bearings  
Without Disassembly

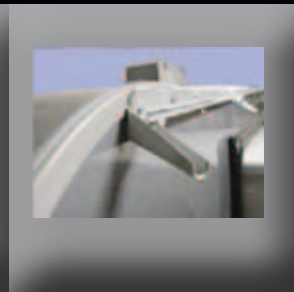
Trailer  
E-Z Flex  
Suspension

**Nitro-Fill**  
Nitrogen

**Carefree**  
Power Awnings



Slam Latches



Extended Water Spout



Large Stainless Steel Entry Door Grab Handle



"Smart Cord" With LED Power Confirmation



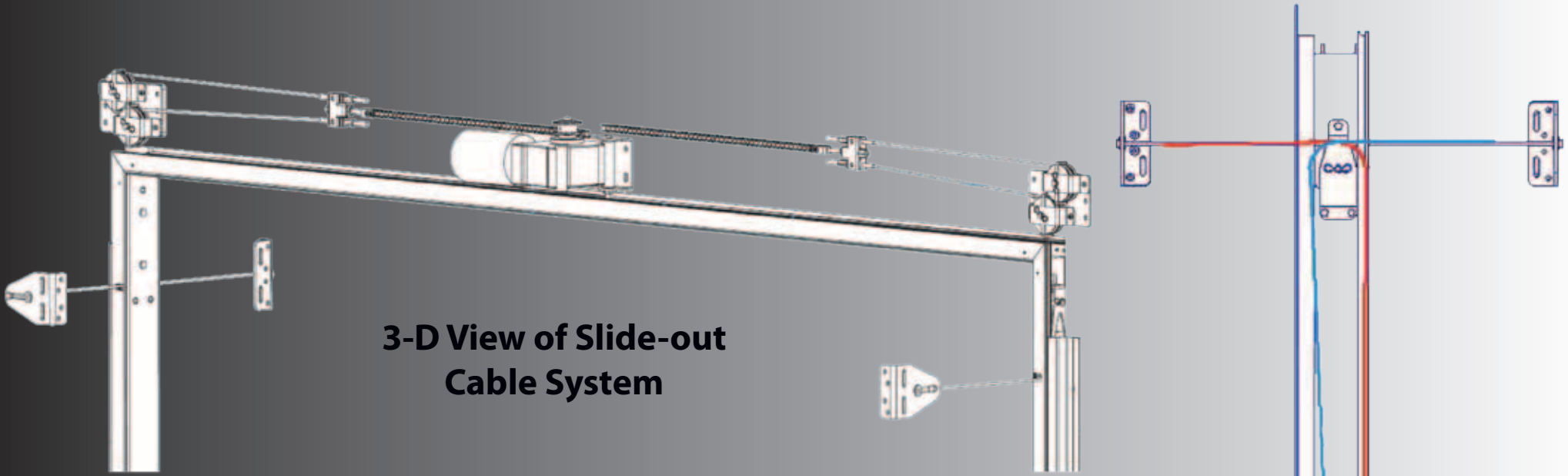
Full View Vented Entrance Door



Interior Features	Open Range	Journeyer	Residential
Interior Width (Without Slide Outs)	96"	96"	96"
Slide Out Height	6'5"	6'	6'5"
Deep Main Slide	42"	42"	42"
Residential Carpeting and Rebound Padding	Std	Std	Std
Beauflor Resilient Flooring	Std	Std	Std
High Output Range with Large 22' Oven	Std	Std	Std
Knotty Alderwood Cabinet Doors	Std	Std	Std
Full Extension Drawer Guides with Steel Ball Bearing Rollers	Std	Std	Std
Fluorescent Light over Gallery Sink	Std	Std	Std
Pull Out Waste Basket	Std	Std	Std
High Pressure Laminate Counter Tops	N/A	Std	N/A
Poly Sink Covers	N/A	Std	N/A
Residential Size Sink Strainers 3"	Std	Std	Std
Extra Large Pots and Pans Drawer in Galley	Std	Std	Std
Washer/Dryer Prep	Std	Std	Std
1 Piece Fiber Glass Radius Shower	N/A	N/A	Std
Glass Shower Door with One Piece Surround	Std	Std	Std
Sky Light over Shower or Tub	Std	Std	Std
Swivel Rocking Chairs	N/A	Std	N/A
Wall Hugger Recliners	Std	Opt	Std
Pressed and Pleated Night Shades	Std	Std	Std
Large Glass Vessel Lavatory Bowl with High Rise Single Lever	Std	N/A	Std
Porcelain Toilets with Floor Flush and "Water Save"	Std	Std	Std
Dove Tail Drawers	Std	N/A	Std
Pillow Top Residential Sized Inner Spring Mattress	Std	Opt	Std
Residential Sized Innerspring Mattress	N/A	Std	N/A
6 Person Extendable Table	Std	N/A	Std
Deluxe Bedspread and Pillow Shams	Std	Std	Std
Wrought Iron Headboard Padded	Std	N/A	Std
30" OTR Convection Microwave	N/A	N/A	Std
30" OTR Microwave	Std	N/A	N/A
Full System Electronic Monitor Panel	N/A	Std	N/A

Interior Features	Open Range	Journeyer	Residential
Full System Control Center with Remote (Remote Controls Slide-Outs, Awning, & Porch Light)	Std	N/A	Std
Cable Hook Up	Pkg	Pkg	Pkg
Direct Satellite Connection to Each Jack	Pkg	Pkg	Pkg
Corian™ Counter Tops and Sink Covers	Pkg	N/A	Pkg
Dinette Step Chair	Pkg	Opt	Pkg
Residential Hide-a-bed	Pkg	Pkg	Pkg
Galley Sink Front Tip Out Trays	Pkg	Pkg	Pkg
Entertainment Center DVD/CD /AM/FM/ Stereo	Pkg	Pkg	Pkg
Pull Out Pantry	Pkg	Pkg	Pkg
Fantastic Fan with Wall Switch	Pkg	Opt	Pkg
8 Cubic Ft. Refrigerator with "Custom Temperature Control"	Pkg	Pkg	23 Cu. Ft.
Side By Side Refrigerator (391RES, 393RLS, 424RLS, 413RLL)	Opt	N/A	N/A
Fireplace	Opt	Opt	Opt
35,000 BTU Auto Ignition Furnace (under 37')	Pkg	Pkg	Pkg
40,000 BTU Auto Ignition Furnace (over 37')	Pkg	Pkg	Pkg
19" LCD TV in Bedroom	Pkg	Opt	Pkg
Outside Dual Speakers by Door Side Pass through Storage	Pkg	N/A	Pkg
Vacuum Cleaner	Opt	Opt	Opt
Exterior Features			
Contoured Front Cap for Tighter Turning Radius	Std	N/A	Std
Utility Center (Tank Flush, Dump Valve, Spray Hose, TV, Water, and Electrical)	Std	Std	Std
Auto Leveling and Stabilizing System	Std	N/A	Std
Dexter "EZ LUBE" Axles	Std	Std	Std
Dexter "EZ Flex" Rocker Arm Suspension	Std	Std	Std
Nitrogen Filled Radial Tires	Std	Std	Std
LED Taillights	Std	Std	Std
Full View Vented Entrance Door	Std	Std	Std
Power Tongue Jack	N/A	Opt	N/A
"Heavy Duty" Scissor Stabilizer Jacks	N/A	Std	N/A

Exterior Features	Open Range	Journeyer	Residential
Exterior Security Lights	Std	Std	Std
"Double" Extension Gutter Rails	Std	Std	Std
Battery Disconnect	Std	N/A	Std
Stainless Steel Assist Grab Handle	Std	Std	Std
50 Amp Service/Wired for 2nd A/C	Std	Std	Std
16" Aluminum Wheels	Std	Opt	Std
Removable Exterior Ladder	Std	Std	Std
Dual Slide Trays with Up To 80Lbs of LP	Std	JT340/ JT359	Std
Rear Fiberglass Cap	Std	N/A	Std
Water Heater Bypass Kit	Std	Std	Std
Winterizing Valve Control System	Std	Std	Std
Heavy Tint Safety Glass Windows	Std	Std	Std
Gel Coated Fiberglass Walls	N/A	Std	N/A
High Gloss Metallic Gel Coated Walls	Std	N/A	Std
Slam Latch Baggage Doors	Std	Std	Std
Mounted Spare Tire	Std	Std	Std
10 gal Gas/Electric Quick Recovery Water Heater	Std	Std	Std
Winegard™ Digital TV Antenna with Power Booster	Pkg	Pkg	Pkg
Carefree Power Awning	Pkg	Pkg	Pkg
Telescopic Sewer Hose & Container Support	Std	N/A	Std
MaxxAir Vent Cover	Pkg	Pkg	Pkg
R9 Walls, R38 Roof, and R38 Floor *	Pkg	Pkg	Pkg
Heated and Enclosed Underbelly Holding Tanks and Dump Valve	Pkg	Pkg	Pkg
Heated Pass through Storage Compartment	Pkg	N/A	Pkg
Double Insulated baggage Doors	Pkg	Pkg	Pkg
15,000 BTU A/C With Residential Return Air and Heat Pump	Pkg	Pkg	Pkg
2nd Air Conditioner in Bedroom	Opt	Opt	Opt
Dual Pane Windows	Opt	Opt	Opt
Power Stabilizer Jacks	N/A	Opt	N/A
Slide Out awning Covers	Opt	Opt	Opt
Generator Prep	Opt	N/A	Opt
Deck Patio with Railing and Awning	Opt	Opt	Opt
Assisted Entry Lift	Opt	Opt	Opt

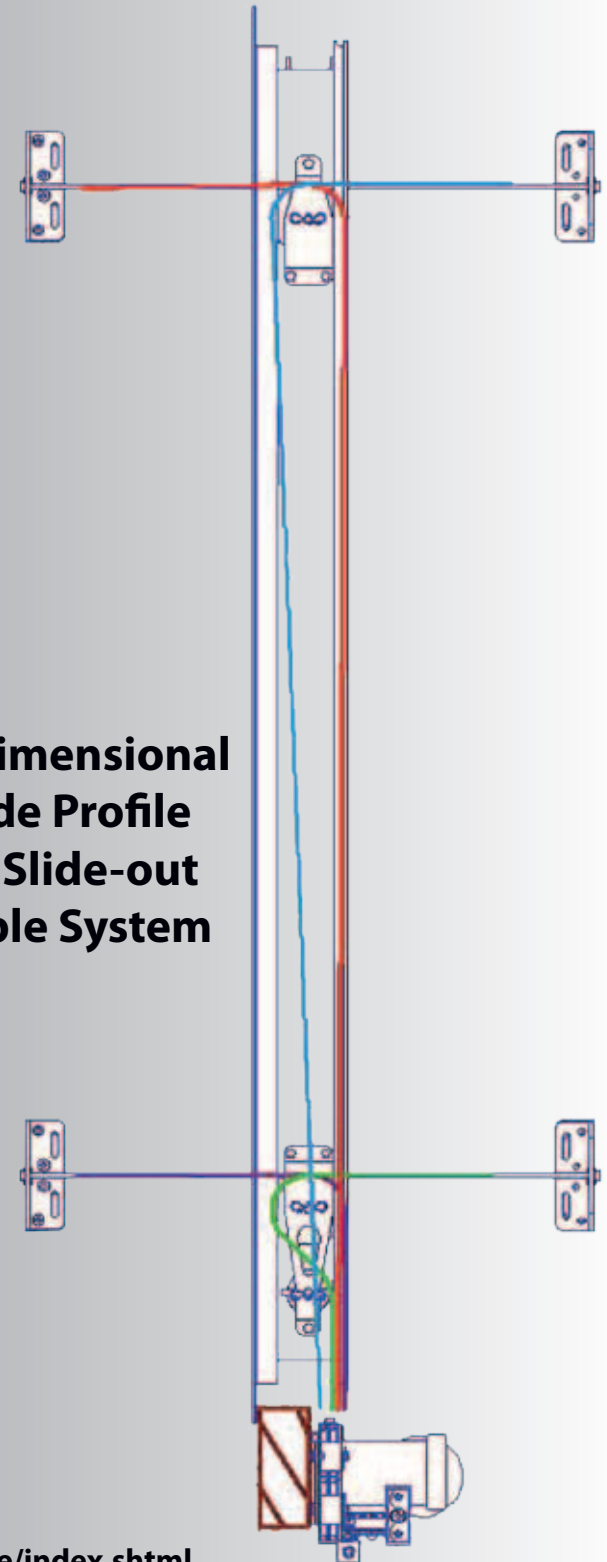


**3-D View of Slide-out Cable System**

**1- Dimensional Side Profile Of Slide-out Cable System**

### 10 Reasons Why... Accu-Slide

1. Above floor design means more storage area for your RV
2. Lightweight design promotes fuel savings
3. High strength stainless steel aircraft cable is used for control
4. Cable control at all 4 room corners helps stop leaks
5. Working components are in your RV, safe from the elements
6. Locking motor secures room in or out to help stop leaks
7. Above floor design minimizes maintenance requirements
8. A clean system - no leaky hydraulic lines or greasy drives
9. Smooth, quiet room movement - no jumping or jerking
10. It's built in the U.S.A. and backed by BAL since 1972



**Sheridan**



**Lifelong**



**Sedonna**





# DSI

***RVDA DEALER  
SATISFACTION INDEX***

**Open Range RV Company is extremely proud and honored to have received the "Quality Circle Award" two years running now from the RVDA. It gives us great satisfaction that our dealers have distinguished our company and product from the competition. Open Range RV vows to continue the commitment to a quality product, company, and employee base.**

**We at Open Range RV hope you choose to join our ever growing RV family and that you remember to...**

**Enjoy The Journey!**



Open Range RV Company 3195 N. St. Rd. 5 Shipshewana, IN 46565

Phone: (260) 768-7771 - [www.OpenRangeRV.com](http://www.OpenRangeRV.com)

Due to Continual research and advances , manufacturer reserves the right to change specifications, design, price, and equipment without notice, and assumes no responsibility for any error in the literature. Some items shown are not included as standard or optional equipment

©2010 Open Range RV Company, Shipshewana, Indiana

**Your Open Range Dealer:**