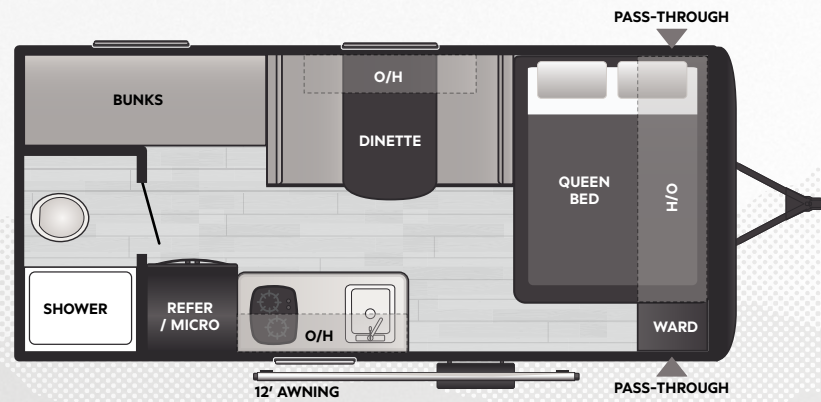




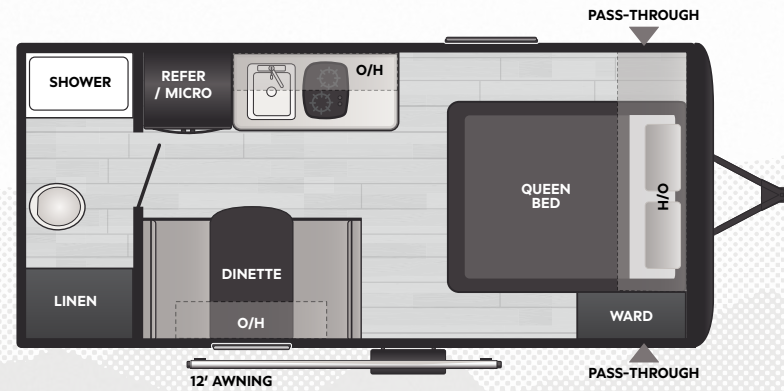
KEYSTONE
RV COMPANY

COLEMAN

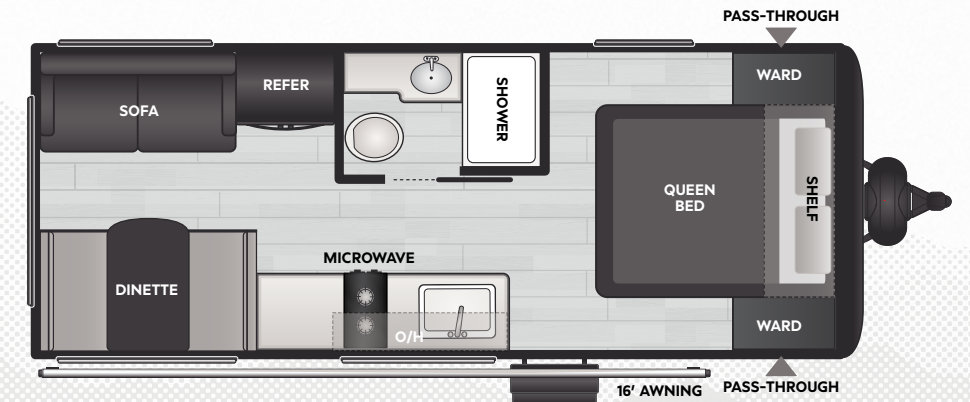
2025 | TRAVEL TRAILERS



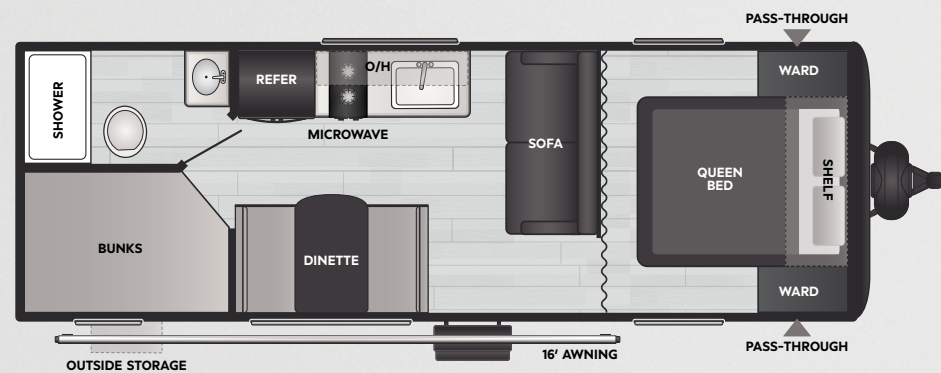
17B | WEIGHT 3088 | LENGTH 20' 5"



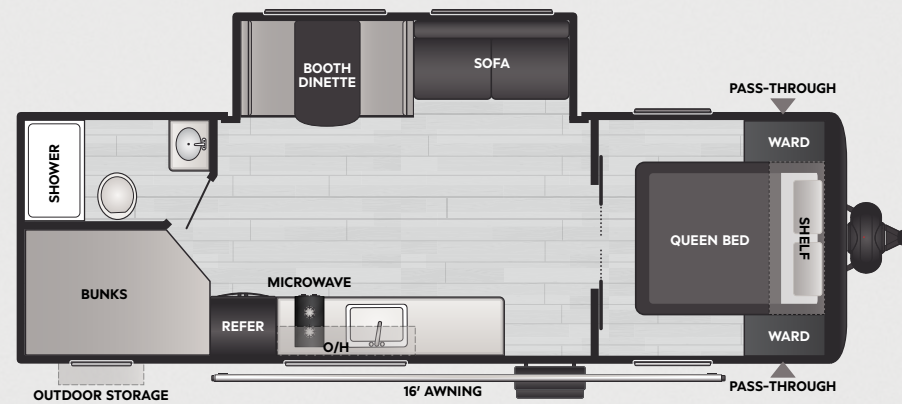
17R | WEIGHT 3094 | LENGTH 20' 8"



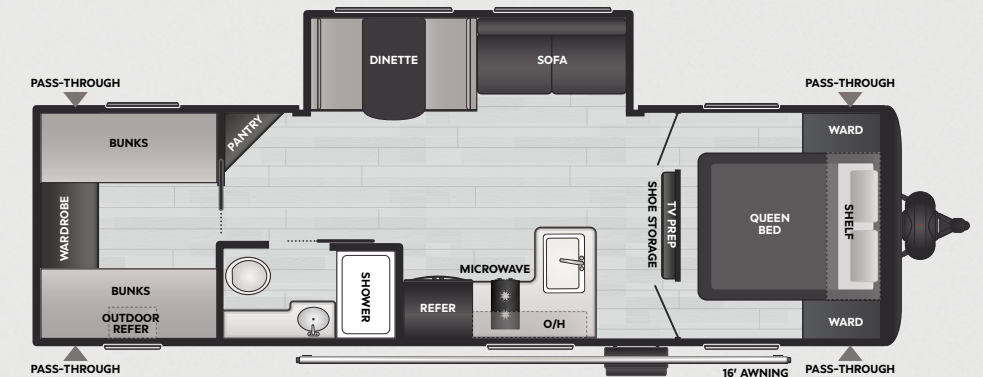
19R | WEIGHT 4085 | LENGTH 23' 11"



23B | WEIGHT 4426 | LENGTH 27' 6"



25B | WEIGHT TBD | LENGTH 29' 5"



27B | WEIGHT 6064 | LENGTH 31' 11"

DISCLAIMER: Product information is as accurate as possible as of the date of this publication. All features, floor plans, and specifications are subject to change without notice. Pre-production estimated weights & lengths may be listed; visit Keystonerv.com for the most current product information and specifications.

CAMP BETTER
KINDNESS · COMMUNITY · PLANET





KEYSTONE
RV COMPANY

COLEMAN

2025 | TRAVEL TRAILERS

EQUIPMENT

- » 20K BTU Furnace (35K BTU on 25B & 27B)
- » 42K BTU Suburban Tankless Water Heater
- » USB A + C Plugs
- » 3.3 Cu. Ft. or 8 Cu. Ft. 12V Refrigerator
- » Microwave
- » 2-Burner Gas Range
- » Interior and Exterior LED Lighting

MISCELLANEOUS

- » 3-Year Limited Structural Warranty
- » 1-Year Limited Base Warranty
- » Keystone Digital Owner's Manual
- » First Time Camper's Video Series
- » DIY Repair Program

OPTIONS

- » Spare Tire Kit

CONSTRUCTION

- » 12V Color-Coded Wiring
- » I-Beam Frame With Stamped Steel Cross-Members & Outriggers

SAFETY

- » Breakway Switch
- » Tow Plug & Chain Holder
- » GFI Receptacles
- » Carbon Monoxide Detector
- » Smoke Detector
- » Propane Gas Leak Detector
- » Fire Extinguisher

INTERIOR

- » 78" Interior Height
- » Blackout Night Shades
- » Dedicated Trash Can Storage
- » 60" x 74" Queen Bed with Underbed Storage
- » Bedside Outlets
- » Wardrobe for Hanging Storage

EXTERIOR

- » Tinted Safety Glass Windows
- » Walkable Roof
- » Friction Hinge Entry Door
- » Furrion Backup Camera Prep
- » Full Passthrough Storage
- » Power Awning
- » SolarFlex™ Ready

STANDARD FEATURES & OPTIONS



DISCLAIMER: Product information is as accurate as possible as of the date of this publication. All features, floor plans, and specifications are subject to change without notice. Pre-production estimated weights & lengths may be listed; visit Keystonerv.com for the most current product information and specifications.

CAMP BETTER
KINDNESS · COMMUNITY · PLANET

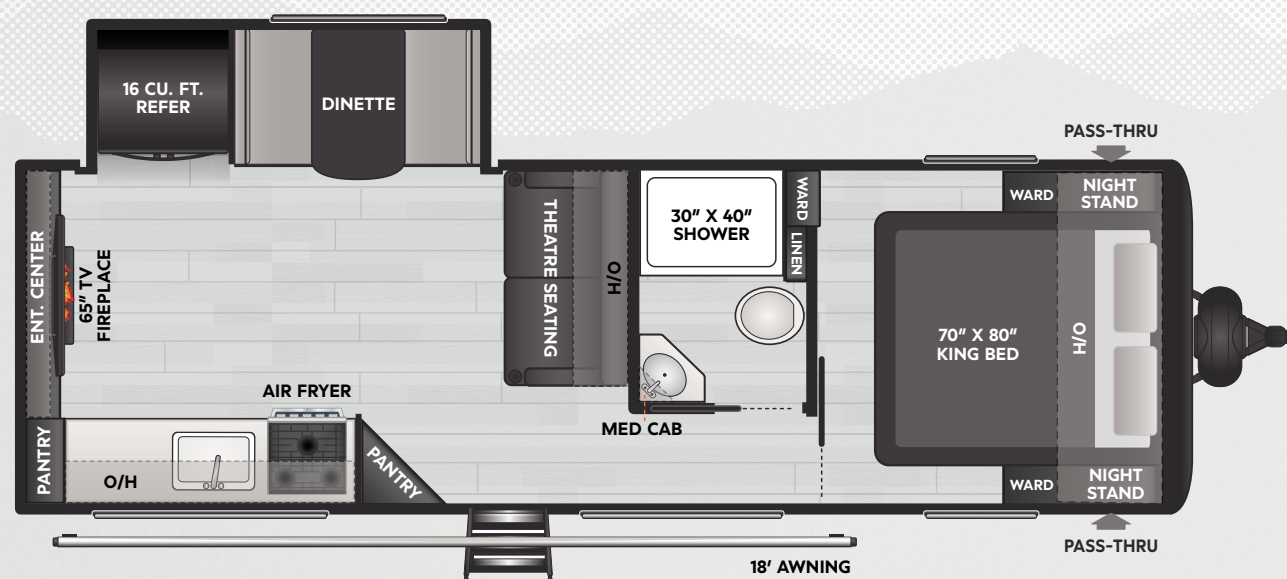




KEYSTONE
RV COMPANY

COLEMAN

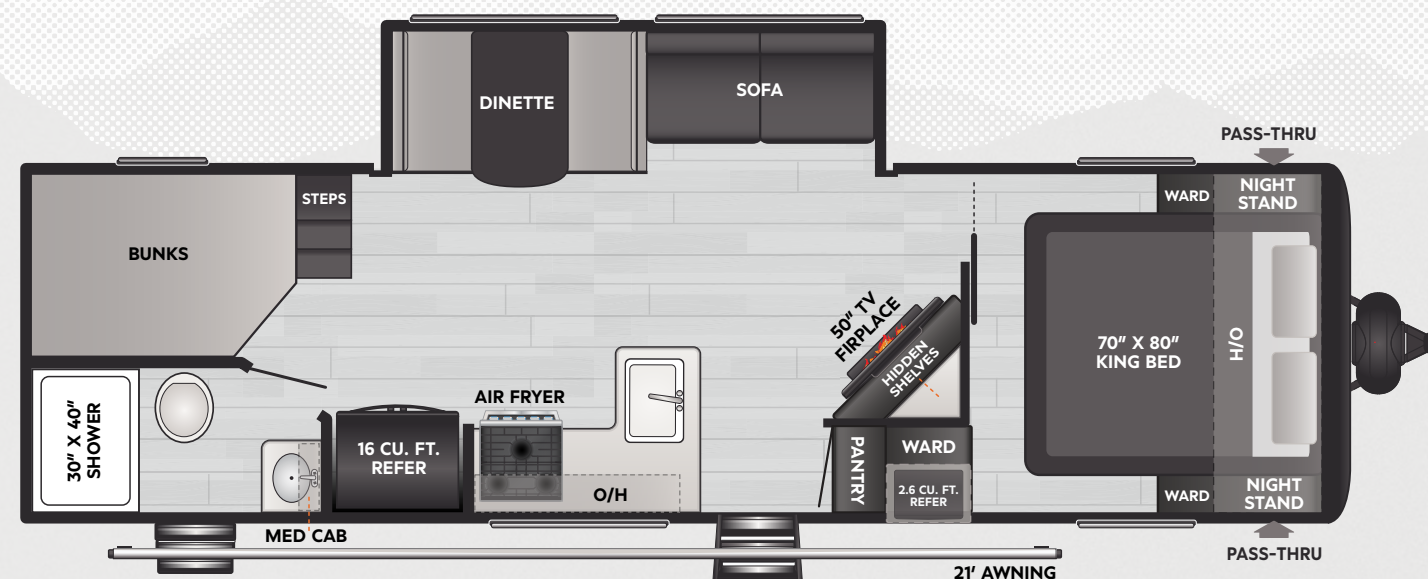
2025 | LANTERN TRAVEL TRAILERS



25REX

WEIGHT **6250**

LENGTH **29' 11"**



28BHS

WEIGHT **6696**

LENGTH **32' 11"**

DISCLAIMER: Product information is as accurate as possible as of the date of this publication. All features, floor plans, and specifications are subject to change without notice. Pre-production estimated weights & lengths may be listed; visit Keystonerv.com for the most current product information and specifications.

CAMP BETTER
KINDNESS · COMMUNITY · PLANET





KEYSTONE
RV COMPANY

COLEMAN

2025 | LANTERN TRAVEL TRAILERS

INTERIOR

- » 82" Interior Height / 72" Slide Height
- » Full Depth Drawers Under Dinette
- » Blackout Night Shades
- » Carpetless and Flush Floor Slideout
- » Solid Surface Countertops
- » Stainless Steel Sink
- » Extra Large Window Looking at Campsite
- » Dedicated Trash Can Storage
- » Upgraded Drawer Sides and Bottom
- » Knife Block Behind Range
- » Split Sink Covers with Cutting Board and Drying Rack
- » Ultra Bright LED Light Strip in Kitchen
- » High Rise Kitchen Faucet with Pullout Sprayer
- » Elongated Porcelain Foot Flush Toilet
- » Towel Bar in Kitchen
- » Maximum Privacy with Taller Door and Header
- » Extra Large 30" x 40" Shower W/ Retractable Shower Door
- » Extra Tall Medicine Cabinet
- » 70" x 80" King Bed

EXTERIOR

- » Tinted Safety Glass Windows
- » Walkable Roof
- » One Piece Heated and Enclosed Underbelly
- » Black Tank Flush
- » Power Tongue Jack
- » Quick Drop Stabilizer Jacks
- » Friction Hinge Entry Door
- » LP Quick Connect
- » XL Entry Assist Handle & Lippert Solid Step®
- » Full Passthrough Storage with Extra Tall Doors
- » Exterior Shower W/Hot & Cold
- » Power Awning
- » SolarFlex™ Ready

CONSTRUCTION

- » 12V Color-Coded Wiring
- » Tuf-Lok™ Thermoplastic A/C Duct Joiners
- » I-Beam Frame With Stamped Steel Cross-Members & Outriggers
- » In-Floor Heating Ducts
- » Tru-Fit™ Slide Construction
- » 54 Gallon Fresh Water Tank

EQUIPMENT

- » 14" Four Speed Furrion Fan in Kitchen
- » 5K BTU Electric Fireplace
- » Furrion Backup Camera Prep
- » 15K BTU Ducted A/C
- » 30K BTU Furnace
- » 42K BTU Suburban Tankless Water Heater
- » USB A + C Plugs
- » 16 Cu. Ft. 12V Refrigerator
- » Convection Microwave W/ Air Fryer
- » 3-Burner Flush Mount Gas Range with Glass Cover
- » Oxygenics® Showerhead

MISCELLANEOUS

- » 3-Year Limited Structural Warranty
- » 1-Year Limited Base Warranty
- » Keystone Digital Owner's Manual
- » First Time Camper's Video Series
- » DIY Repair Program

SAFETY

- » Breakaway Switch
- » Tow Plug & Chain Holder
- » GFI Receptacles
- » Carbon Monoxide Detector
- » Smoke Detector
- » Propane Gas Leak Detector
- » Fire Extinguisher

OPTIONS

- » Spare Tire Kit
- » SolarFlex™ Protect

STANDARD FEATURES & OPTIONS



DISCLAIMER: Product information is as accurate as possible as of the date of this publication. All features, floor plans, and specifications are subject to change without notice. Pre-production estimated weights & lengths may be listed; visit Keystonerv.com for the most current product information and specifications.

CAMP BETTER
KINDNESS · COMMUNITY · PLANET

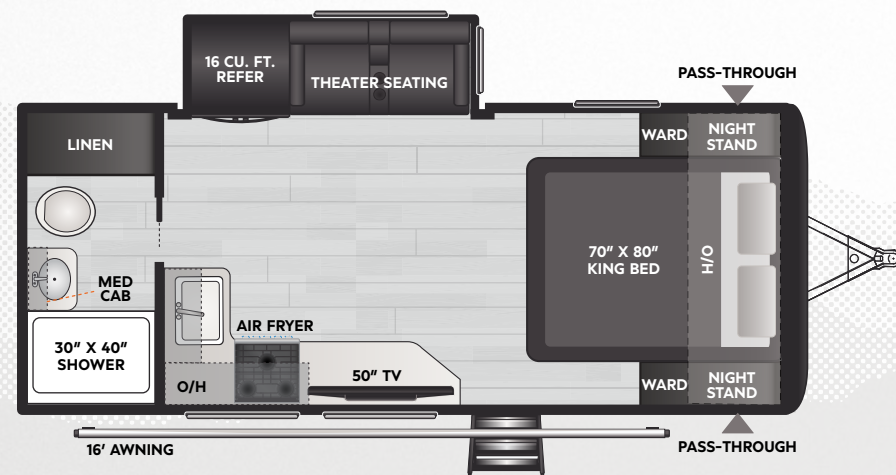




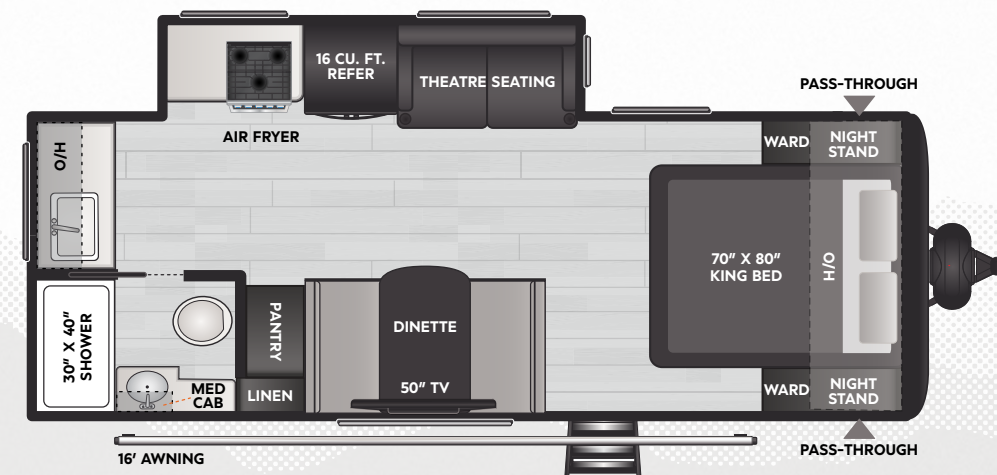
KEYSTONE
RV COMPANY

COLEMAN

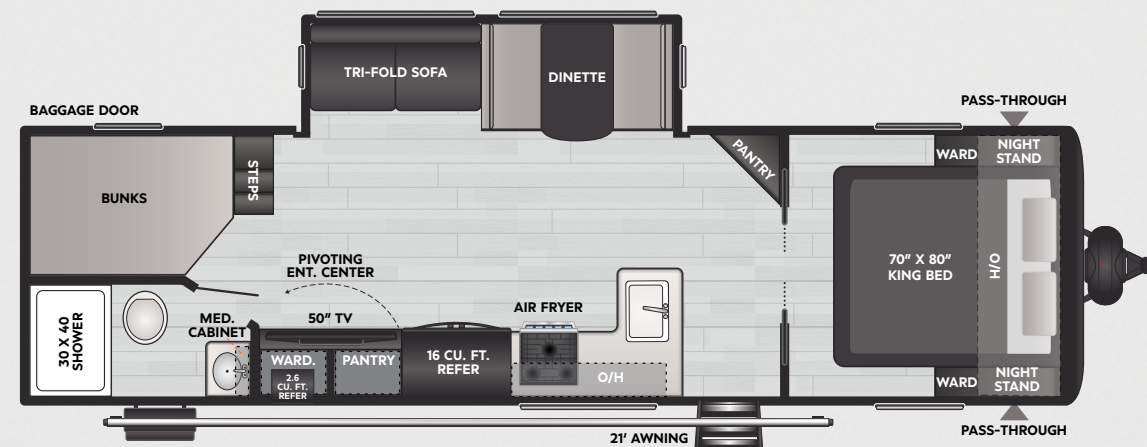
2025 | LEGACY TRAVEL TRAILERS



1905RB | WEIGHT **4944** | LENGTH **23' 11"**



2115RK | WEIGHT **5842** | LENGTH **25' 11"**



2900BH | WEIGHT **TBD** | LENGTH **TBD**

DISCLAIMER: Product information is as accurate as possible as of the date of this publication. All features, floor plans, and specifications are subject to change without notice. Pre-production estimated weights & lengths may be listed; visit Keystonerv.com for the most current product information and specifications.

CAMP BETTER
KINDNESS · COMMUNITY · PLANET





KEYSTONE
RV COMPANY

COLEMAN

2025 | LEGACY TRAVEL TRAILERS

INTERIOR

- » 82" Interior Height / 72" Slide Height
- » Full Depth Drawers Under Dinette
- » Blackout Roller Shades
- » Carpetless and Flush Floor Slideout
- » Solid Surface Countertops
- » Stainless Steel Sink
- » Dedicated Trash Can Storage
- » Upgraded Drawer Sides and Bottom
- » Knife Block Behind Range
- » Split Sink Covers with Cutting Board and Drying Rack
- » Towel Bar in Kitchen and Bathroom
- » Ultra Bright LED Light Strip in Kitchen
- » High Rise Kitchen Faucet with Pullout Sprayer
- » Elongated Porcelain Foot Flush Toilet
- » Maximum Privacy with Taller Door and Header
- » Extra Large 30" x 40" Shower W/ Retractable Shower Door
- » Extra Tall Medicine Cabinet
- » 70" x 80" King Bed W/ Pillows and Sheet
- » Extra Large Skylight Over Shower

EXTERIOR

- » Aluminum Rims
- » Tinted Safety Glass Windows
- » Walkable Roof
- » One Piece Heated and Enclosed Underbelly
- » Black Tank Flush
- » Spare Tire Kit
- » Friction Hinge Entry Door
- » LP Quick Connect
- » XL Entry Assist Handle
- » Lippert Solid Step®
- » Full Passthrough Storage with Extra Tall Doors
- » Exterior Shower W/Hot & Cold
- » Power Awning

MISCELLANEOUS

- » 3-Year Limited Structural Warranty
- » 1-Year Limited Base Warranty
- » Keystone Digital Owner's Manual
- » First Time Camper's Video Series
- » DIY Repair Program

EQUIPMENT

- » Power Tongue Jack
- » Electric Stabilizer Jacks
- » Furrion Backup Camera Prep
- » 14" Four Speed Furrion Fan in Kitchen and Bathroom
- » 15K BTU Ducted A/C
- » 42K BTU Suburban Tankless Water Heater
- » Exterior Speakers
- » 50" LED TV
- » USB A + C Plugs
- » 16 Cu. Ft. 12V Refrigerator
- » Convection Microwave W/ Air Fryer
- » 3-Burner Flush Mount Gas Range with Glass Cover
- » Interior and Exterior LED Lighting
- » Oxygenics® Showerhead
- » Painted Front Cap W/ Diffused LED Light Strips
- » Upgraded Lavatory Sink and Faucet
- » SolarFlex™ Protect

CONSTRUCTION

- » 12V Color Coded Wiring
- » Tuf-Lok™ Thermoplastic A/C Duct Joiners
- » I-Beam Frame With Stamped Steel Cross-Members & Outriggers
- » Tru-Fit™ Slide Construction
- » 54 Gallon Fresh Water Tank
- » Vacuum Bonded Fiberglass Sidewall

SAFETY

- » Breakway Switch
- » Tow Plug & Chain Holder
- » GFI Receptacles
- » Carbon Monoxide Detector
- » Smoke Detector
- » Propane Gas Leak Detector
- » Fire Extinguisher

STANDARD FEATURES & OPTIONS



DISCLAIMER: Product information is as accurate as possible as of the date of this publication. All features, floor plans, and specifications are subject to change without notice. Pre-production estimated weights & lengths may be listed; visit Keystonerv.com for the most current product information and specifications.

CAMP BETTER
KINDNESS · COMMUNITY · PLANET

