

GODFREY PONTON BOATS | MODEL YEAR 2022



Make it last.



©2021-2022 Godfrey Marine. Printed in the U.S.A.
www.godfreypontoonboats.com



EST.  1958

*Our pontoons, like the memories you'll make on them,
will always stand the test of time.*

SANPAN | XP | AQUAPATIO | MONACO | SWEETWATER | SWEETWATER XPERIENCE

CONTENTS

- 06 SANPAN
- 20 XP
- 28 AQUAPATIO
- 44 LIFESTYLE
- 46 MONACO
- 64 SWEETWATER
- 78 SWEETWATER XPERIENCE
- 88 PERFORMANCE
- 90 GAUGES & DISPLAYS
- 92 ARCHES & AUDIO
- 94 RGB & FLOORPLANS
- 96 SPECIFICATIONS
- 102 WARRANTY



We live for our family time on the water.



WE LIVE FOR OUR FAMILY
TIME ON THE WATER

As a pontoon manufacturer three generations deep, we know this to be true: Whether you're talking pontoons or people, it's all connected. Hundreds of details firing, spinning, cresting and planing as designed. Everyone and their uncle splashing, cheering, casting, toasting, and just being themselves more times than you can count. Seeing the bigger picture in the smallest of moments, then seeing to it that the moment carries on for generations to come—this is the secret to a pontoon well-built and a life well-lived.

Make it last.



SANPAN

THE ULTIMATE IN PONTOON LUXURY

*The Definition
of Leisure.*



THE DEFINITION OF LEISURE

We don't believe in simply setting the standard for style, quality, comfort and performance; we're constantly looking for ways to exceed our own boundaries and redefine the category. We believe in craftsmanship and a level of meticulous attention to detail where every weld, every fastener and every stitch matters. Our Godfrey Sanpan series is built with an intuitive design and uncompromising quality that exceeds expectations.

Make It Last.



TWIN

STANDARD EQUIPMENT

- 29" iMPACT+ Tube Package
 - 29" Center Tube; Two 27" Outer Tubes
- Headlights With Navigation & Docking Lights
- Full Spectrum RGB Color Lighting Package
- 12" Touchscreen Display
- Godfrey Digital Gauges
- Audio System With 4 RGB Speakers
- USB/USB-C Charging Ports
- Wireless Phone Charger
- Stainless Steel Comfort Climb Ladder
- Removable Ski Tow Pylon
- Deluxe Captain's & Co-Captain's Chairs With Adjustable Pedestal
- Cooled Captain's Cup Holder
- Standard Table With Stainless Steel Cup Holders



Top: Godfrey Digital Gauges & 12" Touchscreen Display

Bottom: Walk-Thru Windshield & Optional Black Sport Arch



Sanpan 2700 Ultra Lounge Windshield With Twin Engines-Shown With Metallic Black Smooth Rail Skins & Black Rails.



Sanpan 2300 Ultra Lounge With Co-Captain's Seating-Shown With Charcoal Smooth Rails Skins, Metallic Black Smooth Insert & Black Rails.

LOUNGE

STANDARD EQUIPMENT

- 27" GTP Tube Package
 - 27" Center Tube; Two 25" Outer Tubes
- Headlights With Navigation & Docking Lights
- Full Spectrum RGB Color Lighting Package
- 12" Touchscreen Display
- Godfrey Digital Gauges
- Audio System With 4 RGB Speakers
- USB/USB-C Charging Ports
- Wireless Phone Charger
- Stainless Steel Comfort Climb Ladder
- Sport Polished Ski Tow Bar
- Deluxe Captain's & Co-Captain's Chairs With Adjustable Pedestal
- Cooled Captain's Cup Holder
- Standard Table With Stainless Steel Cup Holders

Top: 12" Touchscreen Display

Bottom: Ultra Lounge Stern Seating With Standard Table





SPLIT BENCH

STANDARD EQUIPMENT

- 27" GTP Tube Package
 - 27" Center Tube; Two 25" Outer Tubes
- Headlights With Navigation & Docking Lights
- Full Spectrum RGB Color Lighting Package
- 12" Touchscreen Display
- Godfrey Digital Gauges
- Audio System With 4 RGB Speakers
- USB/USB-C Charging Ports
- Wireless Phone Charger
- Stainless Steel Comfort Climb Ladder
- Sport Polished Ski Tow Bar
- Deluxe Captain's & Co-Captain's Chairs With Adjustable Pedestal
- Cooled Captain's Cup Holder

Top Left: Wireless Phone Charger

Top Right: Deluxe Captain's Chair With Adjustable Pedestal & Base

Bottom: Split Bench Layout & Optional Powered Action Tower



Sanpan 2500 Split Bench With Co-Captain's Chair-Shown With Metallic Pearl White Rail Skins, Metallic Navy Smooth Rail Skin Insert & Silver Rails.



WINDSHIELD

STANDARD EQUIPMENT

- 27" GTP Tube Package
 - 27" Center Tube; Two 25" Outer Tubes
- Headlights With Navigation & Docking Lights
- Full Spectrum RGB Color Lighting Package
- 12" Touchscreen Display
- Godfrey Digital Gauges
- Audio System With 4 RGB Speakers
- Wireless Phone Charger
- Stainless Steel Comfort Climb Ladder
- Sport Polished Ski Tow Bar
- Stainless Steel Safety Barrier & Gate
- Deluxe Captain's & Co-Captain's Chairs With Adjustable Pedestal
- Cooled Captain's Cup Holder
- Stern Storage Cabinet With Dedicated Table Storage, Dual Surface Counter Top & Cup Holders



Top: Walk-Thru Windshield

Bottom: Dual Flip Lounge



Sanpan 2700 Dual Flip Lounge Windshield-Shown With Metallic Pearl White Smooth Rail Skins, Metallic Bronze Smooth Rail Skin Insert & Silver Rails.

INTERIOR SELECTIONS

FLOORING OPTIONS



GOLDEN WEAVE



HATCH CARAMEL



PLATINUM WEAVE



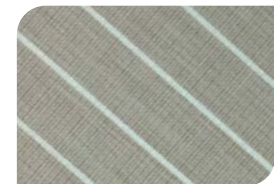
HATCH SLATE



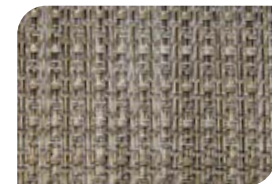
PAJA BEIGE



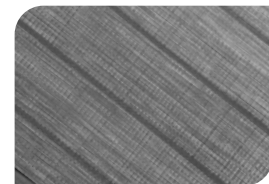
LAKEPORT PLANK



HARBOR TAN



METRO TANNERY



HARBOR GRAY



METRO GRAY



VAPOR BLUE



KIWI GREEN

VINYL OPTIONS

STANDARD VINYL



BAYSIDE CARAMEL



BAYSIDE SLATE

UPGRADE VINYL



SIMTEX ICE PROTOUR RED



BAYSIDE SLATE PROTOUR RED



SIMTEX ICE

UPGRADE VINYL ACCENTS



SPORT RED



VAPOR BLUE

EXTERIOR SELECTIONS



Customization Options:

- (A) Base Rail Skin Color
- (B) Rail Skin Insert Color
- (C) Rail Color
- (D) Arch Selection (pg. 92)

RAIL SKIN (FLUTED OR SMOOTH)



METALLIC BLACK



METALLIC NAVY



METALLIC BLACK CHERRY



METALLIC BRONZE

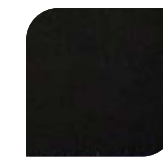


CHARCOAL

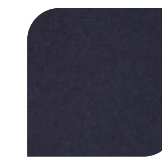


METALLIC PEARL WHITE

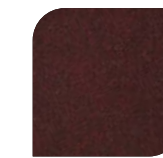
CANVAS COLOR



BLACK



NAVY



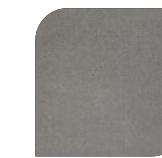
BLACK CHERRY



TAN



CHARCOAL



GRAY

RAIL COLOR



SILVER RAILS



BLACK RAILS

250 XP

FAST AT ANY SPEED



*Escape and
adventure.*



ESCAPE & ADVENTURE

Always ready for action, the Godfrey XP's sport-infused design touts a streamlined architecture that boasts unmatched power. We've rethought what a pontoon can be with bow located, forward facing, lounge style seats; and twin, rear-facing stern mounted bucket seats. Plush and contoured, they're perfect for cruising, relaxing or soaking up the sun with friends. With a reverse arch design and robust tube-frame construction, you and your friends will be sure to enjoy every day on the water.

Make it last.



250 XP

STANDARD EQUIPMENT

- 29" iMPACT+ Tube Package
 - 29" Center Tube; Two 27" Outer Tubes
- LED Navigation & Docking Lights With LED Accents
- Full Spectrum RGB Color Lighting Package
- 7" Touchscreen Display
- Multifunction GPS Gauges
- Audio System With 6 Speakers
- Wireless Phone Charger
- Stainless Steel Comfort Climb Ladder
- Deluxe Cage Style Ski Tow Bar
- Chaise Changing Room

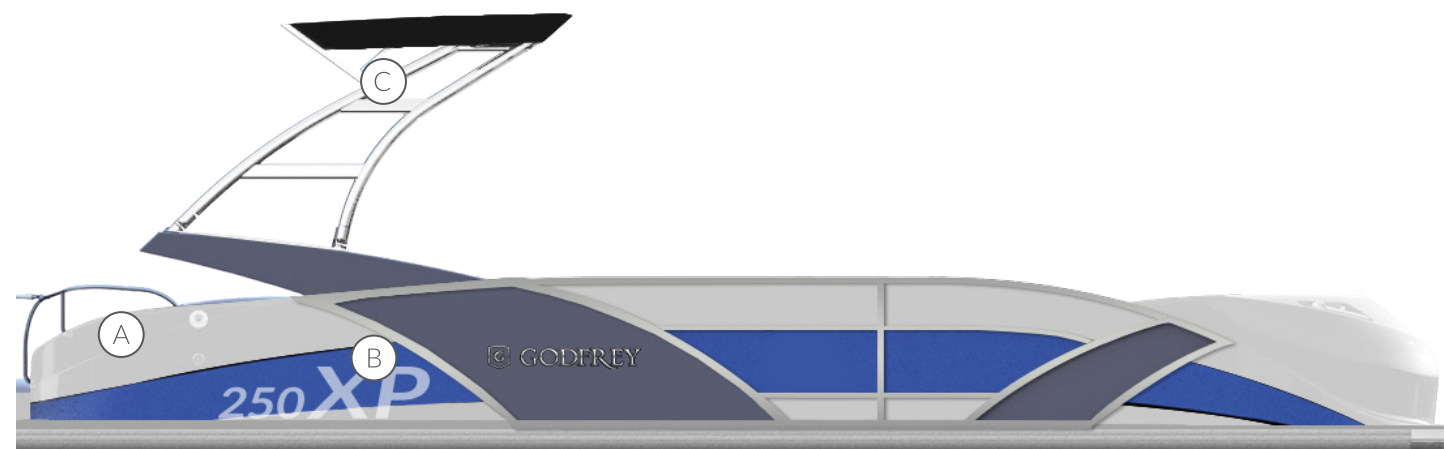


Top: Multifunction GPS Gauges & 7"

Touchscreen Display

Bottom: Rear Fiberglass Bucket Seats

INTERIOR/EXTERIOR SELECTION



Customization Options: (A) Fiberglass & Rail Skin Color (B) Graphics Color (C) Arch Color

FIBERGLASS & RAIL SKIN COLOR



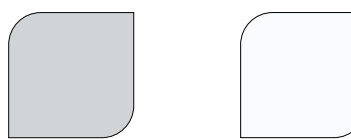
BLACK WHITE

ARCH COLOR



BLACK WHITE

VINYL COLOR



GRAVEL WHITE

VINYL OPTIONS



WHITE/HARBOR BLUE



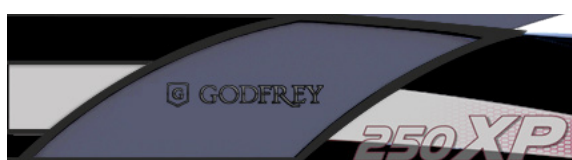
WHITE/MERLOT



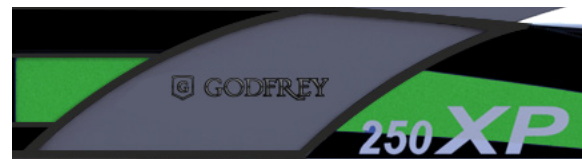
GRAPHICS OPTIONS



BLACK/HARBOR BLUE



BLACK/MERLOT



BLACK/KIWI GREEN





AQUAPATIO

PERFORMANCE FOR THE BOLD

UNRIVALED FUN

Make memories to last a lifetime on one of our Godfrey AquaPatio models. Built to last and engineered to stand the test of time, our AquaPatio series pulls out all the stops. Experience power unleashed and the difference that comes with unbeatable pontoon performance. Blur the lines between style, convenience, and comfort for a one-of-a-kind boating experience.

Make it Last.



*Unrivaled
Fun.*



TWIN

STANDARD EQUIPMENT

- 29" iMPACT+ Tube Package
29" Center Tube; Two 27" Outer Tubes
- Headlights With Navigation & LED Docking Lights
- 9" Touchscreen Display
- Godfrey Digital Gauges
- Audio System With 6 RGB Speakers
- Wireless Phone Charger
- Stainless Steel Comfort Climb Ladder
- Removable Ski Tow Pylon
- Captain's & Co-Captain's Chairs With Adjustable Pedestal
- Standard Table With Stainless Steel Cup Holders



Top: Headlights With Navigation & LED Docking Lights

Bottom: Twin Engines, Ultra Lounge Stern Seating, Stern Table, Dual Captain & Co-Captain's Chairs



AquaPatio 255 Ultra Lounge With Co-Captain's Chair-Shown With Charcoal Smooth Rail Skins, Pearl White Graphics & Black Rails.

LOUNGE

STANDARD EQUIPMENT

- 27" GTP Tube Package
 - 27" Center Tube; Two 25" Outer Tubes
- Headlights With Navigation & LED Docking Lights
- 7" Touchscreen Display
- Multi-Function GPS Gauges
- Audio System with 6 RGB Speakers
- Wireless Phone Charger
- Captain's & Co-Captain's Chairs With Adjustable Pedestal
- Stainless Steel Comfort Climb Ladder
- Standard Table With Stainless Steel Cup Holders

Top: 7" Touchscreen Display, Multi-Function GPS Gauges & Stereo System

Bottom: Stern Table & Ultra Lounge Seating





SPLIT BENCH

STANDARD EQUIPMENT

- 27" GTP Tube Package
 - 27" Center Tube; Two 25" Outer Tubes
- Headlights With Navigation & LED Docking Lights
- 7" Touchscreen Display
- Multi-Function GPS Gauges
- Audio System With 6 RGB Speakers
- Wireless Phone Charger
- Stainless Steel Comfort Climb Ladder
- Rectangle Table With Stainless Steel Cup Holders



Top: Bow Split Bench Seating

Bottom: Split Bench Layout



AquaPatio 235 Split Bench With Co-Captain's Chair-Shown With Metallic Navy Rail Skins & Silver Rails.



SUNDECK

STANDARD EQUIPMENT

- 29" iMPACT+ Tube Package
 - 29" Center Tube; Two 27" Outer Tubes
- Headlights With Navigation & LED Docking Lights
- 7" Touchscreen Display
- Multifunction GPS Gauges
- Audio System With 6 RGB Speakers
- Wireless Phone Charger
- Stainless Steel Comfort Climb Ladder
- Entertainment Center



Top Left: Washdown

Top Right: Sink With Faucet & Integrated Lid, Pullout Trash Can, Towel Bars, Storage Unit, 5 Gallon Fresh Water Tank

Bottom: Helm Station With Integrated Helm Platform





ENTERTAINMENT

STANDARD EQUIPMENT

- 27" GTP Tube Package
27" Center Tube; Two 25" Outer Tubes
- Headlights With Navigation & LED Docking Lights
- 7" Touchscreen Display
- Multifunction GPS Gauges
- Audio System With 6 RGB Speakers
- Wireless Phone Charger
- Stainless Steel Comfort Climb Ladder
- Stainless Steel Safety Barrier & Gate
- Bar Seating
- Entertainment Center
- Stern Entertainment Bar
- Stainless Steel Comfort Climb Ladder
- Standard Table With Stainless Steel Cup Holders

Top Left: Grill Master With Dual Level Surface Area With Stainless Steel Gas Grill

Top Right: Sink With Faucet & Small Fresh Water Tank

Bottom: Bar Seating: Custom Woodgrain Table, 2 Integrated Wireless Phone Chargers, USB Ports & Accent Lighting



INTERIOR SELECTIONS

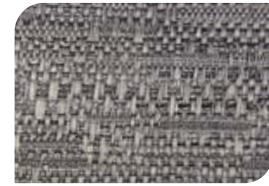
FLOORING OPTIONS



GOLDEN WEAVE



HATCH CARAMEL



PLATINUM WEAVE



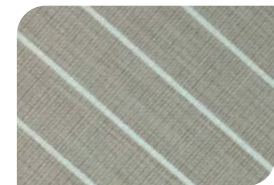
HATCH SLATE



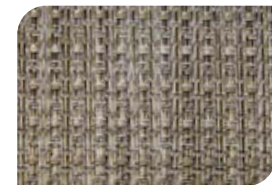
PAJA BEIGE



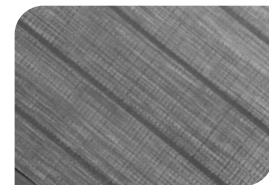
LAKEPORT PLANK



HARBOR TAN



METRO TANNERY



HARBOR GRAY



METRO GRAY



VAPOR BLUE



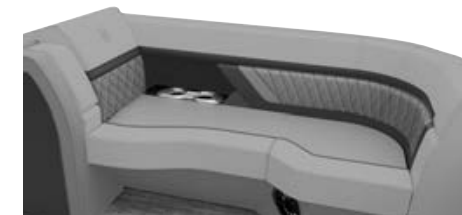
KIWI GREEN

VINYL OPTIONS

STANDARD VINYL



SAHARA TAN



LUNAR GRAY

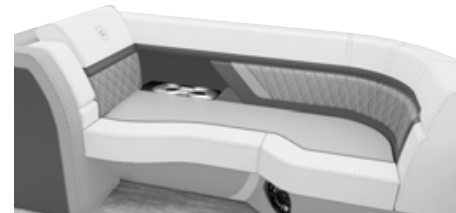
UPGRADE VINYL



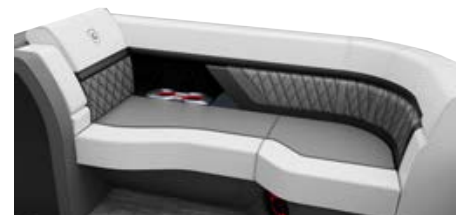
BAYSIDE CARAMEL



COGNAC



BAYSIDE SLATE



BAYSIDE WHITE

UPGRADE VINYL ACCENTS



SPORT RED



VAPOR BLUE



KIWI GREEN

EXTERIOR SELECTIONS

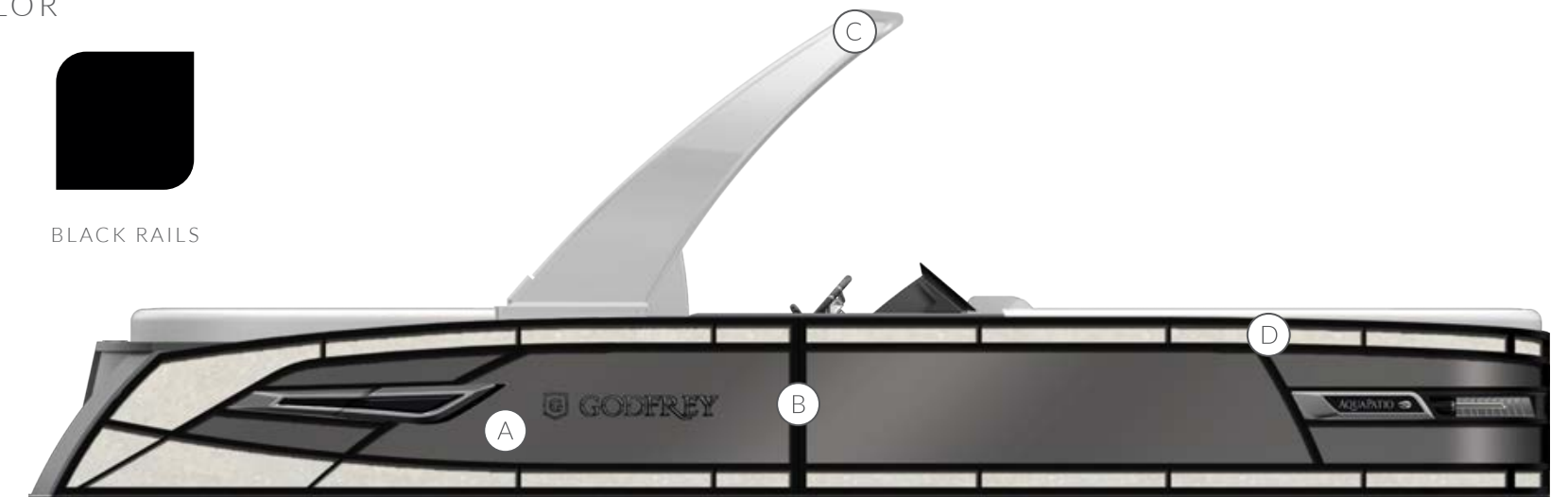
RAIL COLOR



SILVER RAILS



BLACK RAILS



Customization Options:

(A) Rail Skin Color

(C) Arch Selection (pg. 92)

(B) Rail Color

(D) Graphic Option

RAIL SKIN (FLUTED OR SMOOTH)



METALLIC BLACK



METALLIC NAVY



METALLIC VAPOR BLUE



METALLIC BLACK CHERRY



METALLIC BRONZE

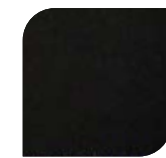


CHARCOAL

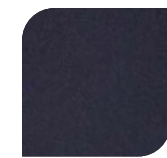


METALLIC PEARL WHITE

CANVAS COLOR



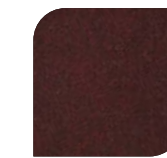
BLACK



NAVY



VAPOR BLUE



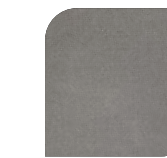
BLACK CHERRY



TAN



CHARCOAL

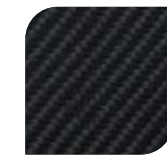


GRAY

GRAPHICS



PEARL WHITE



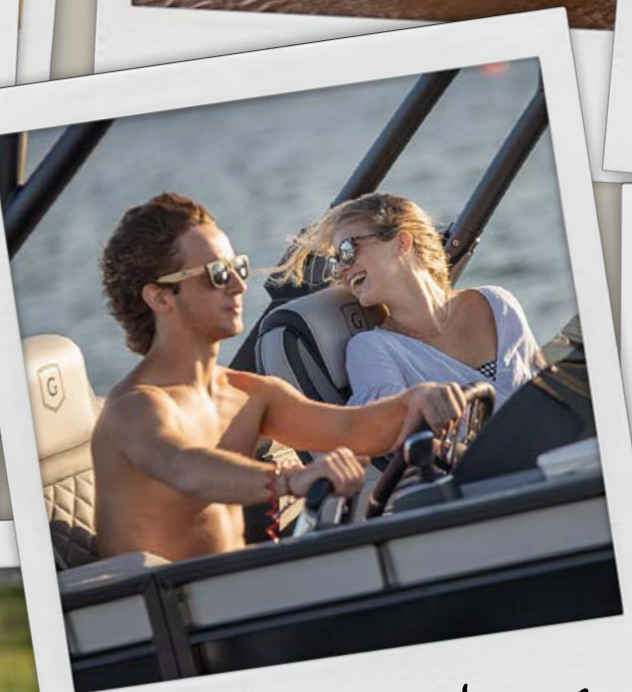
CARBON FIBER



SLATE



CARAMEL



Paradise found.

Days like these.

Perfect boat days.

Make it last.



Family time.



Lake hair, don't care.



Quality time.



Lasting connections.

Dog days.

Sun's out, fun's out.

MONACO

A LASTING LEGACY



Versatility in design.



VERSATILITY IN DESIGN

Elevate your time on the water with our Godfrey Monaco series where our enduring quality meets enhanced finishes. Gracefully arched rails mirror the horizon line while a custom interior delivers high-comfort and high-demand features. From premium furniture with luxurious cushioning to intuitive layouts and finishes, comfort always comes first on a Godfrey Pontoon Boat. The Monaco series delivers upgraded comfort you not only feel, but also appreciate with smartly integrated extras that enhance your experience.

Make it Last.



CRUISE

STANDARD EQUIPMENT

- 25" Outer Tubes
- LED Docking Lights
- Standard Gauges
- Audio System With 4 Speakers
- USB/USB-C Charging Ports
- Oval Table with Built-In Cup Holders



Top: Stern Toy Box Storage

Bottom: Standard Gauges & Windscreen



Monaco 215 With C-Seating-Shown With Metallic Pearl White Rail Skins & Charcoal Smooth Rail Skin Insert.



LOUNGE

STANDARD EQUIPMENT

- 25" Outer Tubes
- LED Docking Lights
- Standard Gauges
- Audio System With 4 Speakers
- USB/USB-C Charging Ports
- Silver EZ Climb Stern Ladder



Top: Helm Station With Display

Bottom: Rear Lounge Seating



SPLIT BENCH

STANDARD EQUIPMENT

- 25" Outer Tubes
- LED Docking Lights
- Standard Gauges
- Audio System With 4 Speakers
- USB/USB-C Charging Ports
- Silver EZ Climb Stern Ladder
- Oval Table With Built-In Cup Holders



Top: Helm

Bottom: Split Bench Layout





SUNDECK

STANDARD EQUIPMENT

- 27" Outer Tubes
- LED Docking Lights
- Standard Gauges
- Audio System With 4 Speakers
- USB/USB-C Charging Ports
- Stainless Steel Comfort Climb Ladder
- Oval Table With Built-In Cup Holders
- Extended Deck Standard



Top: Helm

Bottom: Sundeck Layout



Monaco 255 SunDeck-Shown With Metallic Pearl White Rail Skins, Charcoal Smooth Rail Skin Insert, Carbon Fiber Top Stripe, Metallic Black Bottom Stripe, Vapor Blue Bright Accent Graphic & Silver Rails.



Monaco 235 Fish Stern with Bow Sofas-Shown With Metallic Navy Rail Skins, Slate Graphics Package, Slate Top Stripe, Silver Bottom Stripe & Silver Rails.

CRUISE & FISH

STANDARD EQUIPMENT

- 25" Outer Tubes
- LED Docking Lights
- Standard Gauges
- Audio System With 4 Speakers
- USB/USB-C Charging Ports
- Silver EZ Climb Ladder
- Upright Rod Storage Locker
- Deluxe Stern Fish Seats
- Trolling Motor Harness Kit With Plug & Half Gate
- Stern Fiberglass Fish Prep Station
 - 16.5 Gallon Aerated Livewell
 - Sink With Transom Shower Faucet
 - Tackle Bag Storage
 - Plano Box Storage
 - Rod Holders

Top: Fishing Rod & Tackle Box Storage

Bottom: Stern Fiberglass Fish Prep Station & Deluxe Stern Fish Seats





ENTERTAINMENT

STANDARD EQUIPMENT

- 25" Outer Tubes
- LED Docking Lights
- Standard Gauges
- Audio System With 4 Speakers
- USB/USB-C Charging Ports
- Bar Seating
 - Bar Stools With Sliders
 - Footrests & 15"-19" Adjustable Pedestals
 - Solid Surface Bar Top



Top: Quilted Captain's Chair

Bottom: Midship Table & Barstools with Backrest



Monaco 255 Midship Table-Shown With Metallic Pearl White Rail Skins, Metallic Black Smooth Rail Skin Insert, Carbon Fiber Top Stripe & Black Bottom Stripe Graphics with Black Rails.

INTERIOR SELECTIONS

FLOORING OPTIONS



GOLDEN WEAVE



HATCH CARAMEL



PLATINUM WEAVE



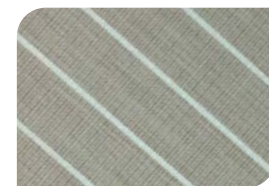
HATCH SLATE



PAJA BEIGE



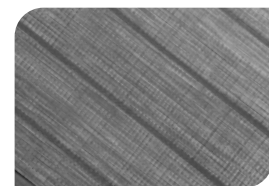
LAKEPORT PLANK



HARBOR TAN



METRO TANNERY



HARBOR GRAY



METRO GRAY



VAPOR BLUE



KIWI GREEN

VINYL OPTIONS

STANDARD VINYL



SAHARA TAN



LUNAR GRAY

UPGRADE VINYL



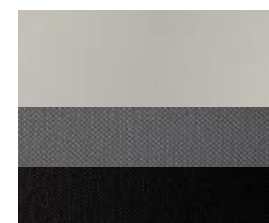
COGNAC



BAYSIDE CARAMEL



BAYSIDE WHITE



BAYSIDE SLATE

APPLICATION

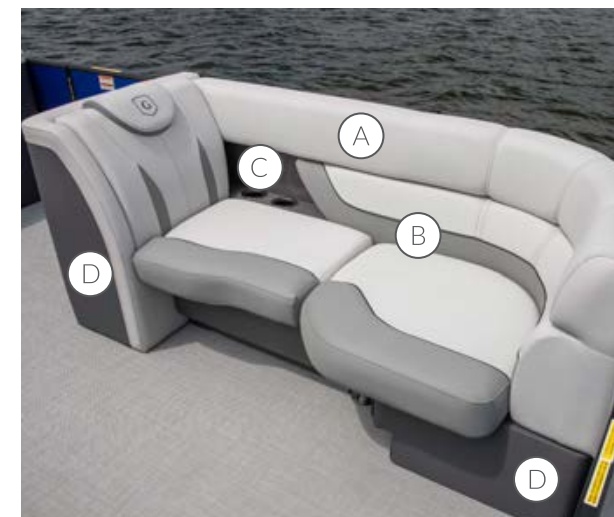
- (A) BASE VINYL
- (B) ACCENT VINYL
- (C) BACKREST LOWER ROLL BOX WRAP
- (D) BOX WRAP



TAN

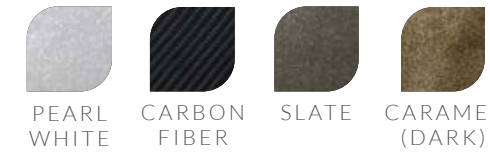
GRAY

REFERENCE IMAGE



EXTERIOR SELECTIONS

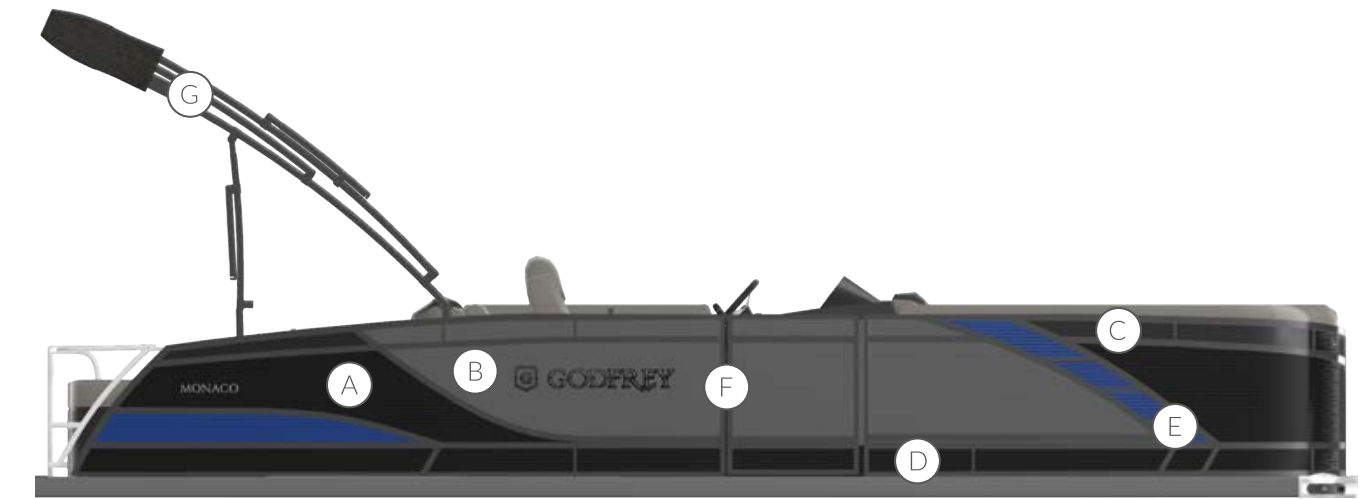
TOP STRIPE GRAPHIC



BOTTOM STRIPE GRAPHIC



BRIGHT ACCENT



- Customization Options:
- (A) Rail Skin
 - (B) Rail Skin Insert
 - (C) Top Stripe
 - (D) Bottom Stripe
 - (E) Bright Accent
 - (F) Rail Color
 - (G) Canopy or Arch (pg. 92)

RAIL SKIN (FLUTED OR SMOOTH)



CANVAS COLOR



RAIL COLOR





SWEETWATER

UNBELIEVABLE VERSATILITY

PURSUE YOUR PASSION

Sweetwater pontoons offer a life-changing experience at a fantastic value. These pontoons offer the high-quality features and alluring amenities you would normally find on our higher end models. These action-packed, affordable pontoons are perfect for any family who wants to spend time together on the water.

Make it last.



Pursue your passion.



LOUNGE

STANDARD EQUIPMENT

- 25" Outer Tubes
- Standard Gauges
- Audio System With 4 Speakers
- USB/USB-C Charging Ports
- Round Table With Built-In Cup Holders
- Stainless Steel Safety Barrier & Gate



Top: Stern Single Flip Lounge

Bottom: Single Flip Lounge Layout With Round Table & Built-In Cup Holders





ENTERTAINMENT

STANDARD EQUIPMENT

- 25" Outer Tubes
- Standard Gauges
- Audio System With 4 Speakers
- USB/USB-C Charging Ports
- Silver EZ Climb Ladder
- Entertainment center
 - Built-In Sink With Hand Pump
 - Cooler Storage



Top: Dinette Table Layout

Bottom: Washdown



Sweetwater 2486 Dinette Table-Shown With Metallic Navy Rail Skins, Pearl White Graphic & Silver Rails.

CRUISE

STANDARD EQUIPMENT

- 25" Outer Tubes
- Standard Gauges
- Audio System With 4 Speakers
- USB/USB-C Charging Ports
- Stern Table With Built-In Cup Holders



Sweetwater 2286 Cruise-Shown With Metallic Navy Rail Skins & Black Rails.

CRUISE & FISH

STANDARD EQUIPMENT

- 25" Outer Tubes
- Standard Gauges
- Audio System With 4 Speakers
- USB/USB-C Charging Ports
- EZ Climb Ladder
- Stern Fish Seats
- Rod Holders & Lockable Rod Storage Box
- Trolling Motor Harness Kit With Plug & Half Gate
- Stern Fiberglass Fish Prep Station
 - 16.5 Gallon Aerated Livewell
 - Sink With Transom Shower Faucet
 - Tackle Bag Storage
 - Plano Box Storage
 - Rod Holders



Sweetwater 2286 Fish Stern-Shown With Metallic Bronze Rail Skins & Black Rails.

Bottom Left: Bow Cooler Table

Bottom Right: Stern Table with Cup Holders



Bottom Left: Stern Fiberglass Fish Prep Station

Bottom Right: Bow Sofa Storage



SPLIT BENCH

STANDARD EQUIPMENT

- 25" Outer Tubes
- Standard Gauges
- Audio System With 4 Speakers
- USB/USB-C Charging Ports
- EZ Climb Ladder



Sweetwater 2286 Split Bench-Shown With Metallic Vapor Blue Rail Skins, Pearl White Graphic & Black Rails.



Bottom: Split Bench Layout

FISH

STANDARD EQUIPMENT

- 25" Outer Tubes
- Standard Gauges
- Audio System With 4 Speakers
- USB/USB-C Charging Ports
- EZ Climb Ladder
- Stern Fish Seats
- Rod Holders & Lockable Rod Storage Box
- Trolling Motor Harness Kit With Plug & Half Gate
- Stern Fiberglass Fish Prep Station
 - 16.5 Gallon Aerated Livewell
 - Sink With Transom Shower Faucet
 - Tackle Bag Storage
 - Plano Box Storage
 - Rod Holders



Sweetwater 2186 Fish-Shown with Charcoal Rail Skins & Silver Rails.

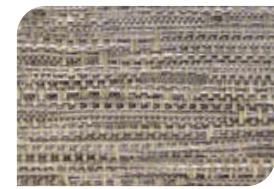


Bottom: Stern Fish Prep Station



INTERIOR SELECTIONS

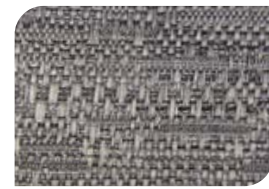
FLOORING OPTIONS



GOLDEN WEAVE



HATCH CARAMEL



PLATINUM WEAVE



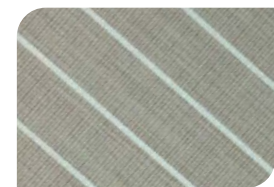
HATCH SLATE



PAJA BEIGE



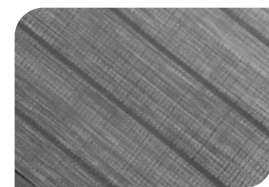
LAKEPORT PLANK



HARBOR TAN



METRO TANNERY



HARBOR GRAY



METRO GRAY



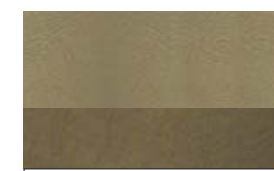
VAPOR BLUE



KIWI GREEN

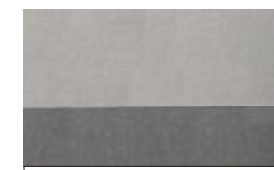
VINYL OPTIONS

STANDARD VINYL



ACCENT COLOR

SELECT TAN



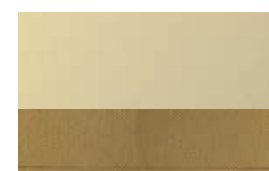
ACCENT COLOR

SELECT GRAY

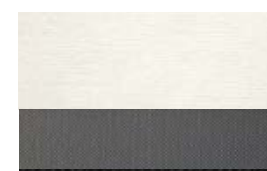
UPGRADE VINYL



SAHARA TAN



BAYSIDE CARAMEL



BAYSIDE WHITE

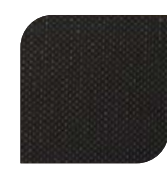


LUNAR GRAY



BAYSIDE SLATE

ACCENT COLORS



CARBON



NAVY



BLACK CHERRY



MOCHA



KIWI GREEN



VAPOR BLUE

ONLY ON BAYSIDE SLATE AND BAYSIDE WHITE INTERIORS

EXTERIOR SELECTIONS

RAIL SKIN ACCENT STRIPE



BLACK



GOLD



SILVER

RAIL SKIN GRAPHIC



AUTUMN GOLD



KIWI GREEN

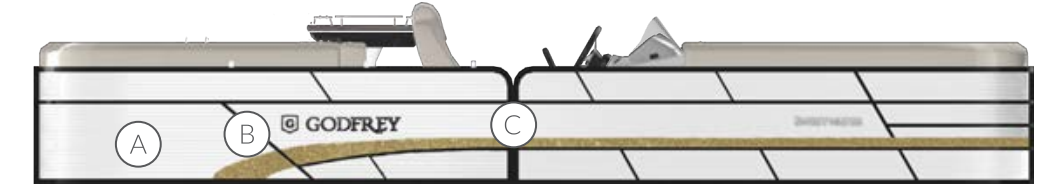


PEARL WHITE

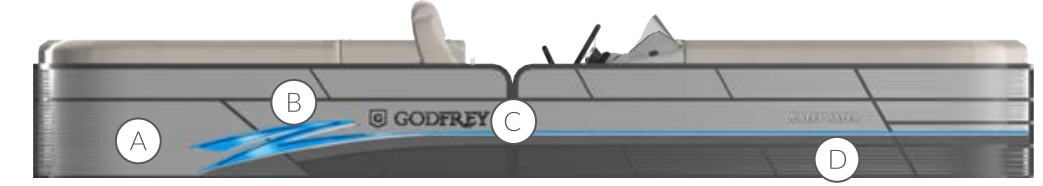


VAPOR BLUE

RAIL SKIN ACCENT STRIPE



RAIL SKIN GRAPHIC



Customization Options:

- (A) Rail Skin Color
- (B) Accent Stripe or Rail Skin Graphic

- (C) Rail Color
- (D) Carbon Fiber Graphic (Standard with Graphic)

RAIL SKIN (FLUTED)



METALLIC BLACK



METALLIC NAVY



METALLIC VAPOR BLUE



METALLIC BLACK CHERRY



METALLIC BRONZE



CHARCOAL

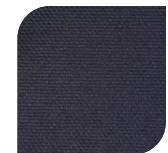


METALLIC PEARL WHITE

CANVAS COLOR



BLACK



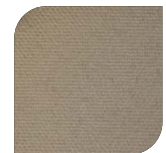
NAVY



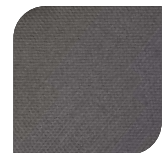
VAPOR BLUE



BLACK CHERRY



TAN



CHARCOAL



GRAY

RAIL COLOR



SILVER RAILS



BLACK RAILS

SWEETWATER XPERIENCE

TIMELESS QUALITY & DESIGN



*Everything
you need.*



EVERYTHING YOU NEED

Experience the best of all worlds between Fishing, Cruising, and Split Bench models aboard our Sweetwater Xperience series. You will love making memories on these versatile pontoons. No gimmicks, no compromises, just pure, enduring Godfrey quality on a pontoon that delivers everything you need and nothing you don't.

Make it last.



SPLIT BENCH

STANDARD EQUIPMENT

- 25" Outer Tubes
- Standard Gauges
- Audio System With 4 Speakers
- USB/USB-C Charging Ports
- EZ Climb Ladder
- Round Table With Built-In Cup Holders
- Two Movable Seat Cup Holders



CRUISE

STANDARD EQUIPMENT

- 25" Outer Tubes
- Standard Gauges
- Audio System With 2 Speakers
- USB/USB-C Charging Ports
- EZ Climb Ladder
- Round Table With Built-In Cup Holders
- Two Movable Seat Cup Holders



Sweetwater Xperience 2086 Cruise-Shown With Metallic Black Rail Skins & Silver Rails.

FISH

STANDARD EQUIPMENT

- 23" Outer Tubes
- Standard Gauges
- Audio System With 2 Speakers
- USB/USB-C Charging Ports
- EZ Climb Ladder
- Bow & Stern Fish Seats
- Round Table With Built-In Cup Holders
- Movable Seat Cup Holder
- Trolling Motor Harness Kit With Plug & Half Gate
- Aerated Livewell
- Rod Holders



Sweetwater Xperience 1880 Fish-Shown With Charcoal Rail Skins & Silver Rails.



Bottom Left: Helm Station & Captain's Chair



Bottom Left: Bow Fishing Seats

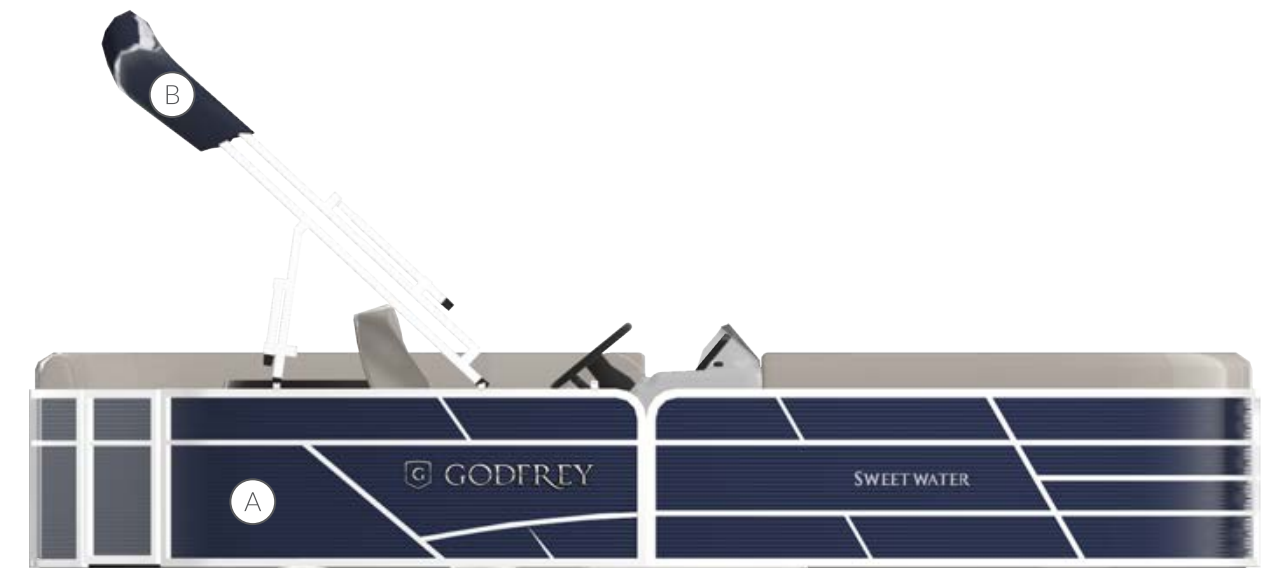


Bottom Right: Stern Fish Station





INTERIOR/EXTERIOR SELECTIONS



Customization Options: (A) Rail Skin Color (B) Canvas

RAIL SKINS (FLUTED)



CANVAS



FLOORING



VINYL



PLATINUM GRAY VINYL

PERFORMANCE PACKAGES



25" OR 27" TWO TUBE



- 25" or 27" Tubes with marine-grade decking and exclusive Slipstream motorpan
- Standard Slipstream motorpan and 30 gal. fuel tank

27" OR 29" SPORT TUBE



- 27" or 29" Sport Tube with center tube lifting strakes
- 27" Sport Tube has 25" outer tubes
- 29" Sport Tube has 27" outer tubes
- Standard Slipstream motorpan and 30 gal. fuel tank
- GPS speedometer

27" GTP TRIPLE TUBE



- 27" center tube has 25" outer tubes
- Oversized 6" lifting strakes
- Under-deck skin (full length)
- Lifting strakes and inside skirting
- Power-assist hydraulic steering
- 45 gal. fuel tank and GPS speedometer

29" iMPACT+ TRIPLE TUBE



- 29" center tube has 27" outer tubes
- Oversized 6" lifting strakes
- Under-deck skin (full length)
- Lifting strakes and inside skirting
- Power-assist hydraulic steering
- 61 gal. fuel tank for single engines & 121 gal. fuel tank for twin engines

PERFORMANCE PACKAGES

	25" 2 TUBE		27" 2 TUBE		27" SPORT TUBE		29" SPORT TUBE		27" GTP		29" iMPACT+	
	PER CAP.	MAX HP	PER CAP.	MAX HP	PER CAP.	MAX HP	PER CAP.	MAX HP	PER CAP.	MAX HP	PER CAP.	MAX HP
SWX 1886	10	75	-	-	-	-	-	-	-	-	-	-
SWX 2086	11	90	-	-	-	-	-	-	-	-	-	-
SWX 2286	12	150	-	-	12	150	-	-	-	-	-	-
SW 1886	10	75	11	90	10	105	11	115	-	-	-	-
SW 2086	11	90	13	100	12	115	14	115	12	150	-	-
SW 2186	11	150	13	150	12	150	14	150	12	200	14	200
SW 2286	12	150	14	150	12	150	14	150	13	200	15	250
SW 2386	13	150	14	150	14	150	16	150	15	300	17	300
SW 2486	14	150	16	150	15	150	17	150	15	300	17	300
MC 195	10	75	11	90	10	105	11	115	11	115	13	135
MC 215	11	150	12	150	11	150	13	150	12	200	14	250
MC 235	12	150	14	150	15	150	16	150	15	300	16	300
MC 255	14	150	16	150	15	150	17	150	15	300	17	400
AP 215	-	-	-	-	-	-	-	-	12	200	14	250
AP 235	-	-	-	-	-	-	-	-	15	300	16	300
AP 255	-	-	-	-	-	-	-	-	15	300	17	400
AP 256	-	-	-	-	-	-	-	-	-	-	12-13	350-600
AP 275	-	-	-	-	-	-	-	-	15	425	18	425
250XP	-	-	-	-	-	-	-	-	-	-	17	425
SP 2300	-	-	-	-	-	-	-	-	15	300	16	300
SP 2500	-	-	-	-	-	-	-	-	15	300	17	400
SP 2700	-	-	-	-	-	-	-	-	15	425	18	425



GAUGE OFFERINGS

- MECHANICAL GAUGES
- GPS GAUGES
- GODFREY DIGITAL GAUGES

SANPAN	XP	AQUAPATIO	MONACO	SWEETWATER	XPERIENCE
-	-	-	STANDARD	STANDARD	STANDARD
-	STANDARD	STANDARD	OPTIONAL	OPTIONAL	-
STANDARD	OPTIONAL	OPTIONAL	OPTIONAL	OPTIONAL	-

GODFREY DIGITAL GAUGES STANDARD ON TWIN MODELS

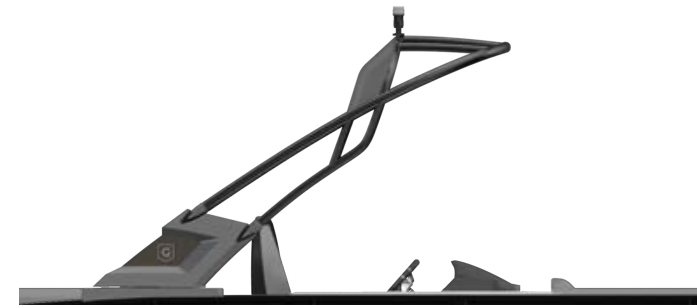
GPS GAUGES STANDARD ON MONACO TRIPLE TUBE PACKAGES

DISPLAY OFFERINGS

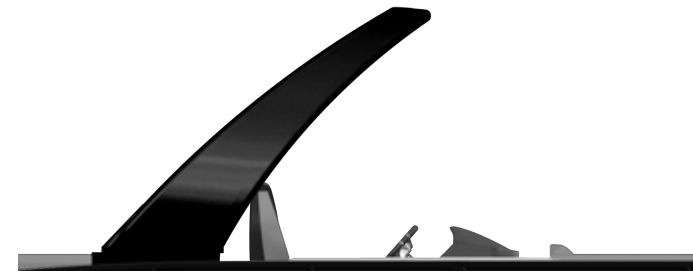
- LOWRANCE REVEAL 5"
- SIMRAD GO 7 XSE
- GARMIN 743xs
- GARMIN 943xs
- GARMIN 1243xs

SANPAN	XP	AQUAPATIO	MONACO	SWEETWATER	XPERIENCE
-	-	-	OPTIONAL	OPTIONAL	-
-	-	-	OPTIONAL	OPTIONAL	-
OPTIONAL	STANDARD	STANDARD	OPTIONAL	OPTIONAL	-
-	OPTIONAL	OPTIONAL	-	-	-
STANDARD	-	-	-	-	-

ARCHES & SKI TOWS



POWERED ACTION TOWER



SPORT ARCH
(AVAILABLE IN BLACK OR WHITE)

ARCH OFFERINGS

- POWERED ACTION TOWER
- SPORT ARCH

	SANPAN	AQUAPATIO	MONACO
POWERED ACTION TOWER	2300 SBC	235 SBC, SBW	235 RL, SB
SPORT ARCH	2500 DFLW, SBC, SBW, ULC, ULW 2700 DFLW, SBC, SBW, ULC, ULW, TWINS	255 DFLW, SBC, SBH, SBW ULC, ULW, TWINS	255 RL, SB



SPORT SKI TOW
(SILVER)



SPORT SKI TOW
(BLACK)



DELUXE CAGE SKI TOW
(SILVER)



FLAT DECK SKI TOW
(SILVER)



FISH SKI TOW
(SILVER)

SKI TOW OFFERINGS

- SPORT SKI TOW
- DELUXE CAGE SKI TOW
- FLAT DECK SKI TOW
- FISH SKI TOW

	SANPAN	XP	AQUAPATIO	MONACO	SWEETWATER	XPERIENCE
SPORT SKI TOW	✓	✓	✓	✓		
DELUXE CAGE SKI TOW		✓	✓	✓		
FLAT DECK SKI TOW					✓	✓
FISH SKI TOW				✓	✓	✓

AUDIO SYSTEMS

AUDIO SYSTEMS

FUSION STANDARD

MS HEAD UNIT, 4 BLACK SPEAKERS



FUSION COLOR CAST

MS HEAD UNIT, 4 SPORT GRAY RGB SPEAKERS



FUSION APOLLO SILVER DSP

APOLLO DSP HEAD UNIT 4 XS UPGRADED RGB SPEAKERS, CHROME GRILLES



FUSION APOLLO GOLD DSP

APOLLO DSP HEAD UNIT, 6 XS UPGRADED RGB SPEAKERS, CHROME GRILLES, 4-CHANNEL AMPLIFIER



FUSION APOLLO PLATINUM DSP (SANPAN)

APOLLO DSP HEAD UNIT, 6 XS UPGRADED RGB SPEAKERS, CHROME GRILLES, AMPLIFIER, RGB SUBWOOFER, WIRELESS REMOTE



FUSION APOLLO PLATINUM DSP

APOLLO DSP HEAD UNIT, 6 XS UPGRADED RGB SPEAKERS, CHROME GRILLES, AMPLIFIER, RGB SUBWOOFER, WIRELESS REMOTE



JL GODFREY EXTREME SOUND (GXS)

MFD DISPLAY, 6 XS UPGRADED RGB SPEAKERS, GUNMETAL GRILLES, 6-CHANNEL AMPLIFIER, RGB SUBWOOFER, WIRELESS REMOTE



	SANPAN	AQUAPATIO	MONACO	SWEETWATER
FUSION STANDARD	-	-	STANDARD	STANDARD
FUSION COLOR CAST	-	STANDARD (6 SPEAKERS)	OPTIONAL	OPTIONAL
FUSION APOLLO SILVER DSP	-	-	OPTIONAL	OPTIONAL
FUSION APOLLO GOLD DSP	-	OPTIONAL	OPTIONAL	-
FUSION APOLLO PLATINUM DSP (SANPAN)	STANDARD	-	-	-
FUSION APOLLO PLATINUM DSP	-	OPTIONAL	OPTIONAL	-
JL GODFREY EXTREME SOUND (GXS)	OPTIONAL	OPTIONAL	OPTIONAL	-

*ALL SANPAN PACKAGES HAVE (4) 7.7" SPEAKERS, ANY ADDITIONAL BOW OR STERN ARE 6.5" SWEETWATER XPERIENCE HAS FUSION HEAD UNIT & 2 SPEAKERS STANDARD, 2286 SBX HAS 4 SPEAKERS STANDARD



FULL-SPECTRUM RGB COLOR LIGHTING PACKAGE

- Under-Seat Mood Lights
- Courtesy Lights
- Under-Deck Lights
- Underwater Lights
- Cup Holders

C-SEATING
CO-CAPTAIN'S CHAIR
SANPAN - AQUAPATIO
MONACO - SWEETWATER



STANDARD C-SEATING

REPLACE PORT-SIDE SOFA OR LOUNGE WITH ADDITIONAL CAPTAIN'S CHAIR

D-SEATING
DUAL CAPTAIN'S CHAIR
MONACO - SWEETWATER



STANDARD D-SEATING

REPLACE PORT-SIDE CHAISE LOUNGE WITH TWO CAPTAIN'S CHAIRS

P-SEATING
LARGE PIT SEATING
SWEETWATER



STANDARD P-SEATING

LONGER STERN PIT BENCH WITH CHANGING ROOM IN CHAISE AND SMALLER AFT DECK LID


EXTENDED DECK
OPTIONS AVAILABLE
MONACO














STANDARD EXTENDED DECK










EXTENDED STERN PLATFORM PORT & STARBOARD




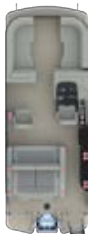






MODEL DESIGNATOR KEY

BF = Bow Fish	F = 4 Point Fish	SDB = Sundeck Slide w/ MT Bar
C = Cruise	FS = Fish Stern w/ Bow Sofas	SDE = Sundeck Entertainer
C4 = Cruise w/ 4 Gates	H = Handicap Accessible 	SFL = Single Flip Lounge
CBE = Center Bar Entertainer	MT = Midship Table	UL = Ultra Lounge
DFL = Dual Flip Lounge	RL = Rear Lounge	ULC = Ultra Lounge w/ Co-Captain's Seating
DFLC = Dual Flip Lounge w/ Co-Captain's Seating	SB = Split Bench	ULW = Ultra Lounge Windshield
DFLW = Dual Flip Lounge Windshield	SBC = Split Bench w/ Co-Captain's Seating	X = Xperience Models
DT = Dinette Table	SBW = Split Bench Windshield	
	SD = Sundeck Slide w/ SB Layout	


SPECIFICATIONS










											
SANPAN	2300 SBC	2300 ULC	2500 DFLC	2500 DFLW	2500 SBC	2500 SBW	2500 ULC	2500 ULW	2700 DFL	2700 DFLC	2700 DFLW
LOA/Deck	23' 9" / 21' 6"	23' 9" / 21' 6"	25' 10" / 23' 6"	25' 10" / 23' 6"	25' 10" / 23' 6"	25' 10" / 23' 6"	25' 10" / 23' 6"	25' 10" / 23' 6"	28' 2" / 25' 6"	28' 2" / 25' 6"	28' 2" / 25' 6"
Pontoon Length	22' 4"	22' 4"	24' 2"	24' 2"	24' 2"	24' 2"	24' 2"	24' 2"	26' 6"	26' 6"	26' 6"
Beam	8' 6"	8' 6"	8' 6"	8' 6"	8' 6"	8' 6"	8' 6"	8' 6"	8' 6"	8' 6"	8' 6"
Pontoon Diameter	27" GTP	27" GTP	27" GTP	27" GTP	27" GTP	27" GTP	27" GTP	≥27" GTP	27" GTP	27" GTP	27" GTP
Fuel Capacity (gal)	45	45	45	45	45	45	45	45	45	45	45

										
SANPAN	2700 SBC	2700 SBW	2700 ULC	2700 ULW	2700 SB TWIN	2700 SBW TWIN	2700 ULC TWIN	2700 ULW TWIN	XP	250 XP
LOA/Deck	28' 2" / 25' 6"	28' 2" / 25' 6"	28' 2" / 25' 6"	28' 2" / 25' 6"	27' 4" / 27"	27' 4" / 27"	27' 4" / 27"	27' 4" / 27"	LOA/Deck	26' 10"
Pontoon Length	26' 6"	26' 6"	26' 6"	26' 6"	26' 11"	26' 11"	26' 11"	26' 11"	Pontoon Length	24' 6"
Beam	8' 6"	8' 6"	8' 6"	8' 6"	8' 6"	8' 6"	8' 6"	8' 6"	Beam	8' 6"
Pontoon Diameter	27" GTP	27" GTP	27" GTP	27" GTP	29" iMPACT+	29" iMPACT+	29" iMPACT+	29" iMPACT+	Pontoon Diameter	29" iMPACT+
Fuel Capacity (gal)	45	45	45	45	121	121	121	121	Fuel Capacity (gal)	61










											
AQUAPATIO	215 SBC	235 SB	235 SBC	235 ULC	235 DFLC	235 MT	235 SBW	235 ULW	255 SBC	255 SBH	255 ULC
LOA/Deck	22 / 19' 6"	23' 9" / 21' 6"	23' 9" / 21' 6"	23' 9" / 21' 6"	23' 9" / 21' 6"	23' 9" / 21' 6"	23' 9" / 21' 6"	23' 9" / 21' 6"	25' 10" / 23' 6"	25' 10" / 23' 6"	25' 10" / 23' 6"
Pontoon Length	20' 4"	22' 4"	22' 4"	22' 4"	22' 4"	22' 4"	22' 4"	22' 4"	24' 2"	24' 2"	24' 2"
Beam	8' 6"	8' 6"	8' 6"	8' 6"	8' 6"	8' 6"	8' 6"	8' 6"	8' 6"	8' 6"	8' 6"
Pontoon Diameter	27" GTP	27" GTP	27" GTP	27" GTP	27" GTP	27" GTP	27" GTP	27" GTP	27" GTP	27" GTP	27" GTP
Fuel Capacity (gal)	45	45	45	45	45	45	45	45	45	45	45

SPECIFICATIONS












											
AQUAPATIO	255 SBW	255 SDC	255 ULW	255 DFL	255 MT	255 SDE	255 DFLW	275 CBE	275 DFL	256 SBC TWIN	256 UL TWIN
LOA/Deck	25' 10" / 23' 6"	25' 10" / 23' 6"	25' 10" / 23' 6"	25' 10" / 23' 6"	25' 10" / 23' 6"	25' 10" / 23' 6"	25' 10" / 23' 6"	26' 10" / 24' 6"	26' 10" / 24' 6"	25' 8" / 25' 4"	25' 8" / 25' 4"
Pontoon Length	24' 2"	24' 2"	24' 2"	24' 2"	24' 2"	24' 2"	24' 2"	26' 5"	26' 5"	25' 3"	25' 3"
Beam	8' 6"	8' 6"	8' 6"	8' 6"	8' 6"	8' 6"	8' 6"	8' 6"	8' 6"	8' 6"	8' 6"
Pontoon Diameter	27" GTP	29" iMPACT+	27" GTP	27" GTP	27" GTP	29" iMPACT+	27" GTP	27" GTP	27" GTP	29" iMPACT+	29" iMPACT+
Fuel Capacity (gal)	45	61	45	45	61	61	45	45	45	121	121


											
AQUAPATIO	256 SBW TWIN	256 ULW TWIN		MONACO	195 C	215 C	215 SB	235 C	235 DFL	235 FS	235 MT
LOA/Deck	25' 8" / 25' 4"	25' 8" / 25' 4"		LOA/Deck	19' 11" / 18'	21' 11" / 20'	21' 11" / 20'	23' 11" / 22"	23' 11" / 22"	23' 11" / 22"	23' 11" / 22"
Pontoon Length	25' 3"	25' 3"		Pontoon Length	18' 4"	20' 4"	20' 4"	22' 4"	22' 4"	22' 4"	22' 4"
Beam	8' 6"	8' 6"		Beam	8' 6"	8' 6"	8' 6"	8' 6"	8' 6"	8' 6"	8' 6"
Pontoon Diameter	29" iMPACT+	29" iMPACT+		Pontoon Diameter	25" 2 Tube	25" 2 Tube	25" 2 Tube	25" 2 Tube	25" 2 Tube	25" 2 Tube	25" 2 Tube
Fuel Capacity (gal)	121	121		Fuel Capacity (gal)	30	30	30	30	30	30	30

											
MONACO	235 RL	235 SB	235 SD	235 SDB	235 SFL	255 C	255 DFL	255 FS	255 MT	255 RL	255 SB
LOA/Deck	23' 11" / 22"	23' 11" / 22"	23' 11" / 22"	23' 11" / 22"	23' 11" / 22"	25' 9" / 24"	25' 9" / 24"	25' 9" / 24"	25' 9" / 24"	25' 9" / 24"	25' 9" / 24"
Pontoon Length	22' 4"	22' 4"	22' 4"	22' 4"	22' 4"	24' 2"	24' 2"	24' 2"	24' 2"	24' 2"	24' 2"
Beam	8' 6"	8' 6"	8' 6"	8' 6"	8' 6"	8' 6"	8' 6"	8' 6"	8' 6"	8' 6"	8' 6"
Pontoon Diameter	25" 2 Tube	25" 2 Tube	29" iMPACT+	29" iMPACT+	25" 2 Tube	27" 2 Tube	27" 2 Tube	27" 2 Tube	27" 2 Tube	27" 2 Tube	27" 2 Tube
Fuel Capacity (gal)	30	30	30	30	30	30	30	30	30	30	30












											
MONACO	255 SD	255 SDB	255 SFL		SWEETWATER	1886 C	2086 BF	2086 C	2086 F	2086 SB	2186 SB
LOA/Deck	25' 9" / 24"	25' 9" / 24"	25' 9" / 24"		LOA/Deck	19' 11" / 18"	20' 11" / 19"	20' 11" / 19"	20' 11" / 19"	20' 11" / 19"	21' 11" / 20'
Pontoon Length	24' 2"	24' 2"	24' 2"		Pontoon Length	18' 4"	19' 4"	19' 4"	19' 4"	19' 4"	20' 4"
Beam	8' 6"	8' 6"	8' 6"		Beam	8' 6"	8' 6"	8' 6"	8' 6"	8' 6"	8' 6"
Pontoon Diameter	27" 2 Tube	27" 2 Tube	27" 2 Tube		Pontoon Diameter	25" 2 Tube	25" 2 Tube	25" 2 Tube	25" 2 Tube	25" 2 Tube	25" 2 Tube
Fuel Capacity (gal)	30	30	30		Fuel Capacity (gal)	30	30	30	30	30	30

SPECIFICATIONS



											
SWEETWATER	2186 C	2186 C4	2186 C4H ♿	2186 F	2186 FS	2286 MT	2286 BF	2286 C	2286 FS	2286 F	2286 SB
LOA/Deck	21' 11" / 20'	21' 11" / 20'	21' 11" / 20'	21' 11" / 20'	21' 11" / 20'	22' 11" / 21'	22' 11" / 21'	22' 11" / 21'	22' 11" / 21'	22' 11" / 21'	22' 11" / 21'
Pontoon Length	20' 4"	20' 4"	20' 4"	20' 4"	20' 4"	21' 4"	21' 4"	21' 4"	21' 4"	21' 4"	21' 4"
Beam	8' 6"	8' 6"	8' 6"	8' 6"	8' 6"	8' 6"	8' 6"	8' 6"	8' 6"	8' 6"	8' 6"
Pontoon Diameter	25" 2 Tube	25" 2 Tube	25" 2 Tube	25" 2 Tube	25" 2 Tube	25" 2 Tube	25" 2 Tube	25" 2 Tube	25" 2 Tube	25" 2 Tube	25" 2 Tube
Fuel Capacity (gal)	30	30	30	30	30	30	30	30	30	30	30

											
SWEETWATER	2286 SFL	2386 C	2386 C4	2386 DT	2386 FS	2386 MT	2386 SB	2486 C	2486 DT	2486 SB	2486 SFL
LOA/Deck	22' 11" / 21'	23' 11" / 22'	23' 11" / 22'	23' 11" / 22'	23' 11" / 22'	23' 11" / 22'	23' 11" / 22'	24' 11" / 23'	24' 11" / 23'	24' 11" / 23'	24' 11" / 23'
Pontoon Length	21' 4"	22' 4"	22' 4"	22' 4"	22' 4"	22' 4"	22' 4"	23' 4"	23' 4"	23' 4"	23' 4"
Beam	8' 6"	8' 6"	8' 6"	8' 6"	8' 6"	8' 6"	8' 6"	8' 6"	8' 6"	8' 6"	8' 6"
Pontoon Diameter	25" 2 Tube	25" 2 Tube	25" 2 Tube	25" 2 Tube	25" 2 Tube	25" 2 Tube	25" 2 Tube	25" 2 Tube	25" 2 Tube	25" 2 Tube	25" 2 Tube
Fuel Capacity (gal)	30	30	30	30	30	30	30	30	30	30	30

SWEETWATER XPERIENCE

											
SWEETWATER XPERIENCE	1680 CX	1680 FX	1880 CX	1880 FX	2080 CX	1886 CX	1886 FX	2086 BFX	2086 CX	2086 FX	2286 BFX
LOA/Deck	17' 5" / 16'	17' 5" / 16'	19' 11" / 18"	19' 11" / 18"	20' 11" / 19"	19' 11" / 18"	19' 11" / 18"	20' 11" / 19"	20' 11" / 19"	20' 11" / 19"	22' 11" / 21"
Pontoon Length	16' 4"	16' 4"	18' 4"	18' 4"	19' 4"	18' 4"	18' 4"	19' 4"	19' 4"	19' 4"	21' 4"
Beam	8'	8'	8'	8'	8'	8' 6"	8' 6"	8' 6"	8' 6"	8' 6"	8' 6"
Pontoon Diameter	23" 2 Tube	23" 2 Tube	23" 2 Tube	23" 2 Tube	23" 2 Tube	25" 2 Tube	25" 2 Tube	25" 2 Tube	25" 2 Tube	25" 2 Tube	25" 2 Tube
Fuel Capacity (gal)	19	19	19	19	19	19	19	19	19	19	19

SWEETWATER XPERIENCE

		
SWEETWATER XPERIENCE	2286 FX	2286 SBX
LOA/Deck	22' 11" / 21"	22' 11" / 21"
Pontoon Length	21' 4"	21' 4"
Beam	8' 6"	8' 6"
Pontoon Diameter	25" 2 Tube	25" 2 Tube
Fuel Capacity (gal)	19	19

WARRANTY & IMPORTANT NOTICES



LIFETIME STRUCTURAL WARRANTY

Limited Lifetime coverage against structural failure of all pontoon tubes, StrataTech Chassis (under-deck structure), and gates. Free of charge for materials and labor.

LIFETIME MARINEDECK PTP DECK PANELS

Transferable Limited Lifetime coverage to repair or replace any Marine Deck PTP deck panels and related PTP products free of charge for materials and labor.

10 YEAR FLOORING & CANOPY FABRICS

Carpet, canopy fabric and canopy frames warranted free of charge for materials and labor.

10 YEAR FURNITURE & UPHOLSTERY

Foam seats and vinyl upholstery warranted free of charge for materials and labor.

5 YEAR ELECTRICAL & 10 YEAR COMPONENTS

5 year coverage of electrical, electronics, and hydraulics. 10 year coverage of all other factory installed components.

UPDATES

Boats depicted in this brochure may feature parts and accessories that are not standard features of the base model of the boat they accompany. All performance and/or feature and benefit claims are based upon data available at time of printing. All specifications, claims and information contained in this brochure are based upon current knowledge and printed material available at time of publication. Specifications, and descriptions are subject to change without notice, and Godfrey assumes no responsibility for changes in pricing or specifications. Godfrey assumes no responsibility for any inaccuracies, or omissions in this brochure.

COMPANY DETAILS

GODFREY MARINE
4500 Middlebury St, Elkhart, IN 46516
United States of America

Keep in touch with Godfrey Pontoon Boats
www.godfreypontoonboats.com



DIGITAL BROCHURE



Scan To Access
Digital Brochure

