



## Standard Features

- Powder-Coated Steel Chassis
- 2,000 lb Tongue Jack
- Torsion Axle Suspension with Electric Brakes
- 15" Alloy Wheel with All-Terrain Tires (5-Year Manuf. Warranty)
- 15" Steel Spare Wheel with All-Terrain Tire
- Powder-Coated Gravel Guards
- Quad Stabilizer Jacks
- Laser Cut, Powder-Coated Steel Skeleton
- Kynar-Painted Aluminum Composite Panels (Aluminum Alloy ASTM B 209)
- Rear Hatch for Access & Ventilation
- Pop-Up Roof with Stainless Steel Scissor Hinge
- Recycled Ripstop Polyester Tent Side with Six Mesh Windows
- Six Acrylic, Insulated Windows with Screens and Shades
- Roof Tracks for Rack Options
- Thule ProBar EVO 175 Adjustable Load Bars
- Rear Ladder Steps to Roof Storage
- Large 8ft Awning
- 20 Gal Fresh Water Tank
- 22 Gal Gray Water Tank
- Exterior Hot and Cold Shower
- Liquid Propane (2x 20lb) Tanks with Cover
- LED Exterior Lighting
- Solar Input Pre-Wired
- City Water Inlet
- License Plate Bracket with LED Light
- 12V Accessory Outlet (Exterior)
- Built in TAXA Bottle Opener

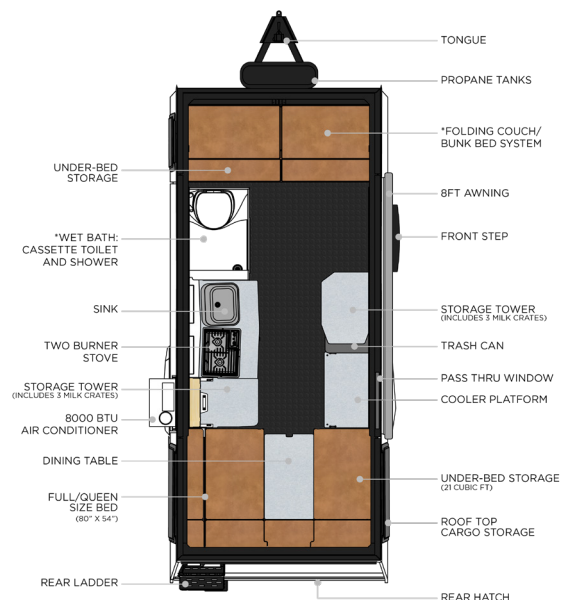
- 1" Plywood Deck with ABS Laminate
- Non-Slip Seamless Nickel Patterned Flooring
- 8,000 BTU Window Air Conditioner (115V) on Lockable Sliding Base with Hinged Exterior Cover
- Baltic-Birch Plywood Kitchen with Milk Crate Drawer (New)
- High-Pressure Laminate Countertop
- HDPE Countertop Behind Sink & Stove (New)
- 2-Burner Stove with Hinged Lid (New)
- Sink with Hinged Lid (New)
- Truma® Combi Eco Furnace & Water Heater System
- 2 Storage Towers with Trio of Milk Crate Drawers (New)
- Raised Cooler Platform
- 16 Gal Trash Can
- Rotating/Nesting Cafe Table Top (33" x 19") with Aluminum Pedestal
- Full/Queen Size Bed with Underbed Storage (21 cubic feet)
- LED Interior Lighting with Reading Light
- 12V Digital Voltmeter
- 12V Accessory Outlets (Interior)
- 12V USB Outlets
- Battery Compartment (Fits 2 Group 24 or Group 27 Batteries. Batteries not included.)
- Entry Screen Door

## Options

- Folding Couch/Bunk System (with bunk net)
- Wet Bath: Cassette Toilet & Shower
- THULE® / TEPUI® 3-Person Rooftop Tent

## Specifications

Exterior Length	<b>19'</b>
Exterior Width (+fender)	<b>7' 6"</b>
Exterior Height (closed)	<b>6' 9"</b>
Exterior Height (open)	<b>9'10"</b>
Interior Width	<b>6' 10"</b>
Interior Height (closed)	<b>4' 7"</b>
Interior Height (open)	<b>5' 11" to 7' 10"</b>
Bed Dimensions	<b>80"x54"</b>
Bunk Bed (top)	<b>76"x22"</b>
Bunk Bed (bottom)	<b>77"x26"</b>
Fresh Water Tank	<b>20 gal</b>
Gray Water Tank	<b>22 gal</b>
Tires	<b>235/75R15</b>
Ground Clearance	<b>11"</b>
Tongue Height	<b>18"</b>
Tongue Weight**	<b>435 lbs</b>
Dry Weight***	<b>2,972 lbs</b>
GVWR	<b>4,200 lbs</b>
GAWR	<b>4,000 lbs</b>
Cargo Capacity	<b>1,028 lbs</b>
Habitat Capacity	<b>4 Adults</b>



\*Optional features

\*\*Depends on loading of trailer

\*\*\*Dry weight includes standard features only. Dry weight is measured with empty propane tanks, fresh water tank, and gray water tank. Battery not included.

# Cricket 2021



**TAXA**  
OUTDOORS

**MOBILE HUMAN  
HABITATS**

## Standard Features

- Powder-Coated Steel Chassis
- 2,000 lb Tongue Jack
- Torsion Axle Suspension with Electric Brakes
- 15" Alloy Wheel with All-Terrain Tires (5-Year Manf. Warranty)
- 15" Steel Spare Wheel with All-Terrain Tire
- Powder-Coated Gravel Guards
- Quad Stabilizer Jacks
- Laser Cut, Aluminum Skeleton
- Kynar-Painted Aluminum Composite Panels (Aluminum Alloy ASTM B 209)
- Rear Hatch for Access & Ventilation
- Pop-Up Roof with Steel Hinge
- Recycled Ripstop Polyester Tent Side with Five Mesh Windows
- Five Acrylic, Insulated Windows with Screens and Shades (New Window Added)
- 12V Roof Exhaust Fan
- Roof Tracks for Rack Options
- 15 Gal Fresh Water Tank
- 16 Gal Gray Water Tank
- Exterior Hot and Cold Shower
- Liquid Propane (2x 20lb) Tanks with Cover
- LED Exterior Lighting
- Pre-Wired Solar Input
- City Water Inlet
- License Plate Bracket with LED Light
- 12V Accessory Outlet (Exterior)
- Built in TAXA Bottle Opener

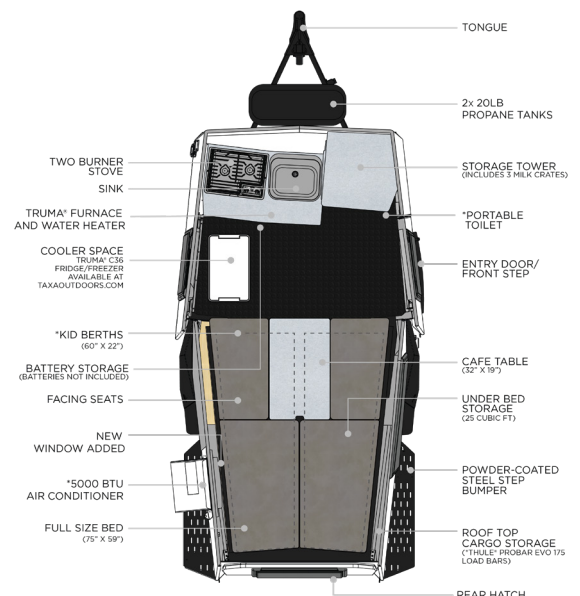
- 1" Plywood Deck with ABS Laminate
- Non-Slip Seamless Nickel Patterned Flooring
- Baltic-Birch Plywood Kitchen with Milk Crate Drawer (New)
- High-Pressure Laminate Countertop
- HDPE Countertop Behind Sink & Stove (New)
- 2-Burner Stove with Hinged Lid (New)
- Sink with Hinged Lid (New)
- Truma® Combi Eco Furnace & Water Heater System
- Storage Tower with Trio of Milk Crate Drawers (New)
- Rotating/Nesting Cafe Table Top (32" x 19") with Aluminum Pedestal
- Full Size Bed with Underbed Storage (25 cubic feet)
- LED Interior Lighting
- 12V Digital Voltmeter
- 12V Accessory Outlets (Interior)
- 12V USB Outlets
- Battery Compartment (Fits 2 Group 24 or Group 27 Batteries. Batteries not included.)

## Options

- Hanging Kid's Berth(s) (130lbs Max Capacity)
- THULE® ProBar EVO 175 Adjustable Load Bars
- Soft Goods Package (THULE®/TEPUI® 6' Awning, Entry Screen Door, Shower Tent)
- Portable Toilet
- 5,000 BTU Driver-Side Window Air Conditioner (New Placement)

## Specifications

Exterior Length	<b>15'</b>
Exterior Width	<b>6'7"</b>
Exterior Height(closed)	<b>6'11"</b>
Exterior Height(open)	<b>9'</b>
Interior Width	<b>5'3"</b> (max)
Interior Height(closed)	<b>4'2"</b>
Interior Height(open)	<b>4'2" to 6'10"</b>
Bed Dimensions	<b>75"x59"</b> (max width)
Kids Berth(s)	<b>60"x22"</b> (130lb max)
Fresh Water Tank	<b>15 gal</b>
Grey Water Tank	<b>16 gal</b>
Tires	<b>235/75R15</b>
Ground Clearance	<b>11"</b>
Tongue Height	<b>20"</b>
Tongue Weight**	<b>245 lbs</b>
Dry Weight***	<b>1,753 lbs</b>
GVWR	<b>2,700 lbs</b>
GAWR	<b>3,500 lbs</b>
Cargo Capacity	<b>900 lbs</b>
Habitat Capacity	<b>2 Adults &amp; 2 Kids (&gt;5')</b>



\*Optional features

\*\*Depends on loading of trailer

\*\*\*Dry weight includes standard features only. Dry weight is measured with empty propane tanks, empty fresh water tank, and empty gray water tank. Battery not included.

# Tiger Moth

2021



**TAXA**  
OUTDOORS  
MOBILE HUMAN HABITATS

## Standard Features

- Powder-Coated Steel Chassis
- 2,000 lb Tongue Jack
- Torsion Axle Suspension with Electric Brakes
- 15" Steel Wheel with All-Terrain Tires (5 year Manuf. Warranty)
- 15" Steel Spare Wheel with All-Terrain Tire
- Powder-Coated Gravel Guard
- Dual Stabilizer Jacks
- Laser Cut, Powder Coated Aluminum Skeleton
- Kynar-Painted Aluminum Composite Panels (Aluminum Alloy ASTM B 209)
- Four Acrylic, Insulated Windows with Screens and Shades (New Window Added)
- 12V Roof Exhaust Fan
- Roof Tracks for Rack Options
- 200 lb Weight Capacity Cargo Deck
- Front Cargo Step
- 5 Gal NATO Can for Fresh Water & Holder
- LED Exterior Light
- Solar Input Pre-Wired
- License Plate Bracket with LED Light
- 12V Accessory Outlet (Exterior)

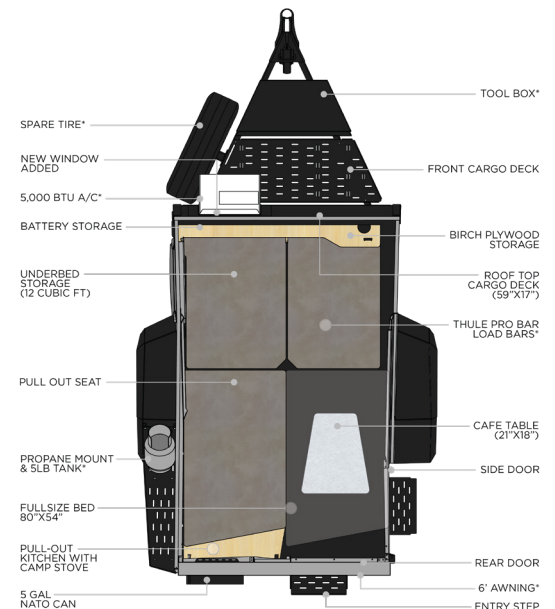
- 3/4" Plywood Deck with ABS Laminate on Both Sides
- Baltic Birch Plywood Slide Out Camp Kitchen with Portable Two-Burner Stove
- Cafe Table Top (21"x18") with Aluminum Pedestal
- Full Size Bed and Couch
- Under Bed Storage (12 cu. ft.)
- Birch Plywood Cabinetry
- LED Interior Lighting with Reading Light
- 12V Digital Voltmeter
- 12V Accessory Outlet (Interior)
- 12V USB Outlet
- Battery Compartment (Fits 2 Group 24 Batteries. Batteries not included.)

## Options

- THULE® ProBar EVO 175 Adjustable Load Bars
- Tongue Tool Box
- Soft Goods Package (THULE®/TEPUI® 6' Awning with Mosquito Room, Mesh Screen Doors for Side + Rear)
- THULE®/TEPUI® 3-Person Rooftop Tent
- 5,000 BTU Front Window AC (New Placement)
- 5 lb Propane Tank and Mount

## Specifications

Exterior Length	<b>12' 10"</b>
Exterior Width	<b>6'7"</b>
Exterior Height	<b>6'8"</b> (7' w/ Awning)
Interior Width	<b>4'9"</b>
Interior Height	<b>4'7" to 3'9"</b>
Bed Dimensions	<b>80"x54"</b>
Fresh Water NATO Can	<b>5 gal</b>
Tires	<b>235/75R15</b>
Ground Clearance	<b>15"</b>
Tongue Height	<b>20"</b>
Tongue Weight**	<b>127 lbs</b>
Dry Weight***	<b>1,310 lbs</b>
GVWR	<b>2,100 lbs</b>
GAWR	<b>2,000 lbs</b>
Cargo Capacity	<b>890 lbs</b>
Habitat Capacity	<b>2 Adults</b>



\*Optional features

\*\*Depends on loading of trailer

\*\*\*Dry weight includes standard features only. Dry weight is measured with empty propane tank and NATO can.. Battery not included.



## Standard Features

- Powder-Coated Steel Chassis
- 1,500 lb Tongue Jack
- Timbren Axle-Less Suspension with Electric Brakes
- 16" Alloy Wheel with All-Terrain Tires (60,000 Mile Manuf. Warranty)
- 16" Alloy Spare Wheel with All-Terrain Tire
- Powder-Coated Gravel Guards
- Quad Stabilizer Jacks (Heavy Duty)
- Laser Cut, Powder-Coated Steel Skeleton
- Kynar-Painted Aluminum Composite Panels (Aluminum Alloy ASTM B 209)
- Rear Hatch for Access & Ventilation
- Pop-Up Roof with Stainless Steel Scissor Hinge
- Recycled Ripstop Polyester Tent Side with Four Mesh Windows
- Six Acrylic, Insulated Windows with Screens and Shades
- Roof Tracks for Rack Options
- Thule ProBar EVO 175 Adjustable Load Bars
- Rear Ladder Steps to Roof Storage
- Large 8ft Awning
- 20 Gal Fresh Water Tank
- 22 Gal Gray Water Tanks
- Exterior Hot and Cold Shower
- Liquid Propane (2x 20lb) Tanks with Cover
- LED Exterior Lighting
- Pre-Wired Solar Input
- City Water Inlet
- License Plate Bracket with LED Light
- 12V Accessory Outlet (Exterior)
- Built in TAXA Bottle Opener

- 1" Plywood Deck w/ ABS Laminate
- Non-Slip Seamless Nickel Patterned Flooring
- 8,000 BTU Window Air Conditioner (115V) on Lockable Sliding Base with-Hinged Exterior Cover
- Baltic-Birch Plywood Kitchen with Milk Crate Drawer (New)
- High-Pressure Laminate Countertop
- HDPE Countertop Behind Sink & Stove (New)
- 2-Burner Stove with Hinged Lid (New)
- Sink with Hinged Lid (New)
- Truma® Combi Eco Furnace & Water Heater System
- 2 Storage Towers with Trio of Milk Crate Drawers (New)
- Raised Cooler or 12V Refrigerator Platform
- 16 Gal Trash Can
- Rotating/Nesting Cafe Table Top (33" x 19") with Aluminum Pedestal
- Full/Queen Size Bed with Under Bed Storage (21 cu. ft)
- Folding Couch/Bunk System (with bunk net)
- Wet Bath: Cassette Toilet & Shower
- LED Interior Lighting with Reading Lights
- 12V Digital Voltmeter
- 12V Accessory Outlets (Interior)
- 12V USB Outlets
- Battery Compartment (Fits 2 Group 24 or Group 27 Batteries. Batteries not included.)
- Entry Screen Door

## Options

- THULE® / TEPU® 3-Person Rooftop Tent

## Specifications

Exterior Length	<b>19'</b>
Exterior Width (+fender)	<b>7' 6"</b>
Exterior Height (closed)	<b>7'</b>
Exterior Height (open)	<b>10'1"</b>
Interior Width	<b>6' 10"</b>
Interior Height (closed)	<b>4' 7"</b>
Interior Height (open)	<b>5' 11" to 7' 10"</b>
Bed Dimensions	<b>80"x54"</b>
Bunk Bed (top)	<b>76"x22"</b>
Bunk Bed (bottom)	<b>77"x26"</b>
Fresh Water Tank	<b>20 gal</b>
Gray Water Tank	<b>22 gal</b>
Tires	<b>225/75R16</b>
Ground Clearance	<b>14"</b>
Tongue Height	<b>22"</b>
Tongue Weight**	<b>510 lbs</b>
Dry Weight***	<b>3,486 lbs</b>
GVWR	<b>5,000 lbs</b>
GAWR	<b>5,200 lbs</b>
Cargo Capacity	<b>1,614 lbs</b>
Habitat Capacity	<b>4 Adults</b>

\*\*Depends on loading of trailer

\*\*\*Dry weight includes standard features only. Dry weight is measured with empty propane tanks, fresh water tank, and gray water tank. Battery not included.

## Smooth Ride • Aggressive Stance Increased Ground Clearance

### Lock 'N' Roll Hitch

The articulating Lock 'N' Roll hitch utilizes 360 degrees of rotation and 3 axis movement for maximum on-road, off-road freedom.

### Timbren 5,200 lbs Axle-Less Suspension

The axle-less suspension with a 4in lift allows you to go off road without the usual limitations associated with a thru-axle.

### Cooper Discoverer AT3 LT 225/75R16

With an unlimited time/60,000 mile warranty, the AT3LT is Cooper's On-/Off-Road All-Terrain tire designed for those who need a tire that provides the rugged durability required to keep up with their active lifestyles.

### Color Options

White or Titanium\*

\*Only available on Overland Edition



## Standard Features

- Powder-Coated Steel Chassis
- 1,500 lb Tongue Jack
- Timbren Axle-Less Suspension with Electric Brakes
- 16" Alloy Wheel with All-Terrain Tires (60,000 Mile Manuf. Warranty)
- 16" Alloy Spare Wheel with All-Terrain Tire
- Powder-Coated Gravel Guards
- Quad Stabilizer Jacks (Heavy Duty)
- Laser Cut, Aluminum Skeleton
- Kynar-Painted Aluminum Composite Panels (Aluminum Alloy ASTM B 209)
- Rear Hatch for Access & Ventilation
- Pop-Up Roof with Steel Hinge
- Recycled Ripstop Polyester Tent Side with Five Mesh Windows
- Five Acrylic, Insulated Windows with Screens and Shades (New Window Added)
- 12V Roof Exhaust Fan
- Roof Tracks for Rack Options
- THULE® ProBar EVO 175 Adjustable Load Bars
- 15 Gal Fresh Water Tank
- 16 Gal Gray Water Tank
- Exterior Hot and Cold Shower
- Liquid Propane (2x 20lb) Tanks with Cover
- LED Exterior Lighting
- Solar Input Pre-Wired
- City Water Inlet
- License Plate Bracket with LED Light
- 12V Accessory Outlet (Exterior)
- Built in TAXA Bottle Opener

- 1" Plywood Deck with ABS Laminate
- Non-Slip Seamless Nickel Patterned Flooring
- Baltic-Birch Plywood Kitchen with Milk Crate Drawer (New)
- High-Pressure Laminate Countertop
- HDPE Countertop Behind Sink & Stove (New)
- 2-Burner Stove with Hinged Lid (New)
- Sink with Hinged Lid (New)
- Truma® Combi Eco Furnace & Water Heater System
- Storage Tower with Trio of Milk Crate Drawers (New)
- Rotating/Nesting Cafe Table Top (32" x 19") with Aluminum Pedestal
- Full Size Bed with Underbed Storage (25 cubic feet)
- 2 Hanging Kid's Berths (130lbs Max Capacity)
- LED Interior Lighting
- 12V Digital Voltmeter
- 12V Accessory Outlets (Interior)
- 12V USB Outlets
- Battery Compartment (Fits 2 Group 24 or Group 27 Batteries. Batteries not included.)
- Soft Goods Package (THULE®/TEPUI® 6' Awning, Entry Screen Door, Shower Tent)
- Portable Toilet

## Options

- 5,000 BTU Driver-Side Window Air Conditioner (New Placement)

## Specifications

Exterior Length	<b>15'</b>
Exterior Width	<b>6'7"</b>
Exterior Height(closed)	<b>7'2"</b>
Exterior Height(open)	<b>9'4"</b>
Interior Width	<b>5'3"(max)</b>
Interior Height(closed)	<b>4'2"</b>
Interior Height(open)	<b>4'2" to 6'10"</b>
Bed Dimensions	<b>75"x59"(max width)</b>
Kids Berth(s)	<b>60"x22"(130lb max)</b>
Fresh Water Tank	<b>15 gal</b>
Grey Water Tank	<b>16 gal</b>
Tires	<b>225/75R16</b>
Ground Clearance	<b>14"</b>
Tongue Height	<b>24"</b>
Tongue Weight**	<b>264 lbs</b>
Dry Weight***	<b>1,978 lbs</b>
GVWR	<b>3,000 lbs</b>
GAWR	<b>3,500 lbs</b>
Cargo Capacity	<b>1022 lbs</b>
Habitat Capacity	<b>2 Adults &amp; 2 Kids (&gt;5')</b>

\*\*Depends on loading of trailer

\*\*\*Dry weight includes standard features only. Dry weight is measured with empty propane tanks, empty fresh water tank, and empty gray water tank. Battery not included.

## Smooth Ride • Aggressive Stance Increased Ground Clearance

### Lock 'N' Roll Hitch

The articulating lock n' roll hitch utilizes 360 degrees of rotation and 3 axis movement for maximum on-road, off-road freedom.

### Timbren 3,500 lbs Axle-Less Suspension

The axle-less suspension with a 4in lift allows you to go off road without the usual limitations associated with a thru-axle.

### Cooper Discoverer AT3 LT 225/75R16

With an unlimited time/60,000 mile warranty, the AT3LT is Cooper's On-/Off-Road All-Terrain tire designed for those who need a tire that provides the rugged durability required to keep up with their active lifestyles.

### Color Options

White or Titanium\*

\*Only available on Overland Edition



## Standard Features

- Powder-Coated Steel Chassis
- 1,500 lb Tongue Jack
- Timbren Axle-Less Suspension with Electric Brakes
- 16" Alloy Wheel with All-Terrain Tires (60,000 Mile Manuf. Warranty)
- 16" Alloy Spare Wheel with All-Terrain Tire
- Powder-Coated Gravel Guard
- Dual Stabilizer Jacks
- Laser Cut, Powder Coated Aluminum Skeleton
- Kynar-Painted Aluminum Composite Panels (Aluminum Alloy ASTM B 209)
- Four Acrylic, Insulated Windows with Screens and Shades (New Window Added)
- 12V Roof Exhaust Fan
- Roof Tracks for Rack Options
- THULE® ProBar EVO 175 Adjustable Load Bars
- 200 lb Weight Capacity Cargo Deck
- Front Cargo Step
- Tongue Tool Box
- 5 lb Propane Tank and Mount
- 5 Gal NATO Can for Fresh Water & Holder
- LED Exterior Light
- Pre-Wired Solar Input
- License Plate Bracket with LED Light
- 12V Accessory Outlet (Exterior)

- 3/4" Plywood Deck with ABS Laminate on Both Sides
- Baltic Birch Plywood Slide Out Camp Kitchen with Portable Two-Burner Stove
- Cafe Table Top (21"x18") with Aluminum Pedestal
- Full Size Bed and Couch
- Under Bed Storage (12 cu. ft.)
- Birch Plywood Cabinetry
- LED Interior Lighting with Reading Light
- 12V Digital Voltmeter
- 12V Accessory Outlet (Interior)
- 12V USB Outlet
- Battery Compartment (Fits 2 Group 24 Batteries. Batteries not included.)
- Soft Goods Package (THULE®/TEPUI® 6' Awning with Mosquito Room, Mesh Screen Doors for Side + Rear)

## Options

- THULE®/TEPUI® 3-Person Rooftop Tent
- 5,000 BTU Front Window AC (New Placement)

## Specifications

Exterior Length	<b>12' 9"</b>
Exterior Width	<b>6'7"</b>
Exterior Height	<b>7'(7'3" w/ Awning)</b>
Interior Width	<b>4'9"</b>
Interior Height	<b>4'7" to 3'9"</b>
Bed Dimensions	<b>80"x54"</b>
Fresh Water NATO Can	<b>5 gal</b>
Tires	<b>225/75R16</b>
Ground Clearance	<b>18"</b>
Tongue Height	<b>25"</b>
Tongue Weight**	<b>195 lbs</b>
Dry Weight***	<b>1,458 lbs</b>
GVWR	<b>2,400 lbs</b>
GAWR	<b>2,200 lbs</b>
Cargo Capacity	<b>942 lbs</b>
Habitat Capacity	<b>2 Adults</b>

\*\*Depends on loading of trailer

\*\*\*Dry weight includes standard features only. Dry weight is measured with empty propane tank and NATO can. Battery not included.

## Smooth Ride • Aggressive Stance Increased Ground Clearance

### Lock 'N' Roll Hitch

The articulating lock n' roll hitch utilizes 360 degrees of rotation and 3 axis movement for maximum on-road, off-road freedom.

### Timbren 2,200 lbs Axle-Less Suspension

The axle-less suspension with a 4in lift allows you to go off road without the usual limitations associated with a thru-axle.

### Cooper Discoverer AT3 LT 225/75R16

With an unlimited time/60,000 mile warranty, the AT3LT is Cooper's On-/Off-Road All-Terrain tire designed for those who need a tire that provides the rugged durability required to keep up with their active lifestyles.

### Color Options

White or Titanium\*

\*Only available on Overland Edition

# Woolly Bear

2021



## Standard Features

- Powder-Coated Steel Chassis
- 800 lb Swivel Tongue Jack
- Torsion Axle Suspension with Electric Brakes
- 15" Steel Wheel w/ All-Terrain Tires (5 year Manuf. Warranty)
- 15" Steel Spare Wheel and All-Terrain Tire
- Powder-Coated Gravel Guards
- Quad Stabilizer Jacks
- Powder-Coated Steel Cabinets
- Laser Cut Steel 600lb Weight Capacity Cargo Deck
- Powder-Coated Steel Adjustable Height Risers with 7.9" Extension
- Rear Accessory Hitch (Weight Rating: 350 lb)
- Lock 'N' Roll Hitch
- Battery Box (Sized for Group 24 Battery. Battery not included.)

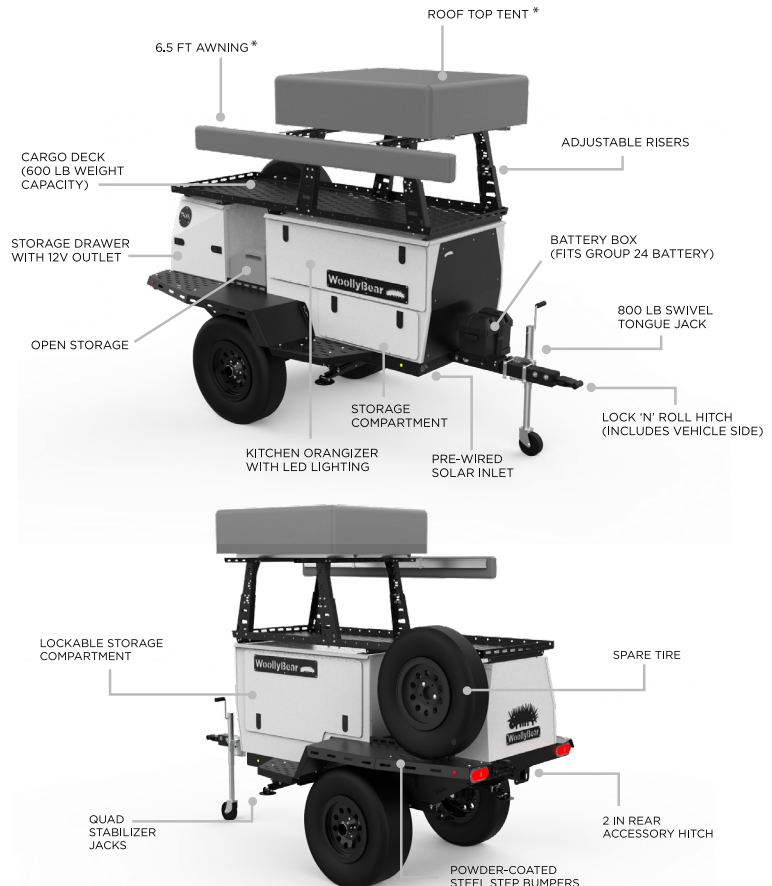
- Birch Plywood Kitchen Organizer
- Stainless Steel Countertop
- Open Storage Sized for NATO Cans
- Lockable Storage Drawer with 12V Outlet (Sized for 45 qt Cooler)
- Multiple Lockable Storage Compartments
- LED Underbody Light
- LED Cargo Area Lights
- LED Kitchen Lights
- 12V Accessory Outlets
- 12V Digital Voltmeter
- 12V USB Outlets

## Options

- 6ft Awning
- THULE® ProBar EVO 175 Adjustable Load Bars
- THULE®/TEPU!® 3-Person Rooftop Tent
- Propane Package: 5 lb Tank and Mount
- Mosquito Net Room
- Additional Adjustable Riser

## Specifications

Exterior Length	<b>10' 8"</b>
Exterior Width	<b>5'4"</b>
Exterior Height	<b>6'6"</b>
Tires	<b>235/75R15</b>
Ground Clearance	<b>12"</b>
Tongue Height	<b>21"</b>
Tongue Weight**	<b>140 lbs</b>
Dry Weight***	<b>1,270 lbs</b>
GVWR	<b>2,100 lbs</b>
GAWR	<b>2,000 lbs</b>
Cargo Capacity	<b>830 lbs</b>



\*Optional features  
 \*\*Depends on loading of trailer  
 \*\*\*Dry weight includes standard features only.