



# EMBARK



CLASS A MOTORHOME

EMBARK



ULTIMATE ELEGANCE AND LUXURY

**2+3**  
YEAR | YEAR  
WARRANTY





Embark 39T2 Shown in Chateau Interior Design with Stonewall Grey Cabinetry



Adjustable Power Driver & Passenger Seats



Bathroom with One-Piece Fiberglass Shower & Solid Surface Countertops



Standard Whirlpool® Stacked Washer & Dryer



King-Sized Pillow Top Mattress on Tilt Bed





Double Mirrored Wardrobes in Bedroom



Jayco-Exclusive Legless Dinette Table



Large Kitchen with Residential Appliances

Valid 12.3" Digital Dash & Xite™ XSG3 Infotainment System



  
[Click here to visit gallery on website](#)

## ADVENTURES AROUND EVERY BEND

Setting out on an adventure has never been more comfortable and luxurious. For a smooth and quiet ride, Embark is built on a Spartan® K1 raised-rail chassis, with a Cummins ISB turbocharged engine, Independent Front Suspension and JRIDE® Premium.



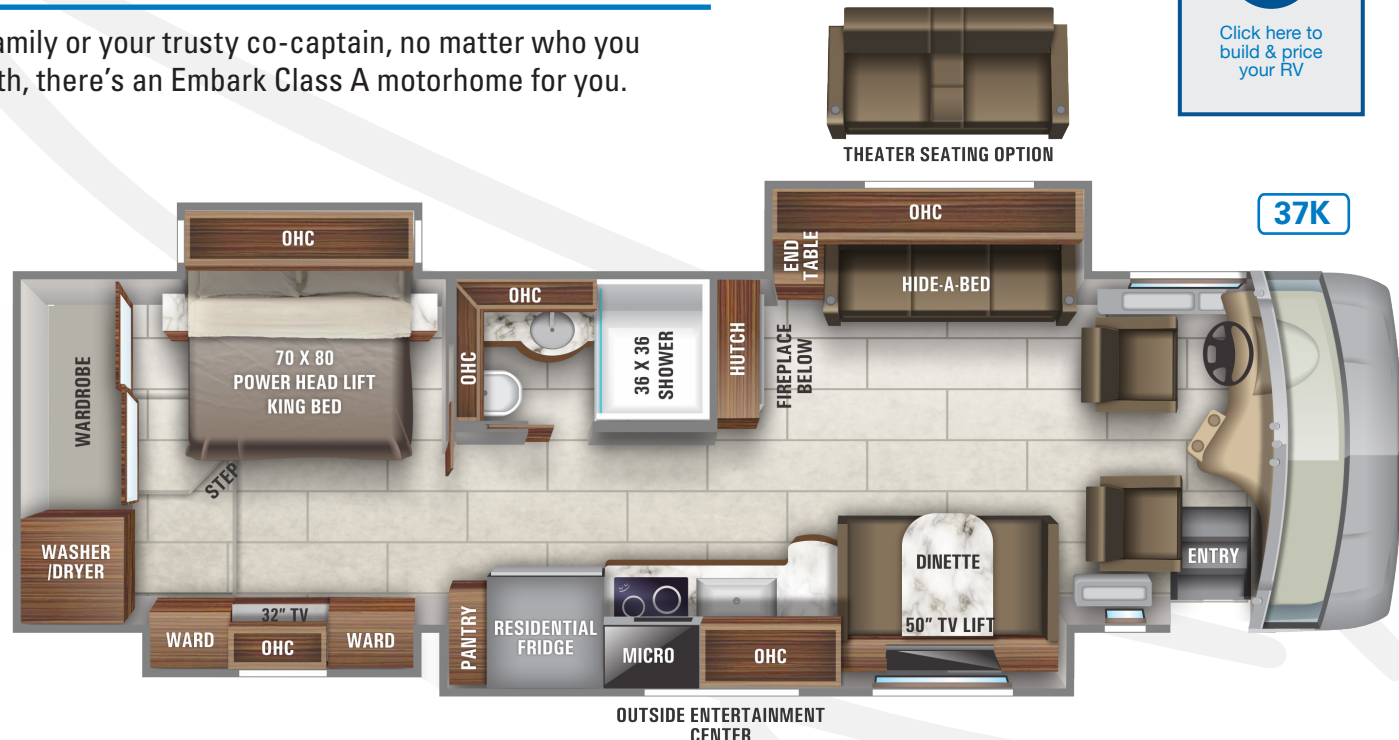
Pantry with Pull-Out Shelves



# EMBARK FLOORPLANS

Friends, family or your trusty co-captain, no matter who you travel with, there's an Embark Class A motorhome for you.

**\$**  
Click here to build & price your RV



**37K**

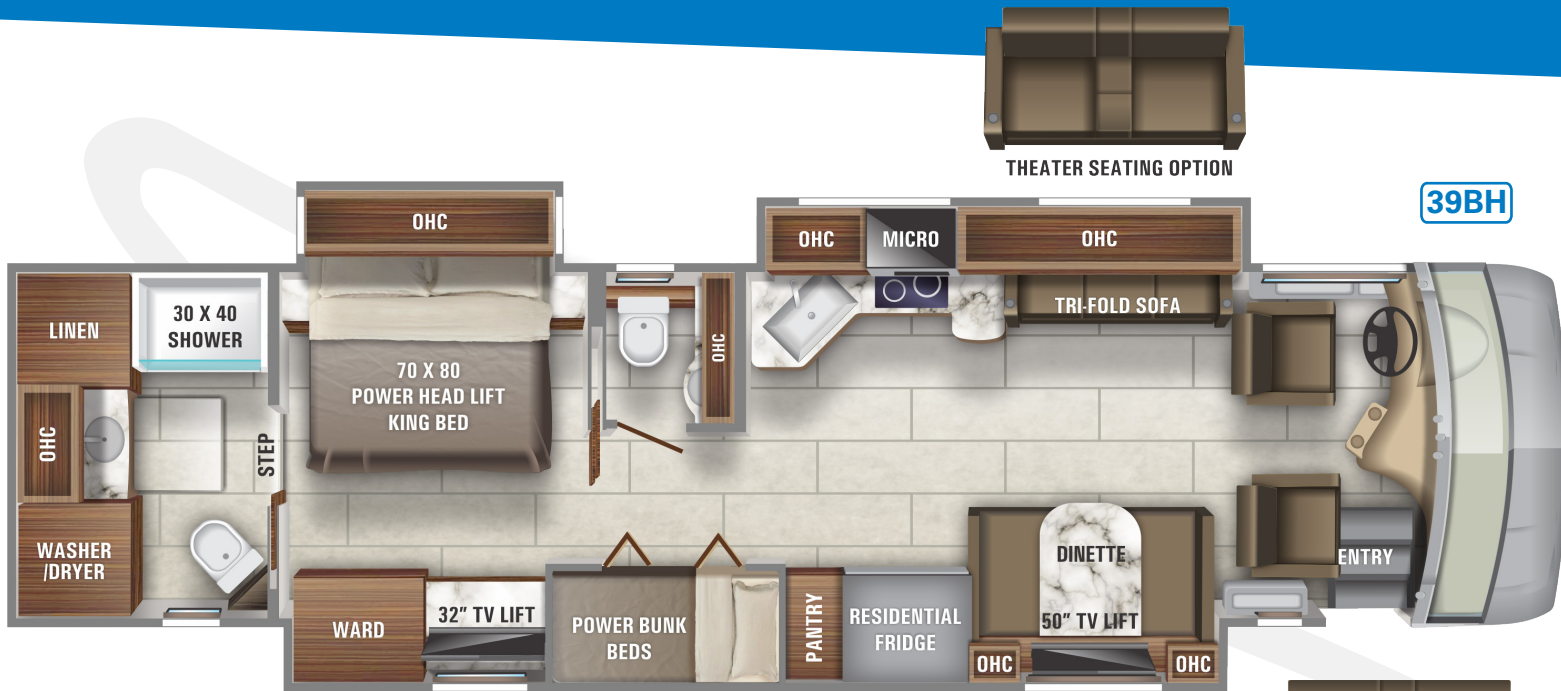
Ext. Lgth: **37' 10"** Wheelbase: **236"** GVWR: **32,600 lbs.**

## SPECS

MODEL	FLOORPLAN	EXTERIOR LENGTH	EXTERIOR WIDTH	EXTERIOR HEIGHT (WITH A/C)	INTERIOR HEIGHT	WHEEL BASE	FRESH WATER CAPACITY (GAL.)	GRAY WASTE WATER CAPACITY (GAL.)	BLACK WASTE WATER CAPACITY (GAL.)
EMBARK	37K	37' 10"	101"	12' 10"	84"	236"	100	62	41
	39BH	39' 11"	101"	12' 10"	84"	261"	100	62	41
	39T2	39' 11"	101"	12' 10"	84"	261"	100	62	41

**T**  
Click here for specification definitions





**39BH**

**\$**  
Click here to build & price your RV

Ext. Lgth: **39' 11"** Wheelbase: **261"** GVWR: **36,320 lbs.**

**OUTSIDE ENTERTAINMENT CENTER**



**THEATER SEATING OPTION**

**360°**  
Click here to view 360° tour

**\$**  
Click here to build & price your RV



**39T2**

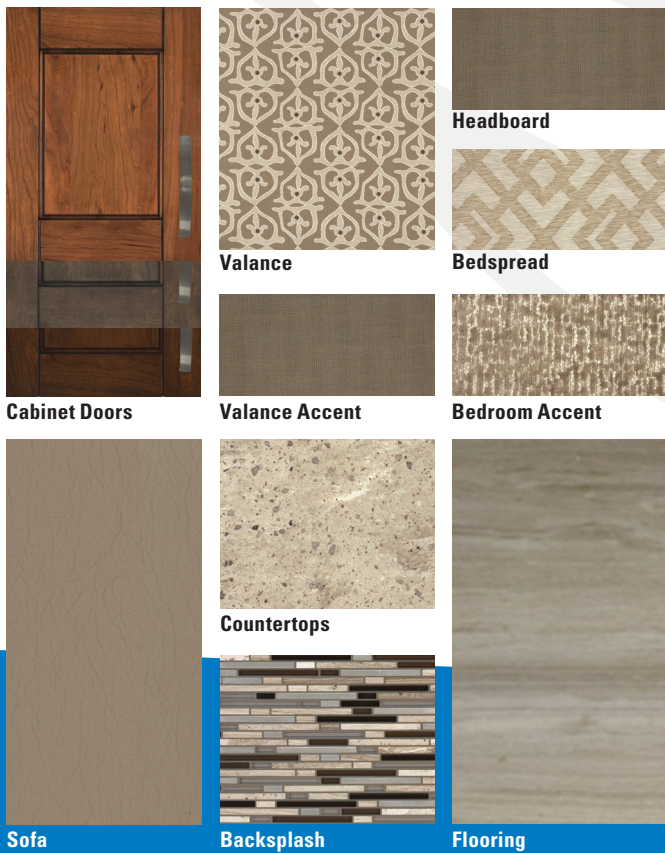
Ext. Lgth: **39' 11"** Wheelbase: **261"** GVWR: **36,320 lbs.**

**OUTSIDE ENTERTAINMENT CENTER**

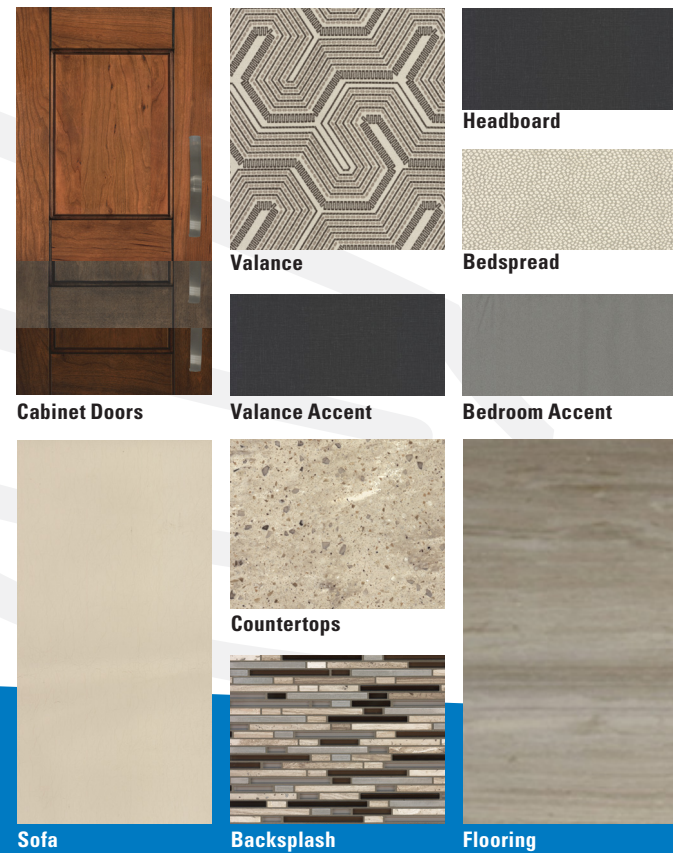


# TRUE INTERIOR DESIGN. MORE CHOICE. MINDFUL CRAFTSMANSHIP.

Say goodbye to simple RV "decor" and hello to interior design.



**CHATEAU INTERIOR DESIGN**



**MINERAL INTERIOR DESIGN**

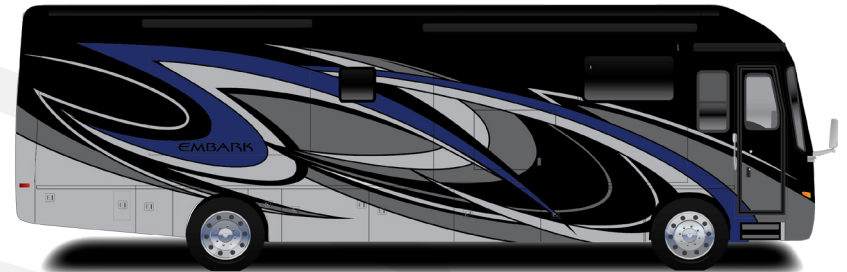


# PREMIUM EXTERIORS

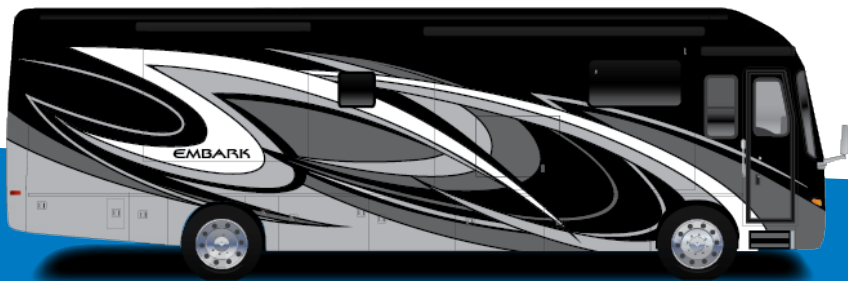
Jayco's premium full-body paint schemes are not only eye catching, but durable and easy to maintain.



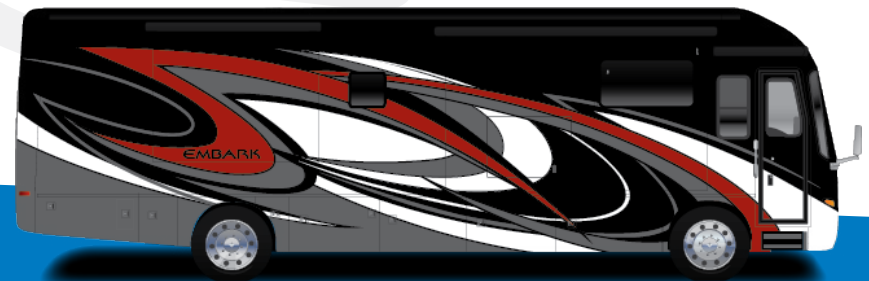
**BRAVADO FULL-BODY PAINT**



**NIGHT FLIGHT FULL-BODY PAINT**



**STARGAZER FULL-BODY PAINT**



**SUNHAZE FULL-BODY PAINT**



# MORE STANDARDS. LESS OPTIONS.

The Embark is full of features to make your next camping trip convenient, comfortable and fun.



## STANDARD CHASSIS EQUIPMENT

Spartan® K1 raised-rail chassis  
Cummins® B6.7 turbocharged 360 HP engine 800 lb. ft. torque at 1,800 RPM  
Allison® 3,000 MH 6-speed transmission  
Rear-mounted radiator  
170 amp alternator  
750 watt engine block heater  
Variable geometry turbo (VGT) engine brake  
Independent front air suspension (IFS) front axle-12,600 lb. (37K) 14,320 lb. (39BH/39T2)  
Rear axle-20,000 lb. (37K) 22,000 lb. (39BH/39T2)  
4.88 rear axle ratio  
Michelin® 275/80R 22.5" tires  
Tire pressure monitoring system (TPMS) with temperature monitoring  
Bilstein® 46mm shocks  
Equalizer™ hydraulic automatic coach leveling  
Remote air connection  
(2) 12V chassis batteries  
100 gal. fuel tank  
10 gal. DEF tank  
55 degree turning radius  
Spartan® Safehaul tow vehicle air brake system  
10,000 lb. hitch with 7/4-pin plug

## STANDARD CONSTRUCTION FEATURES

Roof: One-piece fiberglass with 3/8" plywood decking, 4" arched aluminum trusses, insulation and reflective Flexfoil® (R-24)  
Sidewalls: Vacuum-bonded, high-gloss gelcoat with R-8 bead-foam insulation  
Floors: Vacuum-bonded layers of Darco underbelly, a welded aluminum frame, R-9 bead-foam insulation, 3/8" Structurwood® and 1/4" plywood  
X-Bridge™ bracing welded into chassis frame  
Heated basement storage  
Insulated front and rear caps (R-24)  
Electric-powered slideout rooms  
Steel-reinforced front cap and windshield frame

## HEAT, A/C, POWER AND WATER EQUIPMENT

Onan® 8,000 watt diesel generator, with automatic start, on slide-out tray  
2,000 watt pure sine wave inverter with 100 amp battery charger  
(2) L16 AGM batteries (6V/390 amp hrs. ea.)  
50-amp power cord  
Surge protector transfer switch  
(3) 15,000 BTU A/C units with heat pumps [(2)15,000 BTU units with heat pumps on 37K]  
35,000 BTU furnace (37K)/ (1) 20,000 and (1) 30,000 (39BH, 39T2)

10 gal. gas/electric water heater  
Fireplace (37K only)  
24.5 gal. propane tank  
Sani-Con® Macerator holding tank dump system with manual gate valves and manual backup  
Black holding tank sprayer  
City and tank water filtration system  
Winterizing drain system

## STANDARD EXTERIOR EQUIPMENT

Power patio awning with LED lights  
Power entrance door awning with LED lights  
Slideout awnings  
Window awnings  
Frameless, dual-pane, tinted, safety-glass windows  
Grab handle and keypad system for keyless entry  
Exterior 39" LED TV on adjustable TV bracket  
Heated, remote control, side-view mirrors with integrated cameras  
Diamond Shield™ front protective film mask  
Halogen high/low beam headlights and fog lights  
Daytime running lights  
LED marker lights, turn lights, license plate light, accent lights, & docking lights  
Full-width rear mudflap  
Winegard® TRAV'LER satellite dish DIRECTV®- standard with USA option  
Winegard® TRAV'LER satellite dish Shaw TV- standard with CSA option  
Winegard® Rayzar Z1 TV antenna  
Winegard® Wi-Fi extender with 4G/LTE  
Slideout basement storage tray  
Solar power prep  
Exterior utility center  
Sikkens custom full-body paint  
LED third brake light

## COCKPIT AMENITIES

Xite™ 360° camera system that displays on digital dash screen  
Valid 12.3" digital dash with quad core graphics processor with ability to display on-board diagnostics, traditional instrument cluster, 360° camera system or Rand McNally™ GPS navigation  
Xite™ XSG3 infotainment system with navigation, Bluetooth, Sirius XM™ and AM/FM tuner  
Ultra-Vision® one-piece wrap-around tinted windshield  
Tilt and telescoping steering wheel with integrated controls for cruise, wipers, radio controls and Bluetooth phone functionality  
Power adjustable driver and passenger seats  
Powered flush stepwell cover  
Powered front sun visors and privacy shade  
Power adjustable brake and accelerator pedals

Wrapped dash with molded side consoles  
(2) dual USB ports and (2) 12V sockets for charging

## STANDARD INTERIOR EQUIPMENT

JAYCOMMAND® powered by VegaTouch (mobile app available)  
Sony® Blu-Ray® player  
50" Insignia™ LED TV  
Insignia™ sound bar  
Whirlpool® stacked washer and dryer  
Premium furniture  
Hand-laid polished porcelain floor tiles  
Recessed, 12V, LED lighting  
Decorative ceiling feature with integrated accent lighting  
Manual solar day shades and blackout night shades  
Central vacuum system  
Removable screen on entry door

## STANDARD KITCHEN EQUIPMENT

Window with slider and screen  
Whirlpool® stainless steel residential refrigerator with ice maker and water dispenser  
Induction cooktop  
1.5 cu. ft. convection microwave oven  
Solid-surface countertops with stainless-steel sink  
Fan-Tastic power exhaust fan with intake

## STANDARD BEDROOM EQUIPMENT

King-sized pillow top mattress on tilt bed  
32" Insignia™ LED TV  
Sony® Blu-Ray® player

## STANDARD BATHROOM EQUIPMENT

Solid-surface countertops with integrated sink  
One-piece fiberglass shower with skylight  
Aqua View SHOWERMISER™ water saving system  
Thetford® Aqua Magic® toilet with foot flush  
Fan-Tastic power exhaust fan with intake

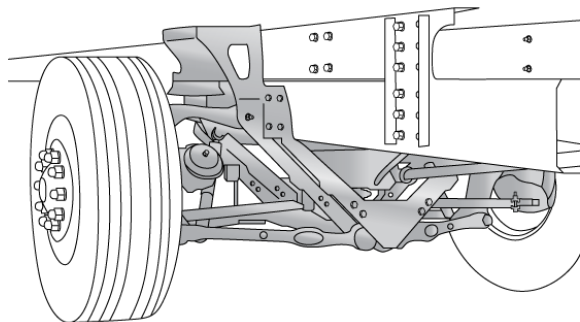
## STANDARD SAFETY EQUIPMENT

Combination carbon monoxide detector and LP gas alarm  
Porch light  
Smoke alarm

## OPTIONS

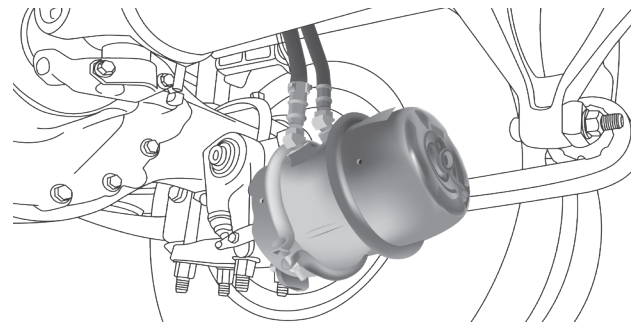
Canadian standards (CSA)  
Theater seating with power recline  
Winegard® in-motion satellite dome  
Winegard® TRAV'LER satellite dish with Dish Network®





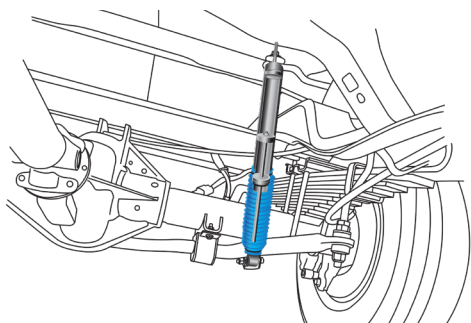
**INDEPENDENT FRONT SUSPENSION**

For more precise steering and less body-roll on turns



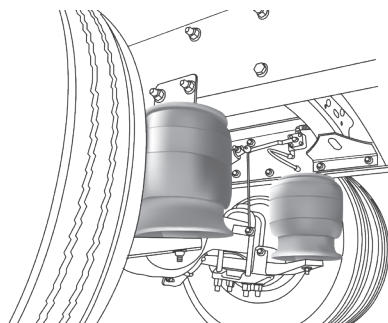
**FULL AIR BRAKES**

Deliver robust stopping power, even on grades



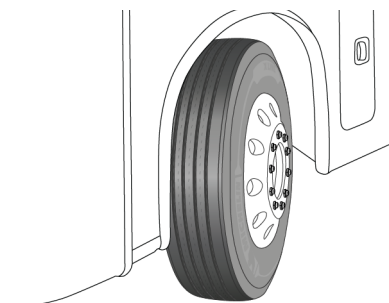
**BILSTEIN® SHOCKS**

Eliminate excessive sway and bounce



**FULL AIR SUSPENSION**

Softens ride and improves handling



**MICHELIN® XZE TIRES**

Commercial-grade tires built for long hauls and heavy loads

# RIDE & HANDLING. DEFINED.

At Jayco, we believe the journey is just as important as the destination, which is why we engineered an industry-first Ride and Handling package - Jayco exclusive JRide®. Packed with ride-enhancing upgrades, get ready for a drive that'll move you.





# THE JAYCO DIFFERENCE



**2+3**  
YEAR YEAR  
WARRANTY



[Click here to learn more!](#)

## 1 Jayco 2+3 Warranty

A quality warranty represents huge value. Of course it saves you money in case there's a manufacturer defect, but it also represents a lot more. The longer and more complete the warranty a manufacturer offers, the more confidence they have in their work - the higher quality product and more value you'll be taking home.

Jayco's warranty is the best in the RV business. The two-year limited warranty is twice as long as the industry standard, keeping you covered for two full camping seasons. Add to that the three-year limited structural warranty and you've got the most complete coverage, coverage that provides a peace of mind.



[Click here to learn more!](#)

## 2 STRONGHOLD VBL™ laminated walls

Jayco's exclusive STRONGHOLD VBL (vacuum-bond lamination) wall construction process uses vacuum bonding to combine laminated fiberglass with welded aluminum framing, metal backers, decorative interior wall panels, and fiberglass exterior siding. This super-durable structure is designed specifically for heavy use and travel while still reducing weight. Simply put, Jayco's Stronghold VBL construction lessens the chance of delamination and stands up to the elements longer.



[Click here to watch video](#)

## 3 The JRide® ride and handling package

In a motorhome, the adventure does not begin and end at the campsite; the ride to and from camp is an important part of the journey, which is why comfort is a top priority at Jayco. Improving the journey is what inspired our exclusive JRide packages, which offer a powerful blend of precise handling and renowned stability. These important additions make your trip more comfortable without the need for expensive aftermarket upgrades.





#### 4 Safety belts in every designated seating location

Everyone would agree the most precious cargo is the loved ones you travel with. Jayco installs stress-tested seatbelts in every designated seating location to ensure the safety of your entire family. In a Jayco motorhome, you won't have to put anyone at risk due to limited safety belts.

**750-lbs.**

Jayco's Overhead Bunk Capacity

**300-lbs.**

Jayco's Standard Bunk Capacity



#### 5 Unbeatable bunk ratings

Overhead bunks are a great way to add extra sleeping space without impacting the layout of a motorhome. Unfortunately, customers in competing coaches often have to be very careful about who sleeps in the overhead bunk, or what gear is stored there, due to weight limits of 350-500 lbs.

Jayco has designed our overhead bunks to hold 750 lbs.- this is 250 lbs. more than any of our competitors. In a Jayco overhead bunk, two adults can comfortably rest and relax, or you can safely read a book to your kids at night.

Jayco's superior bunk capacities extend beyond the overhead bunks, with a capacity of 300 lbs. in each standard bunk, as well.



#### 6 120" Windshield

An uninhibited view of the open road is a perk of a Class A motorhome. At Jayco, the largest windshield in the industry provides improved visibility during travel. Oversized wiper blades keep the view clear, even in the rain.



#### 7 Third brake light and backup cameras

Backing up a motorhome is unlike backing up your everyday vehicle. It can be expensive, tricky and even impossible to retrofit some motorhomes with additional safety signals or rearview cameras. At Jayco, backup cameras and third brake lights are installed on each and every motorhome. These features allow you to navigate with ease, while helping deliver you to your camping destination safely.



#### 8 Solar hookups, LED lighting

It's not only environmentally friendly, but solar hookups reduce the cost and load of electrical use in your RV at camp. More and more motorhomes are equipped with solar hookups or prepped for easy installation. LED lights are another energy saving option many RVs offer. Both solar prep and LED lights will be found on all Jayco motorhomes.



#### 9 Resale Value

Most RV owners will upgrade their rig at some point in their camping lifetime. The list of hidden value items discussed above improves the longevity of a Jayco, which increases resale value. Also, when establishing a trade-in value, motorhomes are valued by their base price only. Any optional equipment will not be included in this number. Jayco motorhomes come packed full of standard features, with very few items left to option in. By building desired options into the base price of the coach as standard features, rather than adding them as options, Jayco builds a higher resale value into their motorhomes. This leads to a better return on your hard-earned investment.



#### 10 Strong Roof

Not only is a strong roof important because it's key to the overall structural integrity of a unit, but also for maintenance purposes. The roof may need some TLC throughout the camping season. The ability to safely walk on the roof to perform some simple cleaning and sealant maintenance, is a huge perk for Jayco owners. Not to mention how it can endure a surprisingly heavy snowfall or falling tree limb.

# WE GO TO GREAT LENGTHS TO BUILD BETTER RVs

You can count on our motorhomes - and our focus on family fun - to go the distance. So you can maximize every moment, no matter where the journey takes you. These are the extra steps we take to set our RVs apart.

# WHY YOUR LOCAL DEALER IS YOUR GREATEST ASSET



Before purchasing an RV of your own, you need to explore, touch and test drive one for yourself. From the sales experience to service after the sale, we consider our dealers to be an important part of the Jayco family. Establishing a strong relationship with your local Jayco dealer is a key factor in the enjoyment of your new unit for more than just the buying stage.



**Research:** The initial research that goes into choosing an RV can be overwhelming and with so many different options, how will you narrow it down? Having a local dealer who is knowledgeable and can answer all of the questions you will inevitably have as well as make helpful suggestions will make the buying experience a positive one. From towing weights and cargo capacity to living space and in-unit technology, your Jayco dealer will have all the information you need to make an informed decision and pick out the unit that fits your wants and needs.



**Sale:** Once you have decided which RV is right for you, signing the papers and picking up your new Jayco comes next; a huge step that should be an exciting and smooth process for you. The last thing you want when you're making this kind of commitment is to feel that you're being taken for a ride. It's comforting having someone behind you that ensures your needs are being met as the sale progresses. The luxury of your dealer walking you through each step will give you the peace of mind that all of your bases will be covered.



**Post-Sale:** After the sale, maintaining a strong relationship with your local dealer has tons of benefits that will come in handy. Most dealers offer after-sale service on your coach that will make it easier to get fixes or upgrades so you can spend less time waiting and more time exploring. Having them just a short drive from you is just an added bonus that will make your experience so convenient and enjoyable.

Whatever stage of RV ownership you find yourself in, your local Jayco dealer is your greatest advantage. Creating a lasting relationship with them will benefit you and your RVing experience for years to come. So go ahead, locate your nearest dealer and see what they can do for you!

