

STELLAR

Toyhaulers



Events

MONSTER ENERGY Supercross



PROLINE WRAPS .COM

MONSTER JAM MonsterJam



SUR SURMOTORSPORTS.COM

UTV World Championship



Camp RZR



TV UNDERGROUND .COM



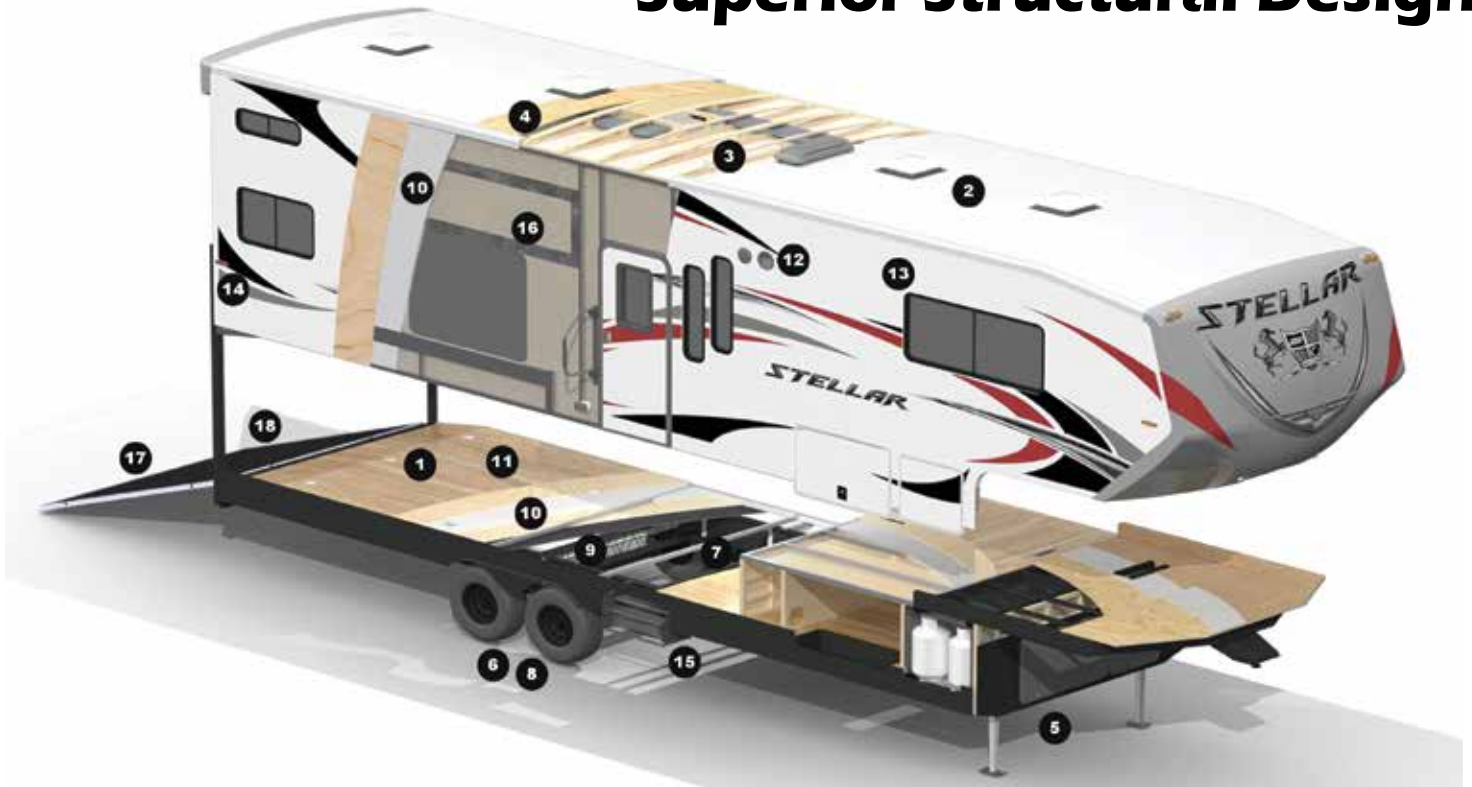
Doonies



Make a Wish



Superior Structural Design

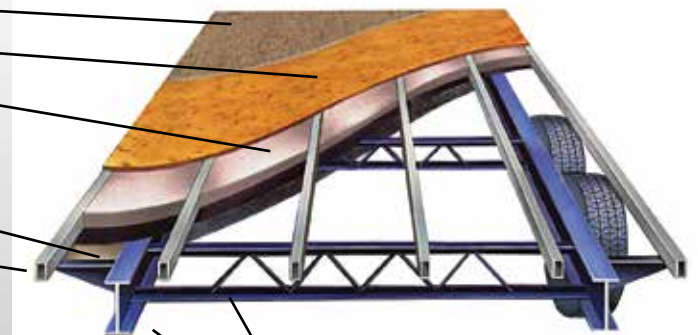


1. 2,500 lbs. Tie-Downs Mounted to Steel
2. Seamless One Piece TPO Roof
3. 5" Roof Trusses
4. Fully Decked Walk-on Roof
5. Wide Stance Chassis
6. Wide Track Axles
7. 12x2" Self Adjust Brakes w/ 7,000 lbs. Stopping Capacity per Axle
8. Tru-Offroad Lubeable Suspension
9. Hi Clearance Offroad Holding Tanks

10. Hi-Density Block Foam - R11 Insulation
11. 2 1/4" Ultra Strong Bonded Floor
12. Hi-Rez LED Flood Lights
13. Extra Large Tinted Windows
14. LED Running Lights
15. Radius Entry Steps
16. Lumber Core Screwed Cabinets with Steel Backing
17. 3,000 lbs. Ramp Door - Rhino Lined
18. Ramp Patio Ready

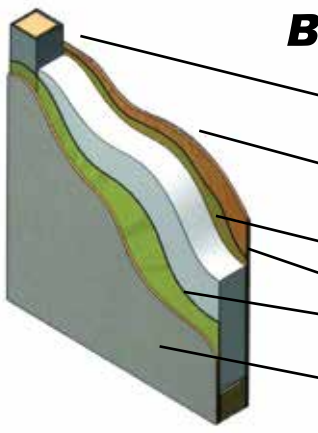
Bonded Floor

- Residential Grade Linoleum
- 1/2" Marine Grade Plywood Decking
- High Density EPS Foam Installation
- Quality Adhesive Developed Specifically for Vacuum Bonded Process
- Luan Under-Decking Covered w/ Underbelly
- 1.5 x 1.5 Welded Aluminum Tube Framing Filled with Lumber for Better Screw Retention



Heavy Duty Truss Chassis Supports
I-Beam Chassis

Bonded Wall



- 1.5 x 1.5 Welded Aluminum Tube Filled with Lumber for Better Screw Retention
- Lamilux Exterior Paneling High Gloss Gel Coated Fiberglass Surface Bonded to Luan Backing
- High Density EPS Foam Insulation
- Quality Adhesive Developed Specifically for Lamination Process
- Vinyl Covered Luan

* Bonded Walls and Floors on all Fiberglass Coaches

Limited Edition



Standard Features - Exterior

- Heavy Duty Axles w/ Zerk Fittings and Self-Adjusting Brakes
- Awning
- Corrugated Thermal Gray Siding (19SB-LE, 20SB-LE, 21FS-LE ONLY)
- Fiberglass Sidewalls - Aluminum Framed (Laminated) (19SBG-LE, 20SBG-LE, 21FSG-LE ONLY)
- Decked Walk-on Roof
- Floor - 3" Framed
- Front Laminated Fiberglass
- Fuel Station - 40 Gallon
- HD Digital Antenna w/ Park Cable Hookup
- Hi Def 3M Graphics
- Hi Rez LED Flood Lights
- LP - Dual 20 Lbs w/ LP Cover
- Powder Coated Chassis w/Double Radius Entry Step
- Propane Stub for Quick Connect
- Ramp Door - 7' Clean Grip Lined (3,000 lbs. Rating)
- Spare Tire w/Carrier
- Stabilizer Jacks - Rear
- Steel Wheels - Mod Black 15"
- Tank Capacities - 100 Fresh, 50 Gray, 50 Black
- Windows - Extra Large Tinted

Standard Features - Interior

- 30 AMP Service
- A/C Living Room - 13.5K BTU (Ducted - 21FS-LE & 21FSG-LE)
- Drive-on Wheel Box
- Furnace - 18K BTU (Ducted - 21FS-LE & 21FSG-LE)
- Glass Enclosed Shower (21FS-LE & 21FSG-LE ONLY)
- I-Beam Chassis w/ Z-style Outriggers
- Interior LED Lighting w/Dimmer
- Lumber Core Screwed Cabinets
- Microwave - Range Hood - Range/Oven
- Mini-Blinds
- Porcelain Toilet
- Rapid Charge Converter
- Refrigerator - Large Double Door
- Single Bowl Galley Sink w/ Pull-out Faucet
- Skylight over Shower (21FS-LE & 21FSG-LE ONLY)
- Stereo - AM/FM/BT/DVD w/Exterior Speakers
- Tie Downs - 2,500 Lbs. Rating
- Top Stitch Deluxe Furniture
- Water Heater - 6 Gal DSI (Quick Recovery)



STELLAR



21SB-LE



21SB-LE

Interior Colors:

- Charcoal w/ Black Stone Cherry Wood
- Refresh w/ Rovere Gessato Wood

Hi Def Exterior Graphics

- Gray

Optional Ugrades

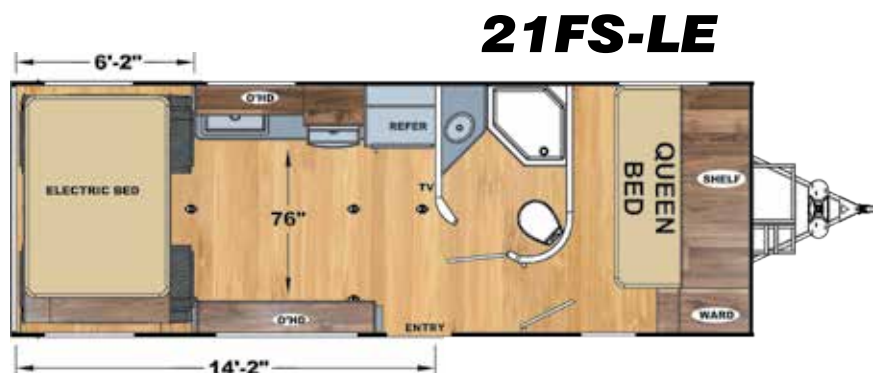
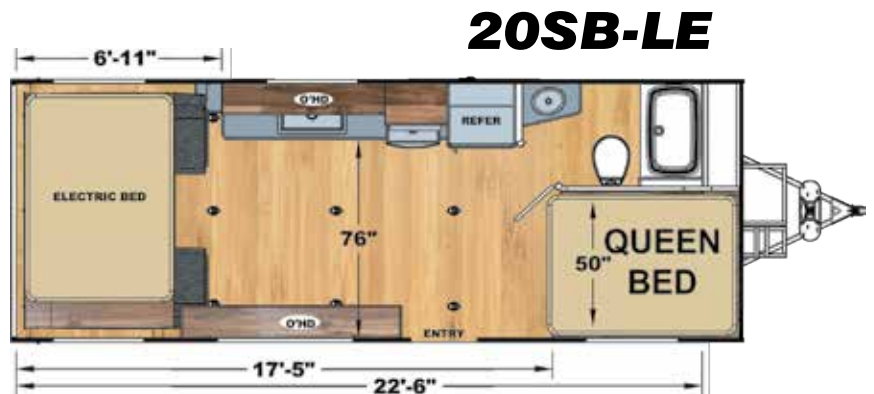
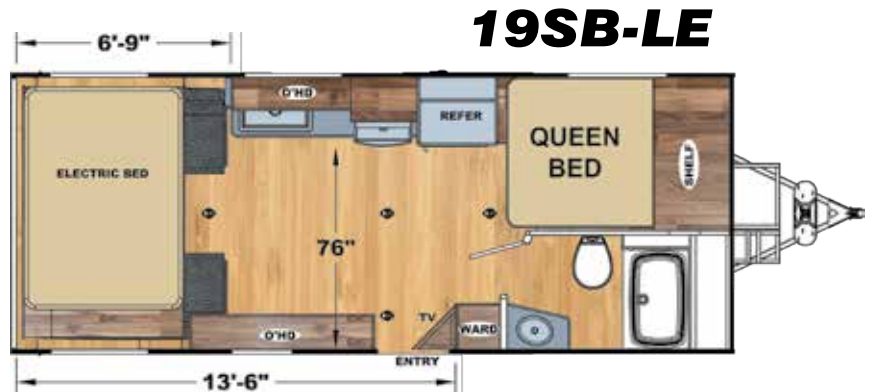
- 2 Chairs IPO Sofa
- Electric Bed / Dinette (Bottom Bunk)
- Generator - 4.0K Onan w/ Transfer Switch (21FS-LE & 21FSG-LE ONLY)
- Front 3/4 Fiberglass Cap
- LP - Dual 30 Lbs.
- Power Tongue Jack
- Ramp Door Cable Kit
- Rear Screen Wall
- Scarlett Furniture Trim
- Solar Panel - 210 Watt
- Solar Panel Expansion - 210 Watt (2nd Panel)
- Stabilizer Jacks - Front
- TV - Living Room (32" Class)
- Winterize

Limited Package Includes:

- Electric Awning - Black Tank Flush
- 12V USB Charger

Stellar Limited Models:

- 19SB-LE
- 20SB-LE
- 21FS-LE
- 19SBG-LE
- 20SBG-LE
- 21FSG-LE



Prolite



Standard Features - Exterior

- Corrugated Thermal Gray Siding
- Decked Walk-on Roof
- Electric Awning w/LED Light
- Exterior Shower
- Floor - 3" Framed
- Front & Rear Laminated Gray Fiberglass
- Fuel Station - 40 Gallon
- HD Digital Antenna w/ Park Cable Hookup
- Heavy Duty Axles w/ Zerk Fittings and Self-Adjusting Brakes
- Hi Def 3M Graphics
- Hi Rez LED Lights - Running, Flood (DS-3, Rear-2)
- Lights - Hitch and Step
- LP - Dual 20 Lbs w/ LP Cover
- Powder Coated Chassis w/Double Radius Entry Step
- Ramp Door w/Cables- 7' Clean Grip Lined (3,000 lbs. Rating)
- Spare Tire w/Carrier
- Stabilizer Jacks - Front & Rear
- Steel Wheels - Mod Black 15"
- Swing-away Entry Door Assist Handle
- Tank Capacities - 100 Fresh, 50 Gray, 50 Black w/ Tank Flush

Standard Features - Interior

- 2 Chairs w/Bay Window
- 30 AMP Service
- A/C Living Room - 13.5K BTU Ducted
- Drive-on Metal Wheel Well (3,000 # Rating)
- Electric Bed / Dinette (Bottom Bunk)
- Furnace - 18K BTU Ducted
- Glass Enclosed Shower (23FIB, 2615QS, 27FS ONLY)
- I-Beam Chassis w/ Z-style Outriggers
- Interior LED Lights w/Dimmer
- Lumber Core Screwed Cabinets
- Medicine Cabinet
- Microwave - Range Hood - Range/Oven
- Pillowtop Mattress w/Bedsread
- Pleated Shades
- Porcelain Toilet
- Rapid Charge Converter
- Refrigerator - Large Double Door
- Solid Surface Galley Top- Drop Range w/Glass Cover
- SS Single Bowl Galley Sink w/Pull-out Faucet
- Stereo - AM/FM/BT/DVD w/Exterior Speakers
- Top Stitch Deluxe Furniture
- USB Chargers - 12V (One in Galley & One in Bedroom)
- Water Heater - 6 Gal DSI (Quick Recovery)



STELLAR



25FB



27FS

Interior Colors:

- Charcoal w/ Black Stone Cherry Wood
- Diamond w/ Skybrush Wood
- Refresh w/ Rovere Gessato Wood

Hi Def Exterior Graphics

- Red
- Gray

Optional Upgrades

- A/C Living Room - 15K BTU
- Aluminum Wheels - Deluxe 15" Black
- Black Aluminum Fender Skirts
- Enclosed Tanks - Heated
- Folding Roof Ladder
- Front 3/4 Fiberglass Cap
- Generator - 4.0K Onan w/Transfer Switch
- Living Room Slideout - Roadside (25FB, 2615QS, 27FS ONLY)
- LP - Dual 30 Lbs.
- MorRyde Ramp Patio Fence
- MorRyde Ramp Patio Steps
- MorRyde Step Above Entry Steps
- Power Tongue Jack
- Pull Down Rear Screen
- Refrigerator - XL Double Door
- Scarlett Furniture Trim
- Skylight Over Shower
- Solar Panel - 210 Watt
- Solar Panel Expansion - 210 Watt (2nd Panel)
- Stainless Steel Appliances
- TV - Living Room (32" Class)
- Winterize

Glass package (Gray) Includes:

- Fiberglass Sidewalls - Aluminum Framed (Laminated)
- Ultra Strong Bonded Floor

Stellar Pro Lite Models

- 23FiB (TT) • 25FB (TT) • 2615QS (TT) • 27FS (TT)



23FiB



25FB



2615QS



27FS

Widelite Trailer



Standard Features - Exterior

- 100 AMP Lithium (LiFePO4) Battery/210 Watt Solar Panel
- Aluminum Wheels - Deluxe 15" Black (16" on 28IBLG & 28KSG)
- Black Aluminum Fender Skirts
- Curbside Under Glow LED Lighting
- Decked Walk-on Roof
- Electric Awning w/ LED Light
- Exterior Shower
- Fuel Station - 40 Gallon
- Generator - 4.0K Onan w/Transfer Switch
- Gray Fiberglass Caps - Front (w/LED)
- Gray Fiberglass Sidewalls - Aluminum Framed (Laminated)
- HD Digital Antenna w/ Park Cable Hookup
- Heavy Duty Axles w/ Zerk Fittings and Self-Adjusting Brakes
- Hi Rez LED Lights - Running, Flood (DS-3, Rear-2)
- Lights - Hitch and Step
- LP - Dual 30 Lbs w/ Custom LP Cover
- Powder Coated Chassis w/Double Radius Entry Step
- Power Tongue Jack
- Ramp Door w/Cables- 7' Clean Grip Lined (3,000 lbs. Rating)
- Spare Tire w/Carrier
- Stabilizer Jacks - 4 (High Clearance)
- Swing-away Entry Door Assist Handle
- Tank Capacities - 150 Fresh, 50 Gray, 50 Black w/ Tank Flush
- Ultra Strong Bonded Floor

Standard Features - Interior

- 2 Chairs with Bay Window
- 30 AMP Service
- A/C Living Room - 15K BTU Ducted
- Electric Bed / Dinette (Bottom Bunk) w/ Ladder
- Electric Fireplace in Livingroom (32KSG Only)
- Furnace - 30K BTU Ducted
- Glass Enclosed Shower w/Skylight
- LED Lights w/Dimmer
- Lighted Solid Surface Galley Top- Drop Range w/Glass Cover
- Living Room Slide
- Microwave w/Built-in Range Hood - Range/Oven
- Pillowtop Mattress w/Bedspread and Shams
- Pleated Shades
- Refrigerator - XL Double Door
- SS Single Bowl Galley Sink w/Pull-out Faucet & Water Filter
- Stereo - AM/FM/CD/DVD/BT w/App Controls and Ext. Speakers
- TV - Living Room (50" Class) (2-50" Class on 32KSG) (50" & 32" Class on 30KSG & 32IBLG)
- USB Chargers - 12V (One in Galley & One in Bedroom)
- Water Heater - 10 Gal Electric/DSI (Quick Recovery)



STELLAR



Interior Colors

- Charcoal w/ Black Stone Cherry Wood
- Diamond w/ Skybrush Wood
- Refresh w/ Rovere Gessato Wood

Hi Def Exterior Graphics

- Red
- Gray

Optional Upgrades

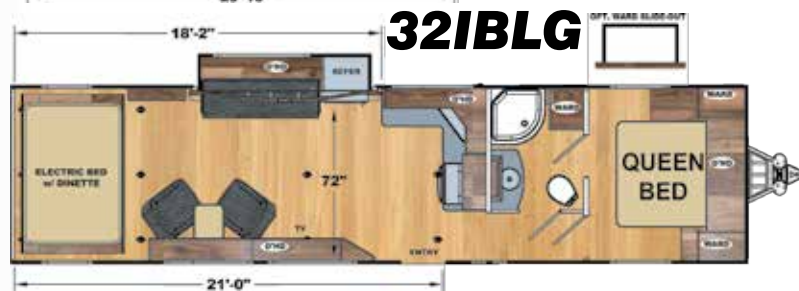
- 2nd 100 AMP Lithium Battery
- 2nd A/C Bedroom - 13.5K BTU (Req's 5.5 Gen Opt)
- Aluminum Wheels - Deluxe 16" (32IBLG ONLY)
- Ceiling Fan - 12V
- Enclosed Tanks - Heated
- Fantastic Fan in Bathroom IPO STD
- Fantastic Fan in Bedroom
- Fantastic Fan w/Wall Switch in Kitchen IPO STD
- Folding Roof Ladder
- Generator - 5.5K Onan w/Transfer Switch & 50 AMP
- Girard Electric Awning w/Wind Sensor
- Inverter - 1800 Watt
- Kicker Stereo System w/App Controls
- MorRyde Ramp Patio Fence
- MorRyde Ramp Patio Steps
- MorRyde Step Above Entry Steps
- Pull Down Rear Screen
- Rear Electric Awning w/LED Light
- Roadside Hi Rez LED Flood Lights (2)
- Scarlett Furniture Trim
- Solar Panel Expansion - 210 Watt (2nd Panel)
- Stainless Steel Appliances
- TV - Bedroom (32" Class)
- Wardrobe Slideout
- White Countertops (STD w/Diamond, Refresh)
- Windows - Frameless
- Winterize

Centurion Package Includes:

- Solid Surface Lavy Top w/ Glass Bowl & Deluxe Faucet

Stellar Widelite Models:

- 28IBLG (TT)
- 28KSG(TT)
- 30KSG (TT)
- 32IBLG (TT)
- 32KSG (TT)



Widelite 5th Wheels



Standard Features - Exterior

- 100 AMP Lithium (LiFePO4) Battery/210 Watt Solar Panel
- 7,000 LB Axles w/ Zerk Fittings and Self-Adjusting Brakes (8,000 LB Axles on 3322DBG)
- Aluminum Wheels - Deluxe 16" Black w/G-Rated Tires
- Black Aluminum Fender Skirts
- Curbside Under Glow LED Lighting
- Decked Walk-on Roof
- Electric Awning w/ LED Light
- Exterior Shower
- Fuel Station - 40 Gallon
- Generator - 4.0K Onan w/Transfer Switch
- Gray Fiberglass Caps - Front (w/LED)
- Gray Fiberglass Sidewalls - Aluminum Framed (Laminated)
- HD Digital Antenna w/ Park Cable Hookup
- Hi Rez LED Lights - Running, Flood (DS-3, Rear-2)
- Lights - Hitch and Step
- LP - Dual 30 Lbs
- Powder Coated Chassis w/Triple Radius Entry Step
- Power Tongue Jack
- Ramp Door w/Cables- 7.5' Clean Grip Lined (3,000 lbs. Rating)
- Spare Tire w/Carrier
- Stabilizer Jacks - Rear (High Clearance)
- Swing-away Entry Door Assist Handle
- Tank Capacities - 150 Fresh, 50 Gray, 50 Black w/ Tank Flush
- Ultra Strong Bonded Floor

Standard Features - Interior

- 2 Chairs with Bay Window
- 30 AMP Service
- A/C Living Room - 15K BTU Ducted
- Electric Bed / Dinette (Bottom Bunk) w/ Ladder
- Furnace - 30K BTU Ducted
- Glass Enclosed Shower w/Skylight
- LED Lights w/Dimmer
- Lighted Solid Surface Galley Top- Drop Range w/Glass Cover
- Living Room Slide
- Microwave w/Built-in Range Hood - Range/Oven
- Pillowtop Mattress w/Bedsread and Shams
- Pleated Shades
- Refrigerator - Side-by-Side 4-Door (Gas/Electric - 18.3CF)
- SS Single Bowl Galley Sink w/Pull-out Faucet & Water Filter
- Stereo - AM/FM/CD/DVD/BT w/App Controls and Ext. Speakers
- TV - Living Room (50" Class)
(50" & 32" Class on 30SKS & 3322DBG)
- USB Chargers - 12V (One in Galley & One in Bedroom)
- Water Heater - 10 Gal Electric/DSI (Quick Recovery)



STELLAR



Interior Colors

- Charcoal w/ Black Stone Cherry Wood
- Diamond w/ Skybrush Wood
- Refresh w/ Rovere Gessato Wood

Hi Def Exterior Graphics

- Red
- Gray

Optional Upgrades

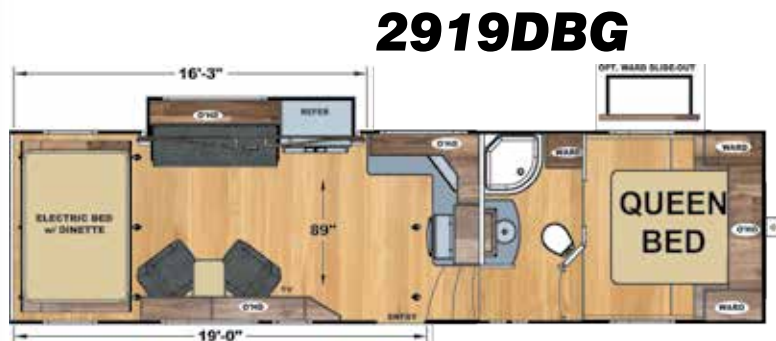
- 2nd 100 AMP Lithium Battery
- 2nd A/C Bedroom - 13.5K BTU (Req's 5.5 Gen Opt)
- 6-Point Hydraulic Auto Leveling
- 8,000 Lbs. Axles IPO Std (STD on 3322DBG)
- Ceiling Fan - 12V
- Enclosed Tanks - Heated
- Fantastic Fan in Bathroom IPO STD
- Fantastic Fan in Bedroom
- Fantastic Fan w/Wall Switch in Kitchen IPO STD
- Folding Roof Ladder
- Generator - 5.5K Onan w/Transfer Switch & 50 AMP
- Girard Electric Awning w/Wind Sensor
- Inverter - 1800 Watt
- Kicker Stereo System w/App Controls
- MorRyde Ramp Patio Fence
- MorRyde Ramp Patio Steps
- MorRyde Step Above Entry Steps
- Pull Down Rear Screen
- Rear Electric Awning w/LED Light
- Roadside Hi Rez LED Flood Lights (2)
- Scarlett Furniture Trim
- Solar Panel Expansion - 210 Watt (2nd Panel)
- Stainless Steel Appliances
- TV - Bedroom (32" Class)
- Wardrobe Slideout
- White Countertops (STD w/Diamond, Refresh)
- Windows - Frameless
- Winterize

Centurion Package Includes:

- Solid Surface Lavy Top w/ Glass Bowl & Deluxe Faucet

Stellar Widelite Models:

- 28SKS (5W)
- 2919DBG (5W)
- 30SKS (5W)
- 3322DBG (5W)



Widebody 5th Wheels



Standard Features - Exterior

- 100 AMP Lithium (LiFePO4) Battery/210 Watt Solar Panel
- 7,000 LB Axles w/ Zerk Fittings and Self-Adjusting Brakes
- Aluminum Wheels - Deluxe 16" Black w/G-Rated Tires
- Black Aluminum Fender Skirts
- Curbside Under Glow LED Lighting
- Electric Awning w/ LED Light
- Exterior 40" Class TV w/Luggage Door (N/A 3218LK)
- Folding Roof Ladder w/ Decked Walk-on Roof
- Fuel Station - 40 Gallon
- Generator - 5.5K Onan w/Transfer Switch
- Gray Fiberglass Caps - Front (w/LED) - Full Turning Radius 88°
- Gray Fiberglass Sidewalls - Aluminum Framed (Laminated)
- HD Digital Antenna w/ Park Cable Hookup
- Hi Rez LED Lights-Running, Flood (DS-3,RS-2,Rear-2)
- Lights - Hitch and Step
- LP - Dual 30 Lbs
- Powder Coated Chassis w/ Triple Radius Entry Step
- Ramp Door w/Cables- 7.5' Clean Grip Lined (3,000 lbs. Rating)
- Spare Tire w/Carrier
- Stabilizer Jacks - Rear (High Clearance)
- Swing-away Entry Door Assist Handle
- Tank Capacities - 150 Fresh, 50 Gray, 50 Black w/ Tank Flush
- Ultra Strong Bonded Floor

Standard Feature - Interior

- 50 AMP Service
- A/C Living Room - 15K BTU Ducted
- Ceiling Fan - 12V (N/A w/Lighted Logo Soffit)
- Electric Bed / Dinette (Bottom Bunk) w/ Ladder
- Electric Fireplace in Bedroom (In Livingroom Also on 35KSG)
- Furnace - 30K BTU Ducted
- Glass Enclosed Shower w/Skylight
- In-Floor Beaver Tail Storage
- LED Lights w/Dimmer
- Lighted Solid Surface Galley Top- Drop Range w/Glass Cover
- Microwave w/Built-in Range Hood - Range/Oven
- Pillowtop King Mattress w/Bedsread and Shams
- Pleated Shades
- Refrigerator - Side-by-Side 4-Door (Gas/Electric - 18.3CF)
- SS Single Bowl Galley Sink w/Pull-out Faucet & Water Filter
- Stereo - AM/FM/CD/DVD/BT w/App Controls and Ext. Speakers
- TV - Living Room (50" Class)
- USB Chargers - 12V (One in Galley & One in Bedroom)
- Water Heater - 10 Gal Electric/DSI (Quick Recovery)



STELLAR



35KSG



35KSG



35KSG

Interior Color

- Charcoal w/ Black Stone Cherry Wood
- Diamond w/ Skybrush Wood
- Refresh w/ Rovere Gessato Wood

Hi Def Exterior Graphics

- Red
- Gray

Optional Upgrades

- 2 Extra Chairs
- 2nd 100 AMP Lithium Battery
- 2nd A/C Bedroom - 13.5K BTU (Req'd w/7.0 Gen)
- 2nd Electric Awning w/LED Light
- 6-Point Hydraulic Auto Leveling
- 7.0KW Gen W/Rear 13.5 A/C (High Efficient)
- Central Vacuum System
- Enclosed Tanks - Heated
- Extra 40 Gallon Fuel Tank (35KSG Req.'s +3 Opt.)
- Extra 70 Gallons Fresh Water (N/A 35KSG)
- Extra Cargo - 3' (35KSG ONLY)
- Fantastic Fan in Bathroom IPO STD
- Fantastic Fan in Bedroom
- Fantastic Fan w/Wall Switch in Kitchen IPO STD
- Folding Dinette w/Table (40LK Only)
- Girard Dual Electric Awnings w/Wind Sensor
- Inverter - 1800 Watt
- Kicker Stereo System w/App Controls
- Lighted Logo Soffit
- Living Room Slideout - RS (STD on 3218LK & 35KSG)
- MorRyde Ramp Patio Fence
- MorRyde Ramp Patio Steps
- MorRyde Step Above Entry Steps
- Onan Energy Command 30 Auto-Start for Generator
- Pull Down Rear Screen
- Rear Electric Awning w/LED Light
- Rear TV Entertainment (50" Class) (35KSG Req.'s +3 Opt.)
- Scarlett Furniture Trim
- Solar Panel Expansion - 210 Watt (2nd Panel)
- Stainless Steel Appliances
- TV - Bedroom (32" Class)
- White Countertops (STD w/Diamond, Refresh)
- Windows - Frameless
- Windows - Thermo Pane
- Winterize
- Wireless Backup Camera

Centurion Package Includes:

- Solid Surface Lavy Top w/ Glass Bowl & Deluxe Faucet

Stellar Widebody 5th Models:

- 3218LK (5W)
- 35KSG (5W)
- 40LK (5W)

3218LK



35KSG



40LK



Buy Locally

STELLAR

Eclipse Recreation Vehicles Inc. strongly encourages our retail customers to purchase from their local dealership whenever possible.



Ramp Door Patio Fence Option

The Name Says it All

Stellar Design, function and quality, built by Eclipse RV, whose experience proves a track record of credibility. Stellar Toyhaulers offers affordable floorplans, to luxury widebody floorplans, all with you in mind. Stellar offers exclusive features for unrivaled comfort and functionality. Enjoy your adventure with the Stellar Trailer and Fifth Wheel built with you in mind.

Limited	GVWR	Dry Weight	Hitch Weight	Axle Weight	Exterior Height	O.A. Length*	Fresh Water	Gray Water	Black Water	LP Capacity
19SB-LE	9900	5540	660	4880	11'-11"	26'-1"	100 Gal.	50 Gal.	50 Gal.	40#
19SBG-LE	9900	5420	614	4806	11'-11"	26'-1"	100 Gal.	50 Gal.	50 Gal.	40#
20SB-LE	9900	5960	780	5180	11'-11"	27'-11"	100 Gal.	50 Gal.	50 Gal.	40#
20SBG-LE	9900	5880	800	5080	11'-11"	27'-11"	100 Gal.	50 Gal.	50 Gal.	40#
21FS-LE	9900	6026	666	5360	11'-11"	28'-10"	100 Gal.	50 Gal.	50 Gal.	40#
21FSG-LE	9900	5926	660	5266	11'-11"	28'-10"	100 Gal.	50 Gal.	50 Gal.	40#
Pro-Lite	GVWR	Dry Weight	Hitch Weight	Axle Weight	Exterior Height	O.A. Length*	Fresh Water	Gray Water	Black Water	LP Capacity
23FiB	9900	6686	1033	5653	11'-11"	29'-3"	100 Gal.	50 Gal.	50 Gal.	40#
25FB	9900	7010	1010	6000	11'-11"	31'-8"	100 Gal.	50 Gal.	50 Gal.	40#
2615QS	9900	TBD	TBD	TBD	11'-12"	33'-0"	100 Gal.	50 Gal.	50 Gal.	40#
27FS	9900	7740	1087	6653	11'-11"	32'-9"	100 Gal.	50 Gal.	50 Gal.	40#
Wide Lite	GVWR	Dry Weight	Hitch Weight	Axle Weight	Exterior Height	O.A. Length*	Fresh Water	Gray Water	Black Water	LP Capacity
28KSG	13000	9360	1474	7886	12'-6"	35'-8"	150 Gal.	50 Gal.	50 Gal.	60#
28iBLG	13000	9050	1440	7610	12'-6"	36'-3"	150 Gal.	50 Gal.	50 Gal.	60#
30KSG	14000	9666	1413	8253	12'-5"	37'-8"	150 Gal.	50 Gal.	50 Gal.	60#
32KSG	14000	10380	1700	8680	12'-5"	37'-8"	150 Gal.	50 Gal.	50 Gal.	60#
32iBLG	14000	9460	1700	8240	12'-5"	39'-2"	150 Gal.	50 Gal.	50 Gal.	60#
Wide Lite 5th Wheel	GVWR	Dry Weight	Hitch Weight	Axle Weight	Exterior Height	O.A. Length*	Fresh Water	Gray Water	Black Water	LP Capacity
28SKS	14000	9800	2307	7493	13'-5"	33'-0"	150 Gal.	50 Gal.	50 Gal.	60#
2919DBG	14000	10300	2220	8080	13'-5"	34'-6"	150 Gal.	50 Gal.	50 Gal.	60#
30SKS	14000	10780	2240	8540	13'-5"	35'-0"	150 Gal.	50 Gal.	50 Gal.	60#
3322DBG	16000	10360	2380	7980	13'-5"	37'-4"	150 Gal.	50 Gal.	50 Gal.	60#
Wide Body 5th Wheel	GVWR	Dry Weight	Hitch Weight	Axle Weight	Exterior Height	O.A. Length*	Fresh Water	Gray Water	Black Water	LP Capacity
3218LK	19000	12570	3210	9360	13'-5"	38'-8"	150 Gal.	50 Gal.	50 Gal.	60#
35KSG	19000	12920	2960	9960	13'-5"	38'-10"	150 Gal.	50 Gal.	50 Gal.	60#
35KSG+3	19000	13360	3100	10260	13'-5"	41'-10"	150 Gal.	50 Gal.	50 Gal.	60#
40LK	19000	13927	3327	10600	13'-5"	45'-0"	150 Gal.	50 Gal.	50 Gal.	60#

* Center of Ball or Pin to Rear of Ramp Door



All product data, graphics and photography in this brochure were as accurate as possible at press time. Subsequent refinements during the model year may be evident in the actual product. Eclipse RV, Inc. reserves the right to change prices, colors, mater equipment and specifications without notice - as well as to add, modify or discontinue models shown in promotional materials and / or on it website. Unloaded vehicle weight and carrying capacities will vary upon optional equipment.

Manufactured by Eclipse Recreational Vehicles, Inc.
3016 Kansas Ave., #14, Riverside, CA 92507
(951) 684-6868

www.AttitudeToyhaulers.com
www.instagram.com/attituderv/

