

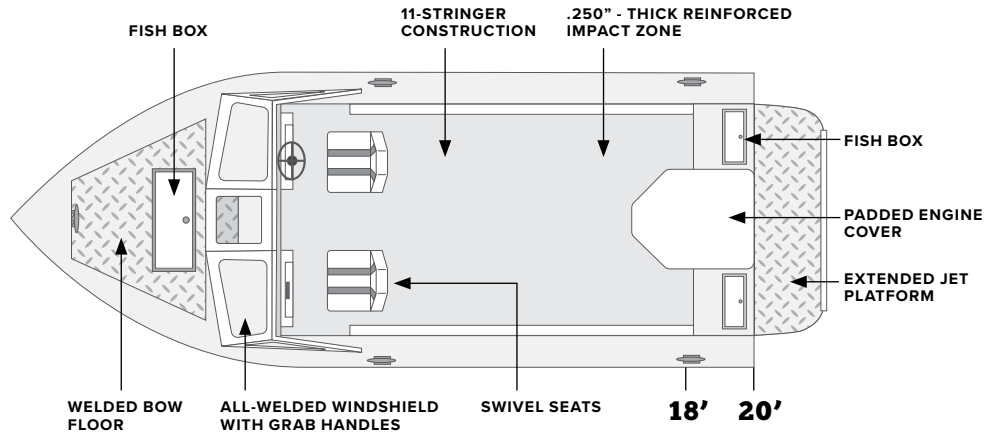
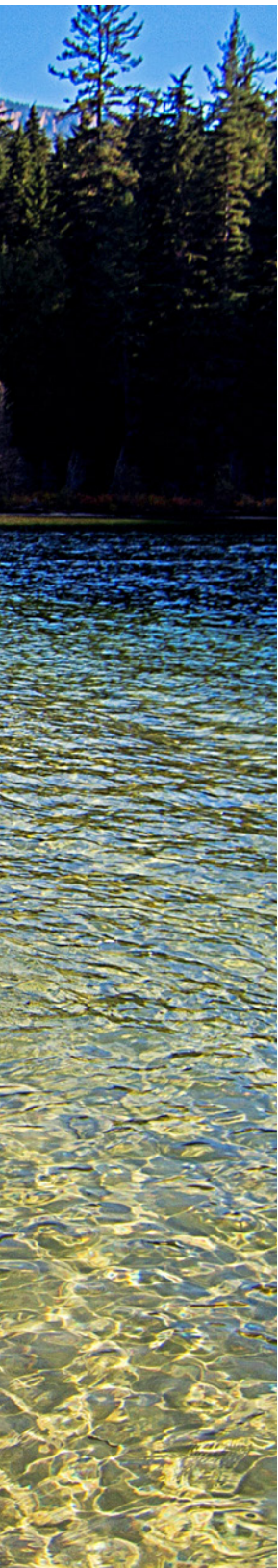


RIVER RUNNER

18' | 20'

SHALLOW RIVERS AND ROCKY STREAMS

Engineered to meet the demands of shallow, rocky rivers everywhere, this boat exceeds expectations. The 66" bottom is made from thick .190" aluminum allowing you to maneuver the rapids with ease, so you can get to the best fishing. Great for the steelhead rivers of the PNW; those who prefer calmer water, fly rods, and an elk hair caddis will be at home here.



MODEL

180

200

OVERALL LENGTH	18'2"	20'2"
BEAM	86"	86"
MAX. HP	250	250
FUEL TANK	34 Gal	43 Gal
INSIDE DEPTH	27"	27"
DEADRISE FORWARD	31°	31°
DEADRISE AMIDSHIPS	11°	11°
DEADRISE AFT	10°	10°
BOTTOM GAUGE	.190"	.190"
BOTTOM WIDTH	66"	66"
SIDE GAUGE	.100"	.100"
SIDE HEIGHT	29"	29"
TRANSOM (W x H)	85" x 20.5"	85" x 20.5"
PERSON CAPACITY	5	7
PERSON WT. CAPACITY (LBS)	825	1155
MAX WT. CAPACITY (LBS)	1008	1252
BOAT DRY WT. (LBS)	1950	2100
FISHING COCKPIT (W x L)	70" x 129.5	70" x 150"

TOP: SOFT-TOP ONLY

ENGINE: 200 OR 250 HP ROTAX INBOARD JET ENGINE AVAILABLE ON BOTH MODELS

ROTAX.

