



PRECEPT™ • *Alante™*



PRECEPT • ALANTE

**2**  
**YEAR**  
WARRANTY

HANDS DOWN, THE BEST RIDE

2017





#LETSJAYCO

Where do you want to go? With Jayco, you're headed straight for family fun—regardless of the destination. From wooded campgrounds to sandy beaches, swimming hole docks to scenic highways, maximize the moment with unmatched quality and added comfort. So what are you waiting for? Make new memories—and share them with the world.

## GENERATIONS OF FAMILY FUN



### MAKING MEMORIES THAT LAST GENERATIONS—LET'S JAYCO

Whether you're out for excitement, relaxation or just time together, we take steps others don't to help you stay focused on the fun. No cutting corners here. Let us go the extra mile so you don't have to.

#### THE JAYCO DIFFERENCE

1. **120-inch panoramic windshield** allows for maximum visibility and comes complete with oversized wiper blades
2. **39-inch exterior TV** comes standard—and is one of the industry's largest
3. **One-piece, seamless fiberglass roof** offers unmatched durability
4. **Power driver and passenger seats** with 180-degree swivel allow for maximum seating and ultimate comfort at camp\*
5. **Seat belts in every seating position** secure the most precious cargo

\*Power passenger seat on Precept only. Visit [Jayco.com](http://Jayco.com) for more information.

## CLASS A MOTORHOMES

PRECEPT™ *Alante™*

## DISCOVER YOUR HOME AWAY FROM HOME

Thanks to legendary Jayco craftsmanship and constant innovation, the moment you set foot in a spacious 2017 Precept or Alante you feel right at home. With unmatched on-the-road comfort and control, you're in for a superior travel experience—a journey that delights each and every mile.

## WE CARE ABOUT GETTING THERE AS MUCH AS BEING THERE

JRide\* is a powerful blend of precise handling and renowned stability. Hands down, it's the best ride. Experience JRide for yourself—visit your local dealer and take a test drive.



A PRECEPT STANDARD



AN ALANTE STANDARD

<http://www.jayco.com/products/class-a-motorhomes/2017-precept/jride-plus/>

<http://www.jayco.com/products/class-a-motorhomes/2017-alante/jride/>

COMPUTER-BALANCED  
DRIVESHAFT

JRIDE JRIDE PLUS

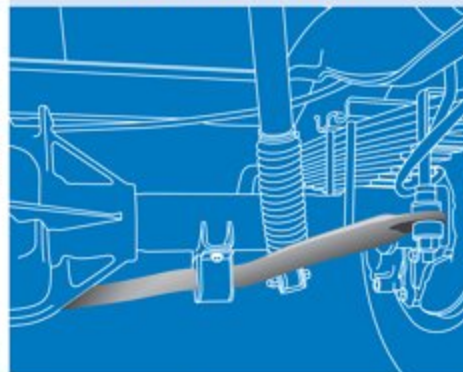
Ensures smooth and efficient power transfer to the wheels

## BILSTEIN® SHOCK ABSORBERS



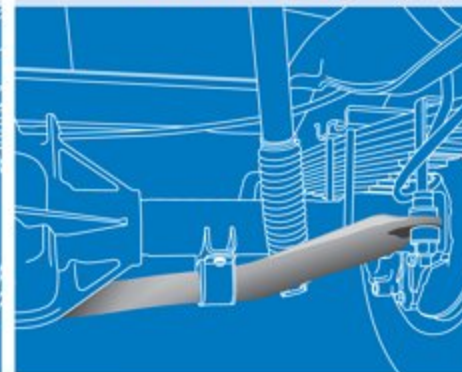
JRIDE JRIDE PLUS

Feature a unique monotube gas-pressure design that provides optimum ride quality and vehicle control; Bilstein shock absorbers last 2-3 times longer than the conventional twin-tube piston and are found in many high-end luxury vehicles

STANDARD FRONT AND REAR  
STABILIZER BARS

JRIDE JRIDE PLUS

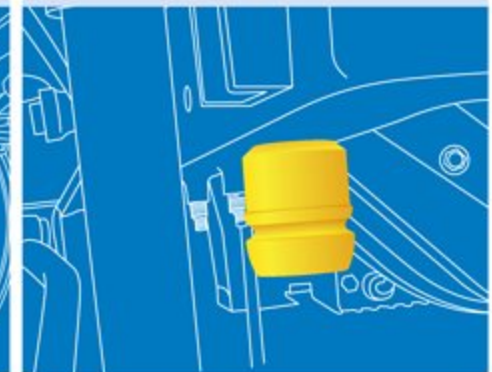
Reduce the body roll of a vehicle during fast cornering or over road irregularities

HEAVY-DUTY FRONT  
STABILIZER BAR

JRIDE PLUS

With the addition of a larger bar and polyurethane bushings, power transfers faster than standard rubber bushings, which provides even more support and stability for easier handling

## JOUNCE BUMPERS



JRIDE JRIDE PLUS

Assist during extreme road occurrences to absorb impact and dampen excess road noise and vibration



4  
FEATURED FLOORPLAN: 31UL

## PRECEPT

Loaded with amenities and built on a Ford® F53 chassis with precision handling features, the Precept makes it as easy as ever to enjoy the comforts—and luxuries—of home wherever you go.



TANKLESS WATER HEATER

**THETFORD**  
**SANICON**<sup>®</sup>  
**TURBO**

THETFORD® SANI-CON® TURBO WASTE MANAGEMENT SYSTEM



SPACIOUS TRI-FOLD SOFA

## PRECEPT FLOORPLANS



PRECEPT | 31UL



PRECEPT | 35S



PRECEPT | 35UP



PRECEPT | 36T

## PRECEPT EXTERIOR SELECTIONS



Graphics - Sandstone (N/C)



Graphics - Sky Blue (N/C)



Premium Paint Option - Desert Sky



Premium Paint Option - Moon Bay



Premium Paint Option - Summer Wood

## PRECEPT INTERIOR DÉCOR

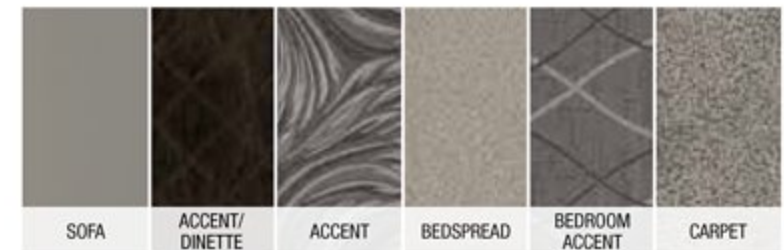
### CAPPUCCINO



### FRENCH VANILLA



### PEWTER



## PRECEPT SPECS

MODELS	DIMENSIONS					TANKS (GALS.)			
	FLOORPLAN	EXTERIOR LENGTH	EXTERIOR WIDTH	EXTERIOR HEIGHT (WITH A/C)	INTERIOR HEIGHT	WHEEL BASE	FRESH WATER CAPACITY	GREY WASTE WATER CAPACITY	BLACK WASTE WATER CAPACITY
31UL		32' 2"	101"	12' 7"	84"	190"	71.5	40	50
35S		36' 7"	101"	12' 7"	84"	228"	71.5	40	50
35UP		35' 10"	101"	12' 7"	84"	228"	77	40	50
36T		38' 2"	101"	12' 7"	84"	190"	121.5	2 x 40	101

**Gross Vehicle Weight Rating (GVWR):** The maximum permissible weight of the motorhome, including the Unloaded Vehicle Weight (UVW) plus passengers, personal items, all cargo, fluids, options and dealer-installed accessories. The GVWR is equal to or greater than the sum of the UVW and the Cargo Carrying Capacity.

**Gross Combined Weight Rating (GCWR):** The maximum allowable combined weight of the motorhome used as a tow vehicle and the attached towed vehicle.

It is important for your safety and enjoyment that you are aware of the weights and tow ratings of the RV you select. Consult a competent advisor for questions or advice. Whether you are new to RVing or a veteran, get a feel for the performance of your RV before heading out on the roadways. When you tow a vehicle with your RV, you must drive differently than when you drive a single vehicle. Practice hooking up, driving, backing up and braking in a safe environment or seek out professional instruction. Jayco affixes a weight label to each RV which lists weight information for that vehicle. Refer to that label to verify the vehicle will meet your requirements.



FEATURED FLOORPLAN: 32N

# ALANTE

Efficient design, residential styling and a comfortable ride make for a Class A motorhome that's a rare blend of luxurious travel and unbeatable value.



TWO 11,000-BTU A/Cs WITH ENERGY MANAGEMENT SYSTEM (N/A ON 26X)



OPTIONAL 12-CUBIC-FOOT REFRIGERATOR



EXTERIOR ENTERTAINMENT CENTER

## ALANTE FLOORPLANS



ALANTE | 26X



ALANTE | 26Y



ALANTE | 31P



ALANTE | 31V



ALANTE | 32N

## ALANTE EXTERIOR SELECTIONS



Graphics - Regal Red



Graphics - Victory Blue

## ALANTE INTERIOR DÉCOR

### GLORIOUS GREY



### GRAND TAN



## ALANTE SPECS

MODELS		DIMENSIONS				TANKS (GALS.)		
FLOORPLAN	EXTERIOR LENGTH	EXTERIOR WIDTH	EXTERIOR HEIGHT (WITH A/C)	INTERIOR HEIGHT	WHEEL BASE	FRESH WATER CAPACITY (INCLUDES WATER HEATER)	GREY WASTE WATER CAPACITY	BLACK WASTE WATER CAPACITY
26X	27' 5"	101"	12' 5"	84"	158"	59	40	32
26Y	28' 3"	101"	12' 5"	84"	158"	77.5	40	50
31P	31' 6"	101"	12' 5"	84"	191"	78.5	41	51
31V	31' 11"	101"	12' 5"	84"	190"	77.5	40	50
32N	33' 2"	101"	12' 5"	84"	190"	77.5	40	50

## PRECEPT STANDARDS AND OPTIONS

### CUSTOMER VALUE PACKAGE

JRide Plus Package: Bilstein® shock absorbers, heavy-duty front stabilizer bar, standard front and rear stabilizer bars, computer-balanced driveshaft, jounce bumpers  
Automatic hydraulic leveling jacks  
Pioneer in-dash infotainment system with touchscreen and Apple CarPlay™ and Android Auto™ integration  
Backup and sideview cameras with monitor  
Frameless windows  
Electric patio awning with LED lights  
Slideout awnings  
Exterior entertainment center with 39-inch LED TV mounted on swivel bracket and single-disc DVD/FM radio  
Onan® Marquis Gold Genset 5,500-watt generator with auto-gen start  
1,000-watt inverter powers main TV, bedroom TV, exterior TV and entertainment center  
50-amp electrical service  
13,500-BTU A/C units (2)  
On-demand tankless water heater  
Solid-surface kitchen countertops with integrated stainless steel sink  
LED living room TV  
Day/night roller shades  
Driver/passenger cockpit table

### STANDARD EXTERIOR EQUIPMENT

White, high-gloss fiberglass walls  
Seamless, crowned fiberglass roof  
Entrance door with industry's largest travel view window  
One-piece fiberglass front and rear cap  
Bead-foam insulation (R-24 max roof, R-9 max floor, R-8 max walls)  
Electric powered entrance step  
Lockable pass-through storage compartments with easy-to-use Slam-latch™ doors  
12V house battery  
12V demand water pump  
Chrome grill  
Theford® Sani-Con® Turbo waste management system  
120-inch panoramic windshield

### STANDARD INTERIOR EQUIPMENT

84-inch interior ceiling height with padded vinyl ceiling  
High-intensity recessed LED ceiling lights  
Raised-panel cabinet doors  
Ball-bearing drawer guides  
3-burner range with 9,000-BTU SuperBurner™ and piezo igniter  
Convection microwave oven  
8-cubic-foot gas/electric refrigerator with raised-panel wood doors  
Water filtration system

Dream Dinette™ mechanism easily raises/lowers tabletop  
2-point lap safety belts on all seating areas  
Soft-touch vinyl dash with wood grain accents  
30,000-BTU auto-ignition ducted furnace (31UL)  
35,000 BTU auto-ignition ducted furnace (35S and 35UP)  
30,000 BTU auto-ignition ducted furnace (Z) (36T)  
Prep for satellite dish  
Cable TV hookup with RG-6 coax and video selector switch  
Digital antenna with signal booster  
Shower with surround, glass door, skylight and light  
Stainless steel lavatory sink  
Porcelain toilet with foot flush  
Powered roof vent in bathroom with wall switch  
Queen-size bed with under-bed storage  
Bedroom 32-inch LED TV  
Decorative kitchen backsplash  
Entrance door with large frameless window and keyless entry

### STANDARD DRIVING EQUIPMENT

Ford® F53 chassis  
6.8L Triton® V10 320 HP gas engine with electronic fuel injection and 460 lb-ft torque  
6-speed automatic TorqShift® transmission with overdrive and tow-haul mode

5,000-pound rear hitch receiver with dual connector  
130-amp alternator  
56-pound, 16.5-gallon propane tank  
12V chassis battery  
22.5-inch Michelin® radial tires with aluminum rims  
Front and rear disc, 4-wheel anti-lock brakes  
7-pin plug  
6-way power, swivel driver and passenger seats  
Flush-mount LED marker lights  
Third brake light

### OPTIONS

Canadian standards  
Sandstone or Sky Blue graphics (N/C)  
Three premium paint packages: Summer Wood, Moon Bay and Desert Sky  
Drop-down overhead bunk in cab area with 750-pound capacity  
Bunk bed in slideout (35UP)  
12-cubic-foot, 4-door refrigerator  
Washer/dryer combination (35S, 36T)  
Flexsteel® theater seats

## ALANTE STANDARDS AND OPTIONS

### CUSTOMER VALUE PACKAGE

JRide: Bilstein shock absorbers, computer-balanced driveshaft, jounce bumpers, standard front and rear stabilizer bars  
Pioneer in-dash infotainment system with touchscreen and Apple CarPlay™ and Android Auto™ integration  
Backup and sideview cameras with monitor  
Electric patio awning with LED lights  
Slideout cover awnings  
LED living room TV  
Day/night roller shades  
Seamless, crowned fiberglass roof  
Exterior entertainment center with LED TV mounted on swivel bracket, DVD/AM/FM radio and speakers  
1,000-watt inverter powers main TV, rear bedroom TV, exterior TV, entertainment center  
Driver/passenger cockpit table

### STANDARD EXTERIOR EQUIPMENT

Regal Red graphics  
Automatic hydraulic leveling jacks  
One-piece, seamless front cap with LED lighting accents  
Entrance door with industry's largest travel view window  
Bead-foam insulation (R-24 max roof, R-9 max floor, R-8 max walls)  
Lockable pass-through storage compartments with easy-to-use Slam-latch doors  
4-inch tube bumper with sewer hose storage  
Onan Marquis Gold Genset 4,000-watt generator  
11,000-BTU A/C (2) with power management system  
15,000-BTU A/C (1) (26X only)  
Energy management system

### STANDARD INTERIOR EQUIPMENT

Stainless steel sinks in kitchen and bathroom  
Hardwood cabinet doors throughout  
3-burner range with oven, 9,000-BTU SuperBurner and piezo igniter  
Seat belts in every seating position  
Auto-ignition, 31,000-BTU ducted furnace  
Toilet with foot flush  
Powered roof vent in bathroom with wall switch  
Full 2-toned dash with grey burl accents

### STANDARD DRIVING EQUIPMENT

Ford® F53 16,000-pound (26X, 26Y); 18,000-pound (31P, 31V, 32N) GVWR chassis  
6.8L Triton V10 320 HP gas engine with electronic fuel injection and 460 lb-ft torque  
6-speed automatic TorqShift transmission with overdrive and tow-haul mode

5,000-pound rear hitch receiver with dual connector  
175-amp alternator  
56-pound, 16.5-gallon propane tank  
19.5-inch Goodyear® radial tires  
Front and rear disc, 4-wheel anti-lock brakes  
7-pin plug  
6-way power driver seat

### OPTIONS

Canadian standards  
Regal Red or Victory Blue graphics (N/C)  
Bedroom LED TV  
Drop-down overhead bunk in cab area with 750-pound capacity  
12-cubic-foot gas/electric refrigerator (31P, 32N)  
Flexsteel theater seats (N/A on 26X)



Generations of family fun.

### Meet your Jayco Dealer

Colton RV & Marine  
3122 Niagara Falls Blvd  
North Tonawanda, NY 14120  
(716) 694-0188  
www.ColtonRV.com

Colton RV & Marine  
3443 Southwestern Blvd.  
Orchard Park, NY 14127  
(716) 957-3250  
www.Coltonrv.com

We work hard—so you can play hard. From finding the perfect Jayco for your family to providing flexible financing options and full-service support, we're here to help.

### Follow Jayco



Jayco, Inc., P.O. Box 460, Middlebury, IN 46540, www.jayco.com

See dealer for further information and prices. All information in this brochure is the latest available at the time of publication approval. Jayco reserves the right to make changes and to discontinue models without notice or obligation. Photos in this brochure may show optional equipment and props for photography purposes. RVs built for sale in Canada may differ to conform to Canadian codes. ©2016 Jayco, Inc. 274745 0816-60K. Printed in U.S.A.

### Travel with Confidence



At Jayco, we build our RVs to handle every adventure, then back it with our industry-leading 2-year limited warranty. We, with support from our select partners, have you covered for **2 camping seasons**. That's **730 days**. You won't find a better warranty in the business, because the only strings we attach are those that deliver the ultimate in reliability. That's the Jayco difference. So go explore. We have the warranty that will follow you anywhere. For a copy of our 2-year limited warranty with complete terms and conditions, please contact your local Jayco dealer.



A year's access to Coach-Net™—the country's largest RV emergency road service.



### Jayco's long-term commitment to generations of family fun

After five years of increased efforts to eliminate waste, conserve energy and increase recycling, we've come a long way in building RVs that are not only better for your family—but also better for the planet.

Learn more at [Jayco.com/EcoAdvantage](http://Jayco.com/EcoAdvantage)