



Generations of family fun.

**SENECA™**



SENECA

**2**  
**YEAR**  
WARRANTY

**HANDS DOWN, THE BEST RIDE**

**2017**



#LETSJAYCO

Where do you want to go? With Jayco, you're headed straight for family fun—regardless of the destination. From wooded campgrounds to sandy beaches, swimming hole docks to scenic highways, maximize the moment with unmatched quality and added comfort. So what are you waiting for? Make new memories—and share them with the world.

## GENERATIONS OF FAMILY FUN

### ENVIABLE PERFORMANCE

---

A foundation that's built to deliver for the long haul

1. **Freightliner® M2 chassis** delivers a tight 55-degree turning radius
2. **Cummins® ISB 6.7L 340 HP diesel engine** features a 33,000-pound GCWR and a 28,000-pound GVWR; a 10,000-pound-rated hitch; 60-millimeter Bilstein® shocks
3. **Allison® 2500 MH automatic transmission** delivers the power, control and traction to handle anything the road throws at you
4. **74-gallon fuel tank and 6-gallon DEF tank**
5. **Michelin® 275/80R 22.5-inch tires**



CLASS C MOTORHOME

# SENECA™

## MAKING THE JOURNEY A JOY

In the 2017 Jayco Seneca, you'll be there before you know it. Power, stability and several extra steps we take to enhance the ride may even have you wishing your destination was a couple more miles down the road. Once you're there, high-tech features and residential amenities make for an experience to remember.

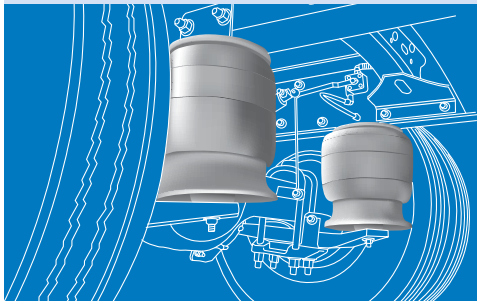
### RIDE AND HANDLING. DEFINED.

JRide is a powerful blend of precise handling and renowned stability. Hands down, it's the best ride.

Experience JRide for yourself—visit your local dealer and take a test drive.

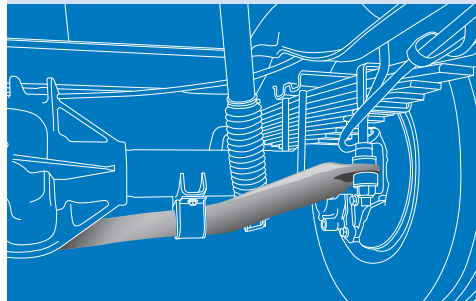


#### REAR AIR SUSPENSION



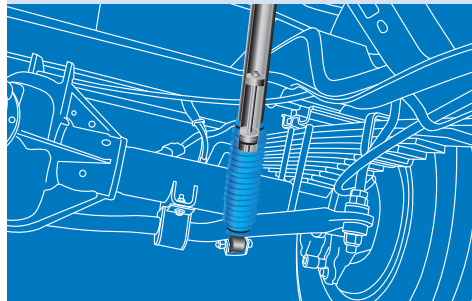
Improves stability under heavy loads

#### HEAVY-DUTY FRONT STABILIZER BAR



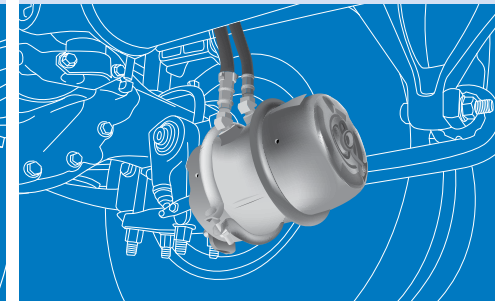
Reduces the body roll of a vehicle during fast cornering or over road irregularities

#### 60-MILLIMETER BILSTEIN SHOCKS



Feature a unique monotube gas-pressure design that provides optimum ride quality and vehicle control: Bilstein shock absorbers last 2-3 times longer than the conventional twin-tube piston and are found in many high-end luxury vehicles

#### FULL AIR BRAKES



Offer peace of mind—even on the steepest inclines



FEATURED FLOORPLAN: 37HJ

## SENECA

On the road or at camp, rain or shine, the 2017 Seneca is loaded with features for uncompromised luxury, comfort and entertainment.

### MAIN INTERIOR KEY

1. Flexsteel® Ultraleather™ seats
2. LED TV
3. Blu-Ray™ player



FLEXSTEEL ULTRALEATHER SOFA



COCKPIT WITH PIONEER INFOTAINMENT SYSTEM

**THETFORD**  
**SANICON**®  
**TURBO**

THETFORD® SANI-CON® TURBO WASTE MANAGEMENT SYSTEM



BEDROOM WITH KING BED



TANKLESS WATER HEATER



2,000-WATT PURE SINE INVERTER POWERS MAIN TV, MICROWAVE, REAR BEDROOM TV, EXTERIOR TV AND ENTERTAINMENT CENTER

### INTERIOR DÉCOR

#### GLORIOUS CREAM

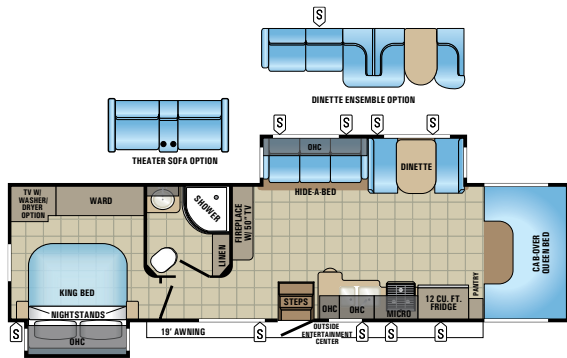


#### ROYAL GARNET

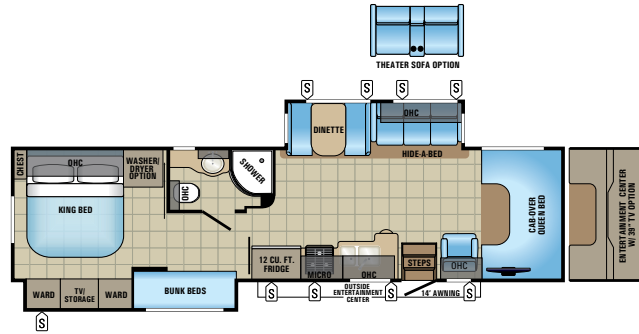


#### STERLING

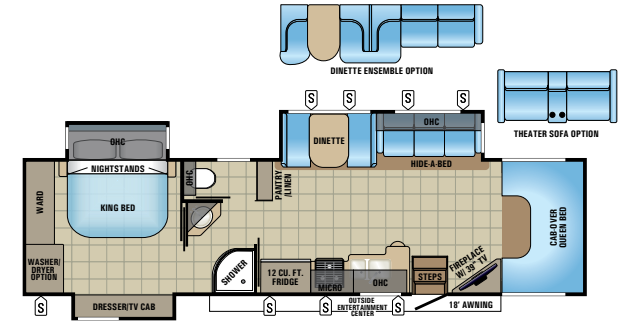




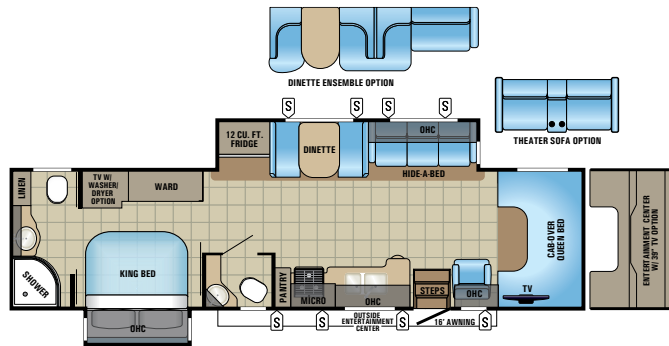
SENECA | 36FK



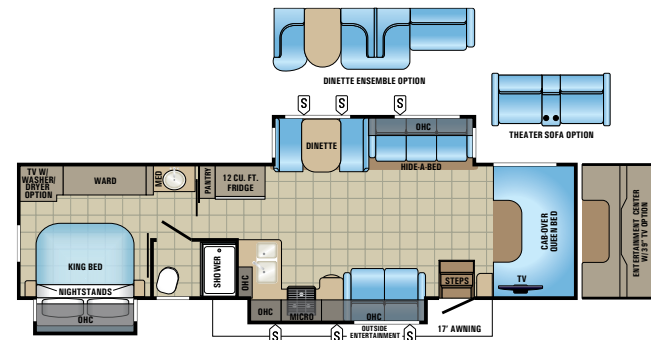
SENECA | 37FS



SENECA | 37HJ



SENECA | 37RB



SENECA | 37TS

## EXTERIOR SELECTIONS



Antique Ivory



Imperial Night



Sundial

**Gross Vehicle Weight Rating (GVWR):** The maximum permissible weight of the motorhome, including the Unloaded Vehicle Weight (UVW) plus passengers, personal items, all cargo, fluids, options and dealer-installed accessories. The GVWR is equal to or greater than the sum of the UVW and the Cargo Carrying Capacity.

**Gross Combined Weight Rating (GCWR):** The maximum allowable combined weight of the motorhome used as a tow vehicle and the attached towed vehicle.

It is important for your safety and enjoyment that you are aware of the weights and tow ratings of the RV you select. Consult a competent advisor for questions or advice. Whether you are new to RVing or a veteran, get a feel for the performance of your RV before heading out on the roadways. When you tow a vehicle with your RV, you must drive differently than when you drive a single vehicle. Practice hooking up, driving, backing up and braking in a safe environment or seek out professional instruction. Jayco affixes a weight label to each RV which lists weight information for that vehicle. Refer to that label to verify the vehicle will meet your requirements.

## STANDARDS AND OPTIONS

### CUSTOMER VALUE PACKAGE

JRide Premium: Rear air suspension, heavy-duty front stabilizer bar, Bilstein® 60mm shock absorbers, full air brakes  
 Pioneer in-dash, capacitive touchscreen, infotainment system with Apple CarPlay™ and Android Auto™  
 Backup/sideview cameras with monitor  
 Frameless windows  
 15,000-BTU A/C (2) with heat pumps  
 2,000-watt pure sine inverter powers main TV, microwave, rear bedroom TV, exterior TV and entertainment center  
 Electric power cord reel with 50-amp service  
 12V electric awning with LED lights  
 12-cubic-foot refrigerator with ice maker  
 Convection microwave  
 Tankless water heater

### STANDARD DRIVING EQUIPMENT

Freightliner® Business Class M2 chassis  
 28,000-pound GVWR  
 33,000-pound GCWR  
 Cummins® ISB 6.7L 340 HP diesel engine  
 Allison® 2500 MH automatic transmission  
 10,000-pound hitch with 7-pin plug  
 74-gallon fuel tank capacity  
 6-gallon DEF tank  
 Dual chassis batteries  
 Alcoa® aluminum rims  
 Michelin® 275/80R 22.5-inch tires  
 Engine exhaust brake  
 Auxiliary start switch  
 Leather-wrapped steering wheel with cruise control  
 Deluxe heated, remote-controlled, sideview mirrors  
 Privacy curtains for cab area

### STANDARD EXTERIOR EQUIPMENT

High-gloss, gelcoat vacuum-bonded, laminated sidewalls, crowned roof and floor  
 Deluxe full-body paint with Diamond Shield™  
 Bead-foam insulation (R-24 max roof, R-9 max floor and R-8 max walls)  
 Seamless one-piece fiberglass cap  
 Fiberglass entrance door with oversized frameless window  
 Keyless entry, touchpad locking system  
 Electric-powered entrance step  
 Slideout awning toppers  
 Dual-pane, tinted, safety-glass windows  
 Exterior entertainment center with AM/FM/CD/DVD player; 39-inch LED TV and 2 speakers  
 Onan® 8,000-watt Quiet Diesel™ generator and auto-gen start  
 Slideout battery tray (4 batteries included)  
 56-pound propane tank  
 Black holding tank sprayer  
 Outside shower  
 Hydraulic automatic-leveling jacks  
 Winegard® in-motion satellite dish  
 Thetford® Sani-Con® Turbo waste management system  
 LP quick-connect hookup

### STANDARD INTERIOR EQUIPMENT

Padded vinyl ceiling  
 Honey Cherry solid-hardwood, raised-panel doors  
 Ball-bearing drawer guides  
 Deluxe hidden cabinet hinges  
 Solid-surface countertops with decorative backsplash  
 Water filtration system  
 Dream Dinette™ mechanism raises/lowers tabletop  
 2-point lap safety belts on all seating areas

Residential-grade linoleum flooring  
 Systems monitor panel  
 High-intensity recessed LED ceiling lights  
 12V electrical system with 120V, 80-amp power converter  
 34,000-BTU auto-ignition furnace with digital wall thermostat  
 Blu-Ray™ with HDMI® connections to all televisions  
 Cable TV hookup with RG-6 coax and video selector switch  
 Residential medicine cabinet with mirror  
 Porcelain stool with foot pedal  
 One-piece fiberglass shower with glass shower door  
 Skylight in shower with light  
 King-size bed with bedspread  
 32-inch LED HDTV in bedroom  
 Full cab-over bunk (750-pound rating)  
 Bunk beds (300-pound rating) (37FS)

### OPTIONS

3 Premium Sikkens Paint options:  
 Antique Ivory, Imperial Night, Sundial  
 Front entertainment center with LED TV (std. on 37HJ)  
 Canadian Shaw® TRAV'LER® satellite dish  
 Winegard TRAV'LER satellite dish - DIRECTV®  
 Dinette ensemble (36FK, 37HJ, 37RB and 37TS)  
 Washer/dryer combo (36FK, 37RB and 37TS)  
 Washer/dryer stackable (37FS and 37HJ)  
 Flexsteel® theater seats

## SPECS

MODELS		DIMENSIONS				TANKS (GALS.)		
FLOORPLAN	EXTERIOR LENGTH	EXTERIOR WIDTH	EXTERIOR HEIGHT (WITH A/C)	INTERIOR HEIGHT	WHEEL BASE	FRESH WATER CAPACITY (INCLUDES WATER HEATER)	GREY WASTE WATER CAPACITY	BLACK WASTE WATER CAPACITY
36FK	38' 6"	101"	13' 1"	84"	268.5"	71.5	40	50
37FS	38' 11"	101"	13' 1"	84"	275"	71.5	40	50.5
37HJ	38' 11"	101"	13' 1"	84"	275"	71.5	40	33
37RB	38' 6"	101"	13' 1"	84"	270.5"	71.5	40 + 50 in secondary tank	32 + 32 in secondary tank
37TS	38' 10"	101"	13' 1"	84"	275"	71.5	40	50

# MAKING MEMORIES THAT LAST GENERATIONS—LET'S JAYCO

Whether you're out for excitement, relaxation or just time together, we take steps others don't to help you stay focused on the fun. No cutting corners here. Let us go the extra mile so you don't have to.



## Meet your Jayco Dealer


Colton RV & Marine  
3122 Niagara Falls Blvd  
North Tonawanda, NY 14120  
(716) 694-0188  
[www.ColtonRV.com](http://www.ColtonRV.com)

Colton RV & Marine  
3443 Southwestern Blvd.  
Orchard Park, NY 14127  
(716) 957-3250  
[www.Coltonrv.com](http://www.Coltonrv.com)

We work hard—so you can play hard. From finding the perfect Jayco for your family to providing flexible financing options and full-service support, we're here to help.

## Follow Jayco



Jayco, Inc., P.O. Box 460, Middlebury, IN 46540, [www.jayco.com](http://www.jayco.com)  See dealer for further information and prices. All information in this brochure is the latest available at the time of publication approval. Jayco reserves the right to make changes and to discontinue models without notice or obligation. Photos in this brochure may show optional equipment and props for photography purposes. RVs built for sale in Canada may differ to conform to Canadian codes. ©2016 Jayco, Inc. 274744 0816-40K Printed in U.S.A.

## THE JAYCO DIFFERENCE

1. **Seamless fiberglass front cap** for increased durability and ultimate weather protection
2. **750-pound overhead bunk capacity** offers nearly 250 pounds more than the industry average for greater safety and peace of mind
3. **Premium Sikkens Paint** gives you a superior, durable finish
4. **50-amp service and auto-generator start** offer an enhanced electrical system for the best in comfort and remote cooling when needed
5. **Seat belts in every seating position** secure the most precious cargo
6. **Fiberglass running boards**
7. **Standard thermal-pane frameless windows**

## Travel with Confidence

**2**  
YEAR  
WARRANTY

At Jayco, we build our RVs to handle every adventure, then back them with our industry-leading 2-year limited warranty. We, with support from our select partners, have you covered for **2 camping seasons**. That's **730 days**. You won't find a better warranty in the business, because the only strings we attach are those that deliver the ultimate in reliability. That's the Jayco difference. So go explore. We have the warranty that will follow you anywhere. For a copy of our 2-year limited warranty with complete terms and conditions, please contact your local Jayco dealer.

**FREE**

ROADSIDE  
ASSISTANCE

A year's access to Coach-Net™—the country's largest RV emergency road service.



**eco** advantage™

## Jayco's long-term commitment to generations of family fun

After five years of increased efforts to eliminate waste, conserve energy and increase recycling, we've come a long way in building RVs that are not only better for your family—but also better for the planet.

Learn more at [Jayco.com/EcoAdvantage](http://Jayco.com/EcoAdvantage)