

CARBON

FIFTH WHEEL & TRAVEL TRAILER TOY HAULERS

Colton RV & Marine
3122 Niagara Falls Blvd
North Tonawanda, NY 14120
(716) 694-0188
www.ColtonRV.com

Colton RV
3443 Southwestern Blvd.
Orchard Park, NY 14127
(716) 957-3250
www.Coltonrv.com



KEYSTONE
RV COMPANY

CAMP BETTER



KEY PERFORMANCE



2023 CARBON | EXCEPTIONAL FEATURES

- 6-POINT HYDRAULIC LEVEL-UP
- INDUSTRY-LEADING 5,000 LB FRAME-WELDED TIE DOWNS
- UPGRADED MOR/RYPDE® 3000 CRE SUSPENSION W/ 1/2" THICK SHACKLES & WET BOLTS
- DEXTER® E-Z LUBE® 7,000 LB. AXLES WITH 12" X 2" SELF-ADJUSTING ELECTRIC BRAKES (6,000 LB FOR TRAVEL TRAILERS)
- F-RATED TIRES
- ONE-PIECE ALPHA SUPER FLEX TPO MEMBRANE WITH ALUMINUM FLASHING
- DYNA SPAN® FLOOR DECKING
- EXTRA TALL ENTRY DOORS (78")
- HITCH VISION™ W/ LED LIGHTING
- OMNI-CHILL™ A/C SYSTEM
- BLADE™ HIGH-PERFORMANCE AIR FLOW SYSTEM
- **NEW** GIRARD TANKLESS WATER HEATER
- SOFT-CLOSE CABINET DOORS
- EXTERIOR CONVENIENCE CENTER
- SOLARFLEX™ 200 AND 400I SOLAR POWER PACKAGES W/ OPTIONAL DRAGONFLY ENERGY LITHIUM-ION BATTERIES



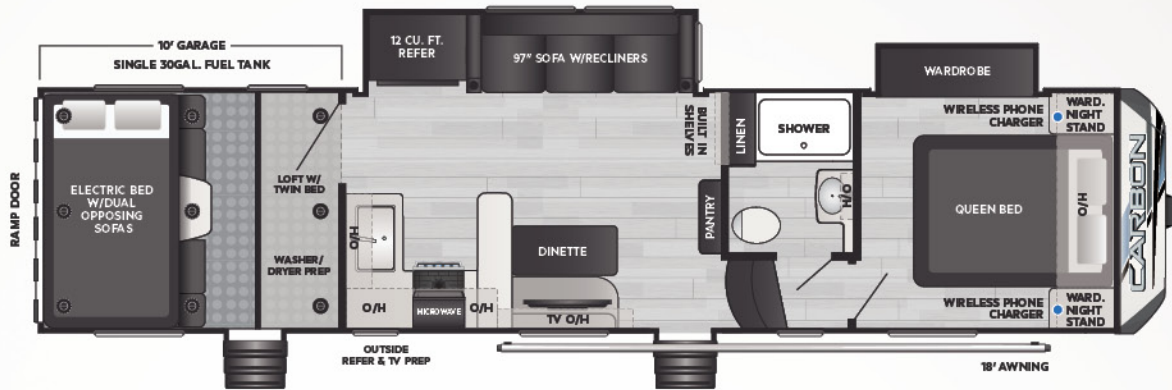
"After our Keystone travel trailer was stolen, we were heartbroken because we loved it so much! But once it came time to purchase another RV, going with Keystone was a no-brainer because of how happy we were with our old model. We chose the Keystone Carbon because of the second bathroom in the Garage and the ramp that folds into a back patio. Traveling part time with little kids, this seemed like a great way to maximize places for them to play!"



@HAUSVONFLOOF — CARBON 358 OWNERS

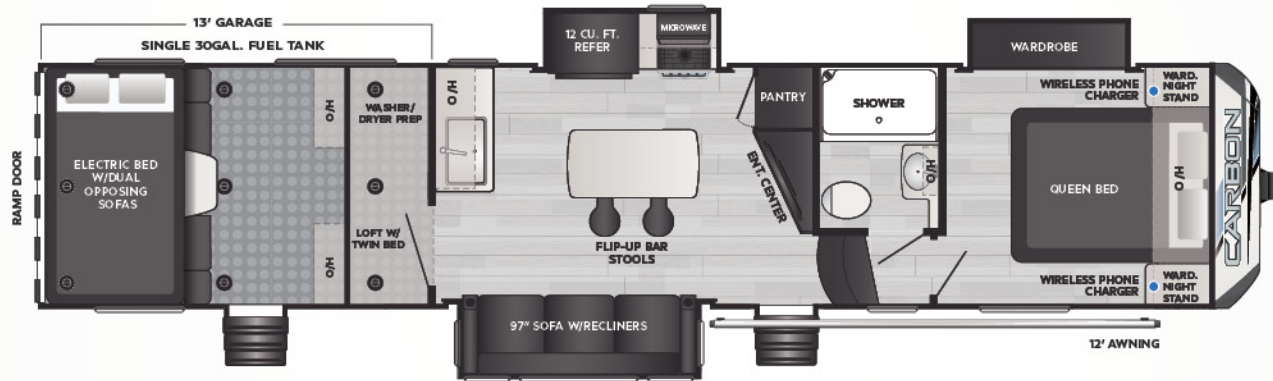
VISIT OUR WEBSITE FOR PHOTOS,
360° TOURS, AND FULL PRODUCT DETAILS





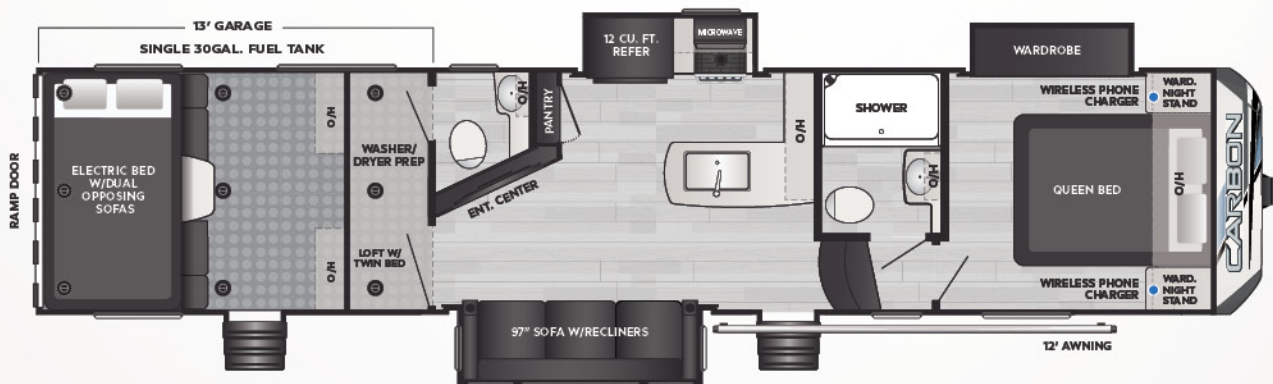
338 WEIGHT 12001 LENGTH 35' 11"

▪ TANDEM AXLE, 10' GARAGE, TWO SLIDES



348 WEIGHT 12821 LENGTH 38' 11"

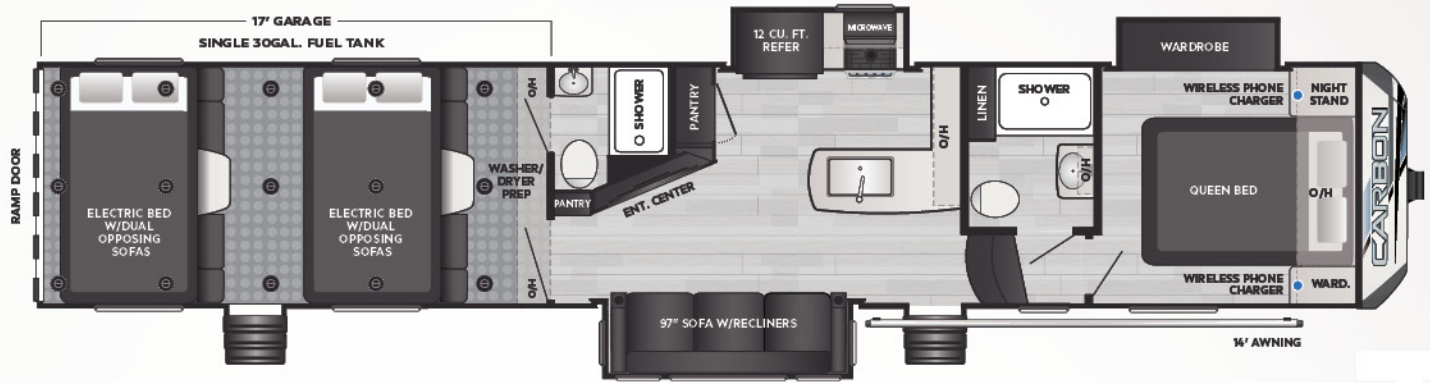
▪ TANDEM AXLE, 13' GARAGE, ISLAND W/ SEATING



358 WEIGHT 12706 LENGTH 38' 11"

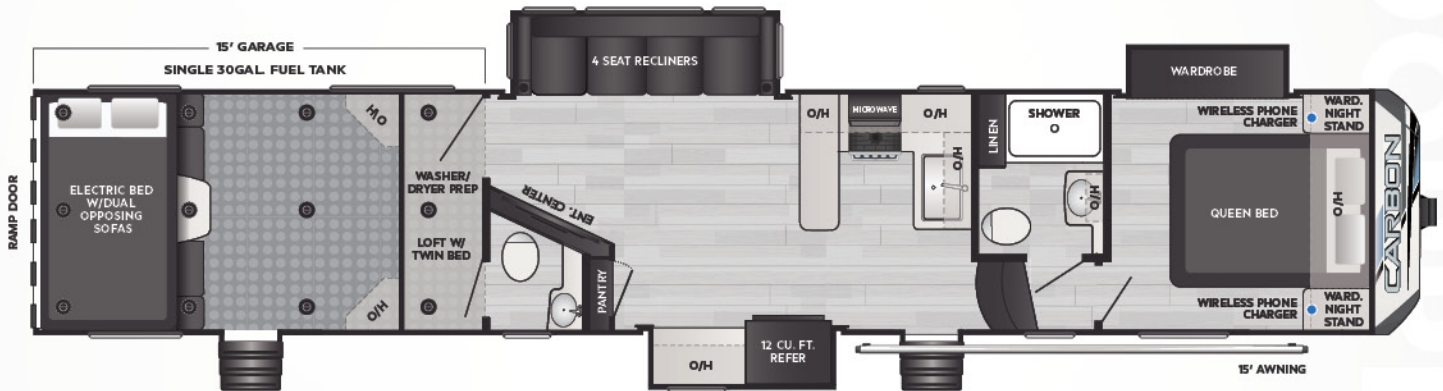
▪ TANDEM AXLE, 13' GARAGE, 1-1/2 BATH

SALES & SERVICE



398 | WEIGHT 14245 | LENGTH 43' 11"

▪ TRIPLE AXLE, 17' GARAGE, 2ND FULL BATH



418 | WEIGHT 14148 | LENGTH 44' 6"

▪ TRIPLE AXLE, 15' GARAGE, U-SHAPED KITCHEN



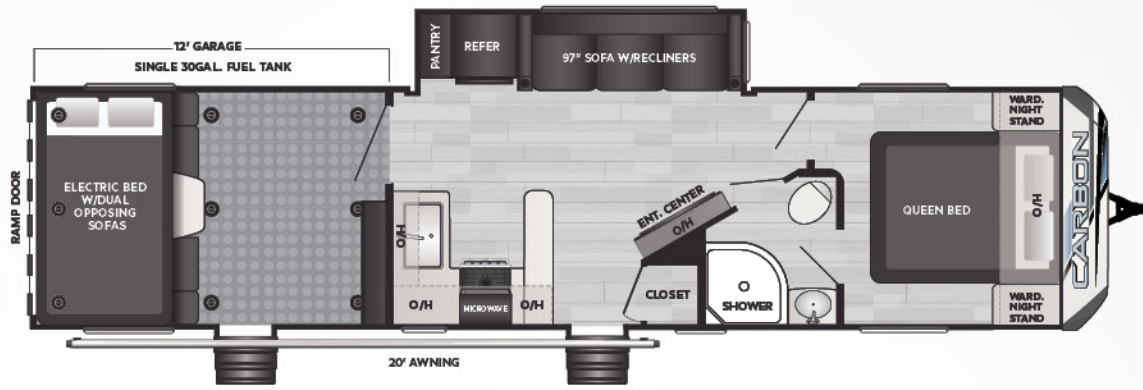
"This toy hauler is my 4th camper purchase. I finally found the right camper to handle all the toys and still have room for friends to come along. I really like this camper."

RICHARD — CARBON 358 OWNER



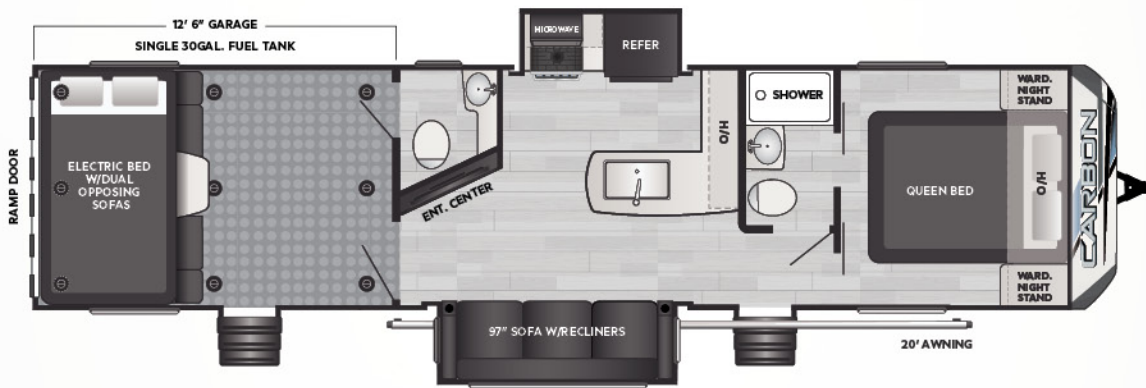
"Keystone definitely went over the top on this toy hauler. It's the closest in interior design to the 5th wheel that we could find. Happy Camping!!"

MICHAEL — CARBON 36 OWNER



35 | WEIGHT 9848 | LENGTH 38' 6"

▪ TANDEM AXLE, 12' GARAGE, U-SHAPED KITCHEN



36 | WEIGHT 10041 | LENGTH 38' 0"

▪ TANDEM AXLE, 12' 6" GARAGE, L-SHAPED KITCHEN

MODEL	WEIGHT	CARRYING CAPACITY	HITCH WEIGHT	FRESH WATER**	WASTE WATER	GRAY WATER	LPG	LENGTH*	WIDTH	HEIGHT	AWNING
338	12001	4819	2820	94	44	82	60	35' 11"	8' 4"	13' 2"	18'
348	12821	4179	3130	94	44	82	60	38' 11"	8' 4"	13' 2"	12'
358	12706	4294	3175	94	82	44	60	38' 11"	8' 4"	13' 2"	12'
398	14245	4755	3780	94	82	82	60	43' 11"	8' 4"	13' 6"	12'
418	14148	4852	3525	94	82	82	60	44' 6"	8' 4"	13' 6"	15'
35	9848	3152	1535	94	38	76	60	38' 6"	8' 4"	12' 4"	20'
36	10041	2959	1720	94	76	38	60	38' 0"	8' 4"	12' 4"	20'

SUNVALLEY CARAVANS



TAKE CHARGE OF HOW YOU CAMP

EXCEPTIONAL QUALITY, IMPOSSIBLY VERSATILE, SolarFlex™ IS SHATTERING CUSTOMER'S EXPECTATIONS OF FACTORY-INSTALLED SOLAR POWER. EXCLUSIVELY AVAILABLE ON ALL KEYSTONE RV MODELS.



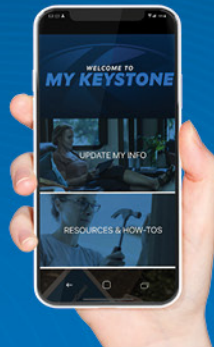
Relieve battery anxiety with legendary Lithium-ion deep cycle batteries – the ultimate replacement for lead acid. Lightweight, reliable, and longer-lasting, Dragonfly Energy batteries are made in the USA and available exclusively from Keystone RV and authorized dealers.

MY KEYSTONE OWNER'S APP

THE ONLY APP YOU'LL NEED...

» MANUALS & QUICK START GUIDES

» HOW-TO VIDEOS



» FIRST-TIME CAMPER'S ADVICE

» ACCESS TO YOUR RV'S MOBILE APPS

Available for iOS and Android devices.



FOLLOW US FOR THE LATEST!



DISCLAIMER: Product Information is as accurate as possible as of the date of publication of this brochure. All features, floor plans, and specifications in this brochure are subject to change without notice. Please also consult Keystone's web site at www.keystonerv.com for more current product information and specifications. Tow Vehicle Disclaimer. CAUTION: Owners of Keystone recreational vehicles are solely responsible for the selection and proper use of tow vehicles. All customers should consult with a motor vehicle manufacturer or their dealer concerning the purchase and use of suitable tow vehicles for Keystone products. Keystone disclaims any liability or damages suffered as a result of the selection, operation, use or misuse of a tow vehicle. KEYSTONE'S LIMITED WARRANTY DOES NOT COVER DAMAGE TO THE RECREATIONAL VEHICLE OR THE TOW VEHICLE AS A RESULT OF THE SELECTION, OPERATION, USE OR MISUSE OF THE TOW VEHICLE. *Length is defined as the distance from the centerline of hitch pin/coupler to rear bumper of trailer. ** Fresh water capacity includes water heater. Please review owner's manual prior to purchase for more information on service warranties, extended use, towing and maintenance. Owner's manuals can be found at keystonerv.com.

PRINT 09.2022