



Generations of family fun.

SENECA



CLASS C MOTORHOME

SENECA



POWER AND LUXURY COMBINED

2+3
YEAR | YEAR
WARRANTY



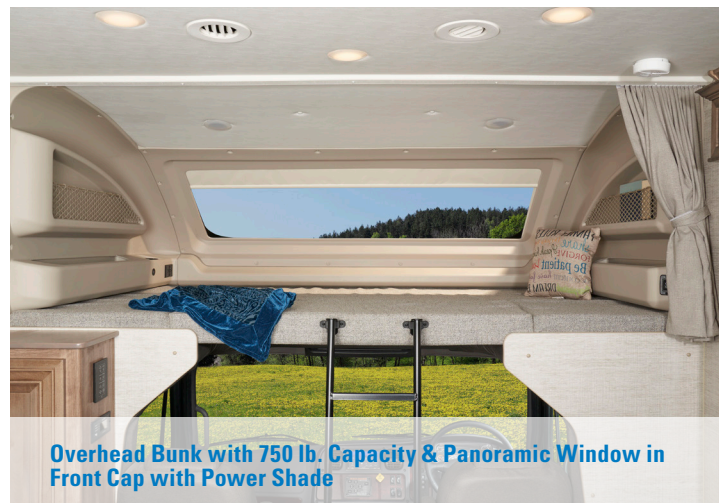
Seneca 37M Shown in Richmond Interior Design



China Hutch Featuring 40" Furrion® Electric Fireplace



Bedroom with Walk-Around King-Sized Bed, Overhead Storage & LED TV



Overhead Bunk with 750 lb. Capacity & Panoramic Window in Front Cap with Power Shade



Kitchen Featuring 21 Cu. Ft. Electric Refrigerator, Furrion® Recessed Gas Cooktop with Cast Iron Grill & Convection Microwave



Seneca Dash Featuring Sony® Infotainment Center with Apple® Carplay™ & Android Auto™



Carpeted, Full Pass-Through Storage Compartments with Lockable Slam Latches

Raised-Panel Hardwood Cabinetry, LED-Lit Hardwood Fascia & High-Intensity Recessed LED Lights



[Click here to visit gallery on website](#)

LUXURY AND LEISURE

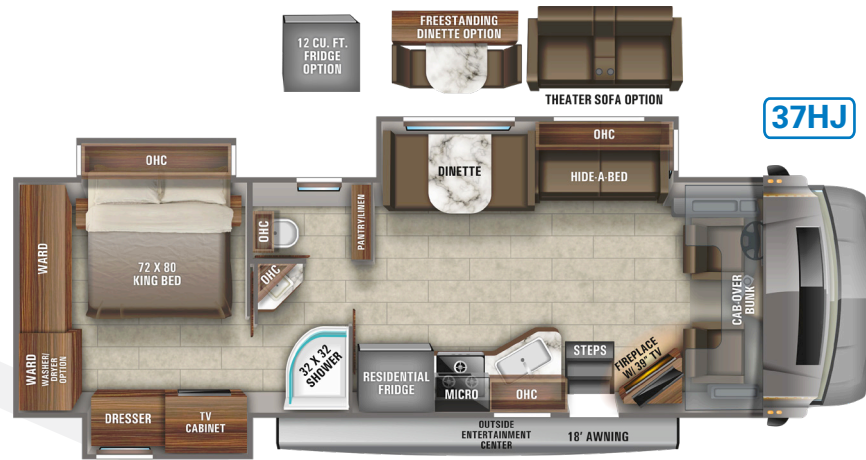
Top notch interior and exterior features with four new full-body paint options make the 2021 Seneca C diesel RV the ultimate companion for your next road trip.



Bathroom Featuring One-Piece, Fiberglass Shower with Glass Door & Recessed LED-Lit Stainless Steel Sink

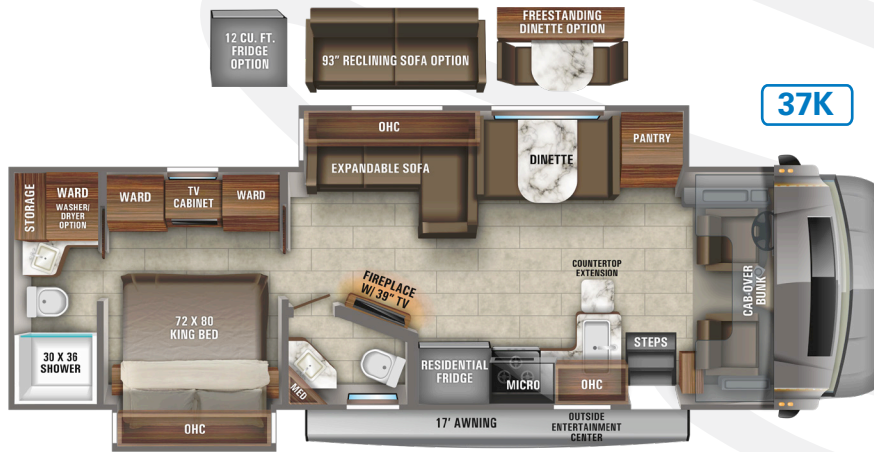
SENECA FLOORPLANS

There's sure to be a spacious Seneca floorplan that will make you feel right at home.



Ext. Lgth: **39' 4"** Wheelbase: **279"** GVWR: **31,000 lbs.**

\$
Click here to build & price your RV



Ext. Lgth: **39' 4"** Wheelbase: **279"** GVWR: **31,000 lbs.**

360°
Click here to view 360° tour

\$
Click here to build & price your RV

SPECS

| MODEL | FLOORPLAN | EXTERIOR LENGTH | EXTERIOR WIDTH | EXTERIOR HEIGHT (WITH A/C) | INTERIOR HEIGHT | WHEEL BASE | FRESH WATER CAPACITY (GAL.) | GRAY WASTE WATER CAPACITY (GAL.) | BLACK WASTE WATER CAPACITY (GAL.) |
|--------|-----------|-----------------|----------------|----------------------------|-----------------|------------|-----------------------------|----------------------------------|-----------------------------------|
| SENECA | 37HJ | 39' 4" | 101" | 13' 4" | 84" | 279" | 72 | 40 | 33 |
| | 37K | 39' 4" | 101" | 13' 4" | 84" | 279" | 72 | 51 | 40 |
| | 37L | 39' 4" | 101" | 13' 4" | 84" | 279" | 72 | 50/31 | 50 |
| | 37M | 39' 4" | 101" | 13' 4" | 84" | 279" | 72 | 50/31 | 50 |
| | 37RB | 39' 4" | 101" | 13' 4" | 84" | 279" | 72 | 40 | 33 |
| | 37TS | 39' 4" | 101" | 13' 4" | 84" | 279" | 72 | 40 | 50 |

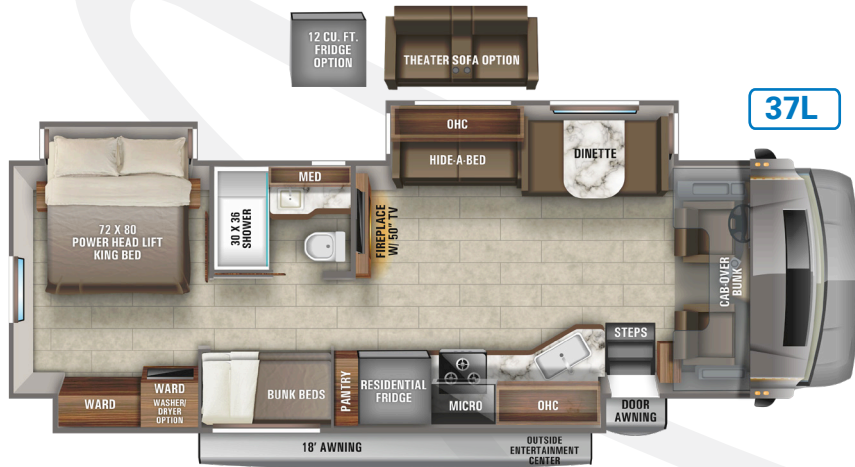
T
Click here for specification definitions

360°

Click here to view 360° tour



Click here to build & price your RV



37L

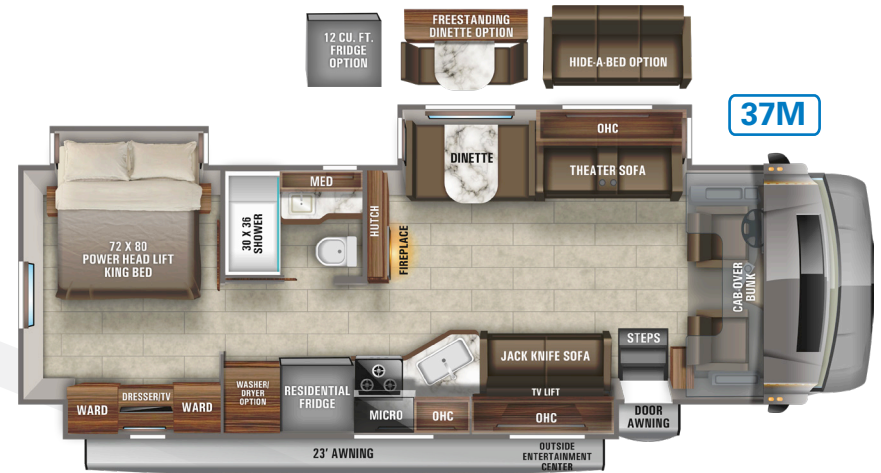
Ext. Lgth: 39' 4" Wheelbase: 279" GVWR: 31,000 lbs.

360°

Click here to view 360° tour



Click here to build & price your RV



37M

Ext. Lgth: 39' 4" Wheelbase: 279" GVWR: 31,000 lbs.

360°

Click here to view 360° tour



Click here to build & price your RV



37RB

Ext. Lgth: 39' 4" Wheelbase: 279" GVWR: 31,000 lbs.

360°

Click here to view 360° tour



Click here to build & price your RV

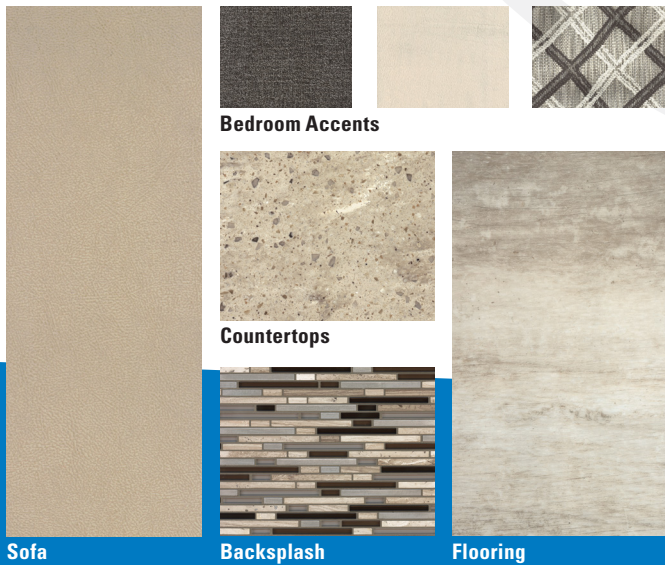


37TS

Ext. Lgth: 39' 4" Wheelbase: 279" GVWR: 31,000 lbs.

TRUE INTERIOR DESIGN. MORE CHOICE. MINDFUL CRAFTSMANSHIP.

Say goodbye to simple RV "decor" and hello to interior design.

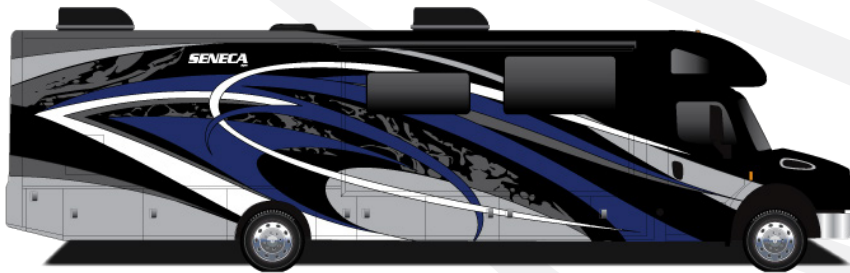


PROVIDENCE INTERIOR DESIGN

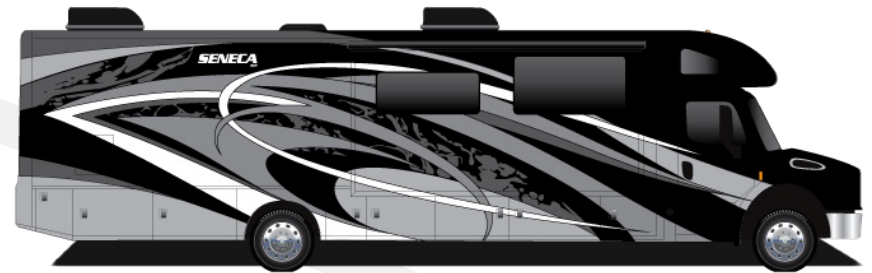
RICHMOND INTERIOR DESIGN

PREMIUM EXTERIORS

Jayco's premium full-body paint schemes are not only eye catching, but durable and easy to maintain.



BLUE-SPRUCE FULL-BODY PAINT



ACADIA FULL-BODY PAINT



MAHOGANY FULL-BODY PAINT



YELLOWWOOD FULL-BODY PAINT

MORE STANDARDS. LESS OPTIONS.

The Seneca is full of features to make your next camping trip convenient, comfortable and fun.



CUSTOMER VALUE PACKAGE

JRIDE® PREMIUM: Rear air suspension, heavy-duty rear stabilizer bar, full air brakes, Bilstein® shocks
One-piece, seamless, fiberglass front and rear caps
Automotive-bonded, panoramic window in front cap with power shade
Dual-pane, tinted, safety-glass windows
15,000 BTU A/C unit with heat pump and second 13,500 BTU A/C unit
Electric patio awning with LED lights
2,000-watt pure sine wave inverter
Power cord reel with 50-amp service
10 gal. gas/electric water heater
Sony® infotainment center Apple® CarPlay and Android Auto™
Backup and side-view cameras
21 cu. ft. residential refrigerator with ice and water in door
Convection microwave

STANDARD DRIVING EQUIPMENT

Freightliner® S2RV chassis
GVWR - 31,000 lb.
GCWR - 43,000 lb.
Cummins® ISB 6.7L 360 HP diesel engine with 800 ft.-lb. torque
Allison® 3000 MH automatic transmission
185-amp alternator
G-rated highway tires- 275/80R22.5
Alcoa® aluminum rims
Engine exhaust brake
12,000-lb. rear hitch receiver
7-pin plug
Dual 12V chassis batteries
100 gal. fuel tank
10 gal. DEF tank
Deluxe heated, remote-controlled, side-view mirrors
Power driver and passenger seats
Driver and passenger air bags
Power windows and door locks
Tilt steering wheel
A/C and cruise control

Auxiliary start switch
Privacy curtains for cab area

STANDARD EXTERIOR EQUIPMENT

StrongholdVBL™ vacuum-bond laminated roof, floor and sidewalls
Bead-foam insulation (R-24 max roof, R-9 max floor and R-8 max walls)
One-piece, seamless, crowned fiberglass roof
Premium Sikkens full-body paint
Automatic hydraulic leveling jacks
Entrance door with industry's largest travel view window
Electric-powered entrance step
Slideout cover awnings
Exterior entertainment center with outside speakers, LED TV mounted on swivel bracket and single-disc DVD/CD/AM/FM radio
Winegard® In-motion satellite dish
Carpeted, full pass-through storage compartments with lockable, Slam-latch™ doors
24.5 gal. propane tank (83 lb.)
LP quick-connect hookup
Thetford® Sani-Con Turbo Macerator system
Exterior utility center
Winterization drain system
Black tank flush
Outside shower
12V demand water pump
Onan® 8,000-watt Quiet Diesel generator and auto-gen start
(4) 6V AGM (220Ah) house batteries on slideout tray
Solar prep
Flush-mount LED marker lights
Third brake light
Porch light

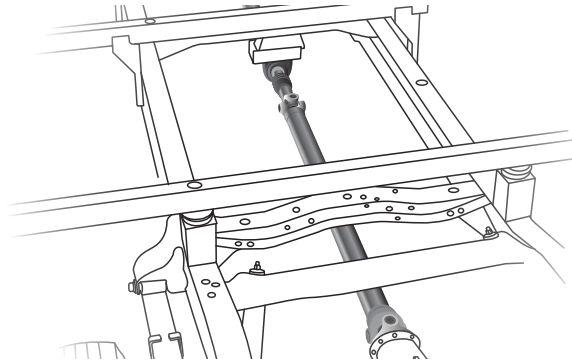
STANDARD INTERIOR EQUIPMENT

Custom-molded ABS surround in cab-over area
Overhead bunk with 750 lb. capacity
JAYCOMMAND® powered by Firefly
84 in. interior ceiling height with padded vinyl ceiling

High-intensity, recessed LED ceiling lights
Tile-like vinyl flooring
Raised-panel, hardwood cabinetry throughout
Deluxe hidden cabinet hinges
Ball-bearing drawer guides
Jayco-exclusive, easy-operation legless dinette table
2-point lap safety belts in all designated seating locations
34,000 BTU auto-ignition furnace
Furrion® electric fireplace (N/A 37TS)
LED TV in living area
Blu-Ray™ with HDMI® connections to all televisions
Cable TV hookup with RG-6 coax and video selector switch
Furrion® stainless, recessed gas cooktop with cast iron grill
LED-lit, solid-surface kitchen countertops with integrated stainless steel sink and sink covers
Pull-out countertop extension (select models)
Decorative kitchen backsplash
Water filtration system
One-piece, fiberglass shower with glass door, skylight and light
Porcelain toilet with foot flush
LED-lit, stainless-steel bathroom sink
Powered roof vent in bathroom with wall switch
Walk-around King-sized bed with bedspread and nightstands
Under-bed storage (select models)
LED TV in bedroom
Large wardrobes
Bunks with industry-exclusive 300 lb. capacity each (37L)
Smoke alarm
Carbon monoxide detector

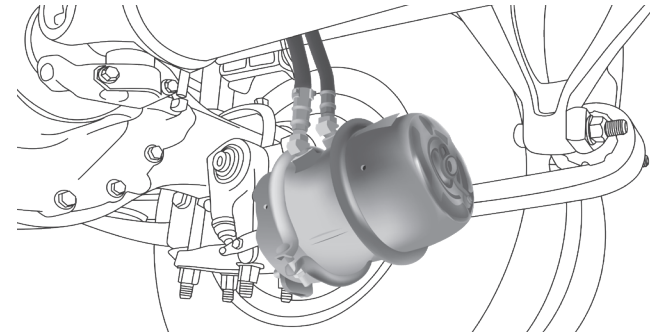
OPTIONS

Power theater seating (N/A 37K)
93 in. straight reclining sofa (37K)
Freestanding table with 4 chairs
12 cu. ft. gas/electric, 4-door refrigerator
Combination washer/dryer (37K, 37L, 37RB & 37TS)
Stackable washer/dryer (37HJ only)
Canadian Shaw® TRAV'LER® satellite dish
Winegard® TRAV'LER® satellite dish - DIRECTV®



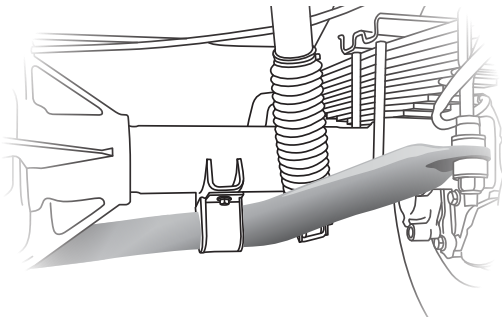
COMPUTER-BALANCED DRIVESHAFT

Ensures smooth and efficient power transfer to the wheels



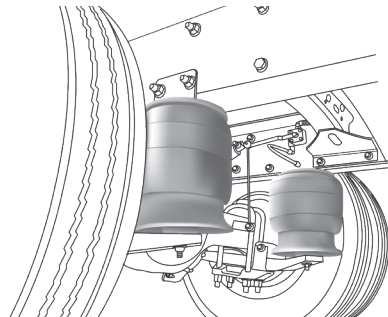
FULL AIR BRAKES

Deliver robust stopping power, even on grades



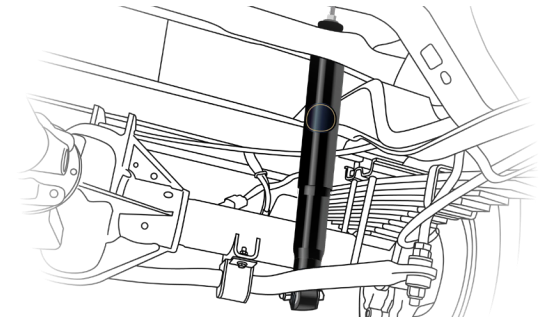
HEAVY-DUTY REAR STABILIZER BAR

A larger bar and polyurethane bushings, instead of rubber, transfer power faster for extra support, more stability and easier handling



REAR AIR SUSPENSION

Softens ride and improves handling



SACHS SHOCK ABSORBERS

Large-diameter tube design pairs gas and hydraulics to resist heat and pressure while independently adjusting to changing road conditions

RIDE & HANDLING. DEFINED.

At Jayco, we believe the journey is just as important as the destination, which is why we engineered an industry-first Ride and Handling package - Jayco exclusive JRide®. Packed with ride-enhancing upgrades, get ready for a drive that'll move you.



THE JAYCO DIFFERENCE



2+3
YEAR YEAR
WARRANTY



[Click here to learn more!](#)

1 Jayco 2+3 Warranty

A quality warranty represents huge value. Of course it saves you money in case there's a manufacturer defect, but it also represents a lot more. The longer and more complete the warranty a manufacturer offers, the more confidence they have in their work - the higher quality product and more value you'll be taking home.

Jayco's warranty is the best in the RV business. The two-year limited warranty is twice as long as the industry standard, keeping you covered for two full camping seasons. Add to that the three-year limited structural warranty and you've got the most complete coverage, coverage that provides a peace of mind.



[Click here to learn more!](#)

2 STRONGHOLD VBL™ laminated walls

Jayco's exclusive STRONGHOLD VBL (vacuum-bond lamination) wall construction process uses vacuum bonding to combine laminated fiberglass with welded aluminum framing, metal backers, decorative interior wall panels, and fiberglass exterior siding. This super-durable structure is designed specifically for heavy use and travel while still reducing weight. Simply put, Jayco's Stronghold VBL construction lessens the chance of delamination and stands up to the elements longer.



[Click here to watch video](#)

3 The JRide® ride and handling package

In a motorhome, the adventure does not begin and end at the campsite; the ride to and from camp is an important part of the journey, which is why comfort is a top priority at Jayco. Improving the journey is what inspired our exclusive JRide packages, which offer a powerful blend of precise handling and renowned stability. These important additions make your trip more comfortable without the need for expensive aftermarket upgrades.



4 Safety belts in every designated seating location

Everyone would agree the most precious cargo is the loved ones you travel with. Jayco installs stress-tested seatbelts in every designated seating location to ensure the safety of your entire family. In a Jayco motorhome, you won't have to put anyone at risk due to limited safety belts.



7 Third brake light and backup cameras

Backing up a motorhome is unlike backing up your everyday vehicle. It can be expensive, tricky and even impossible to retrofit some motorhomes with additional safety signals or rearview cameras. At Jayco, backup cameras and third brake lights are installed on each and every motorhome. These features allow you to navigate with ease, while helping deliver you to your camping destination safely.



10 Solar hookups, LED lighting

It's not only environmentally friendly, but solar hookups reduce the cost and load of electrical use in your RV at camp. More and more motorhomes are equipped with solar hookups or prepped for easy installation. LED lights are another energy saving option many RVs offer. Both solar prep and LED lights will be found on all Jayco motorhomes.

750-lbs.

Jayco's Overhead Bunk Capacity

300-lbs.

Jayco's Standard Bunk Capacity

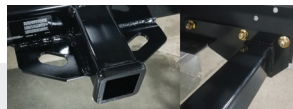


5 Unbeatable bunk ratings

Overhead bunks are a great way to add extra sleeping space without impacting the layout of a motorhome. Unfortunately, customers in competing coaches often have to be very careful about who sleeps in the overhead bunk, or what gear is stored there, due to weight limits of 350-500 lbs.

Jayco has designed our overhead bunks to hold 750 lbs.- this is 250 lbs. more than any of our competitors. In a Jayco overhead bunk, two adults can comfortably rest and relax, or you can safely read a book to your kids at night.

Jayco's superior bunk capacities extend beyond the overhead bunks, with a capacity of 300 lbs. in each standard bunk, as well.



8 Towing Capabilities

The ability to tow a small trailer or vehicle is one of the top perks of owning a motorhome. While this is an important feature, not all manufacturers are created equal regarding towing capacities.

Jayco engineers motorhomes with a tongue capacity at ten percent of the tow capacity, which is the optimal ratio. In turn, this allows the customers to tow more, without the need for a weight distribution hitch.



11 Strong Roof

Not only is a strong roof important because it's key to the overall structural integrity of a unit, but also for maintenance purposes. The roof may need some TLC throughout the camping season. The ability to safely walk on the roof to perform some simple cleaning and sealant maintenance, is a huge perk for Jayco owners. Not to mention how it can endure a surprisingly heavy snowfall or falling tree limb.



6 One-piece, seamless front cap

The front cap of a motorhome bears the brunt of road travel. Seams along the front and sides of the front cap create ample opportunities for water intrusion, where rain and debris are hitting hardest during travel. A poorly built front cap can lead to unsightly wear and tear, as well as unwanted time in service bays.

Jayco's front cap sets the bar in the industry as the only one-piece seamless cap available. This industry-exclusive cap resists water damage from moisture and debris better than the competition, which reduces the chances of costly repairs and time off the road.



9 Resale Value

Most RV owners will upgrade their rig at some point in their camping lifetime. The list of hidden value items discussed above improves the longevity of a Jayco, which increases resale value. Also, when establishing a trade-in value, motorhomes are valued by their base price only. Any optional equipment will not be included in this number. Jayco motorhomes come packed full of standard features, with very few items left to option in. By building desired options into the base price of the coach as standard features, rather than adding them as options, Jayco builds a higher resale value into their motorhomes. This leads to a better return on your hard-earned investment.

WE GO TO GREAT LENGTHS TO BUILD BETTER RVs

You can count on our motorhomes - and our focus on family fun - to go the distance. So you can maximize every moment, no matter where the journey takes you. These are the extra steps we take to set our RVs apart.

WHY YOUR LOCAL DEALER IS YOUR GREATEST ASSET



Before purchasing an RV of your own, you need to explore, touch and test drive one for yourself. From the sales experience to service after the sale, we consider our dealers to be an important part of the Jayco family. Establishing a strong relationship with your local Jayco dealer is a key factor in the enjoyment of your new unit for more than just the buying stage.

Colton RV
North Tonawanda, NY 14120
(716) 694-0188
(800) 628-4889
www.ColtonRV.com

Colton RV
Orchard Park, NY 14127
(716) 957-3250
(800) 628-4889
www.Coltonrv.com

Whatever stage of RV ownership you find yourself in, your local Jayco dealer is your greatest advantage. Creating a lasting relationship with them will benefit you and your RVing experience for years to come. So go ahead, locate your nearest dealer and see what they can do for you!



Research: The initial research that goes into choosing an RV can be overwhelming and with so many different options, how will you narrow it down? Having a local dealer who is knowledgeable and can answer all of the questions you will inevitably have as well as make helpful suggestions will make the buying experience a positive one. From towing weights and cargo capacity to living space and in-unit technology, your Jayco dealer will have all the information you need to make an informed decision and pick out the unit that fits your wants and needs.



Sale: Once you have decided which RV is right for you, signing the papers and picking up your new Jayco comes next; a huge step that should be an exciting and smooth process for you. The last thing you want when you're making this kind of commitment is to feel that you're being taken for a ride. It's comforting having someone behind you that ensures your needs are being met as the sale progresses. The luxury of your dealer walking you through each step will give you the peace of mind that all of your bases will be covered.



Post-Sale: After the sale, maintaining a strong relationship with your local dealer has tons of benefits that will come in handy. Most dealers offer after-sale service on your coach that will make it easier to get fixes or upgrades so you can spend less time waiting and more time exploring. Having them just a short drive from you is just an added bonus that will make your experience so convenient and enjoyable.

