



**Jayco**

Generations of family fun.

# ALANTE



CLASS A MOTORHOME

ALANTE



**COMFORT MEETS DEPENDABILITY**

**2+3**  
YEAR | YEAR  
WARRANTY

# ALANTE



Alante 27A Shown in Bridgeport Interior Design



Alante 31V Shown in Modern Farmhouse Interior Design



Optional Drop-Down Overhead Bunk with 750 lb. Capacity



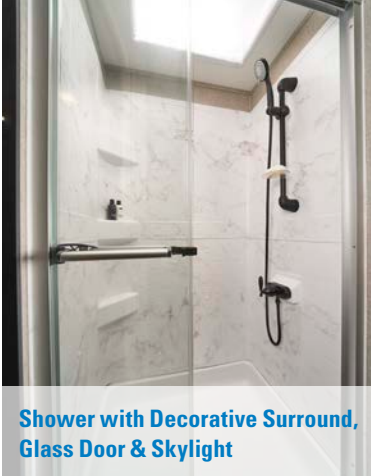
Spacious Kitchen Featuring Furrion® All-In-One Cooktop & Oven, Residential-Sized Microwave & Optional 12 Cu. Ft. Gas/Electric Refrigerator



Soft-Touch, Vinyl-Wrapped Automotive Dash with Sony® Infotainment Center



Walk-Around, Queen-Sized Bed with Overhead Storage & Nightstands



Shower with Decorative Surround, Glass Door & Skylight



Bathroom Features Recessed Stainless Steel Sink, Double Mirrored Medicine Cabinets



Bedroom Wardrobe Features Abundant Storage & Optional LED TV

Alante 31V Shown in Modern Farmhouse Interior Design



[Click here to visit gallery on website](#)

## GET OUT THERE

Jayco's shortest Class A motorhome, fun is just around the corner in the comfortable and carefully crafted Alante.



Alante 27A Shown in Bridgeport Interior Design

# ALANTE FLOORPLANS

Find the floorplan that best suits you and your travel companions. All are available with the popular Modern Farmhouse decor.



26X

**360°**  
Click here to view 360° tour

**\$**  
Click here to build & price your RV

Ext. Lgth: **28' 5"** Wheelbase: **178"** GVWR: **16,000 lbs.**



27A

**360°**  
Click here to view 360° tour

**\$**  
Click here to build & price your RV

Ext. Lgth: **29' 11"** Wheelbase: **190"** GVWR: **18,000 lbs.**

## SPECS

MODEL	FLOORPLAN	EXTERIOR LENGTH	EXTERIOR WIDTH	EXTERIOR HEIGHT (WITH A/C)	INTERIOR HEIGHT	WHEEL BASE	FRESH WATER CAPACITY (GAL.)	GRAY WASTE WATER CAPACITY (GAL.)	BLACK WASTE WATER CAPACITY (GAL.)
ALANTE	26X	28' 5"	101"	12' 5"	84"	178"	53	40	32
	27A	29' 11"	101"	12' 5"	84"	190"	72	50	49
	29F	31' 4"	101"	12' 5"	84"	190"	72	40	50
	29S	32' 2"	101"	12' 5"	84"	190"	72	40	49
	31V	32' 2"	101"	12' 5"	84"	190"	72	40	50

**TTTTT**  
Click here for specification definitions



**29F**

**360°**  
Click here to view 360° tour

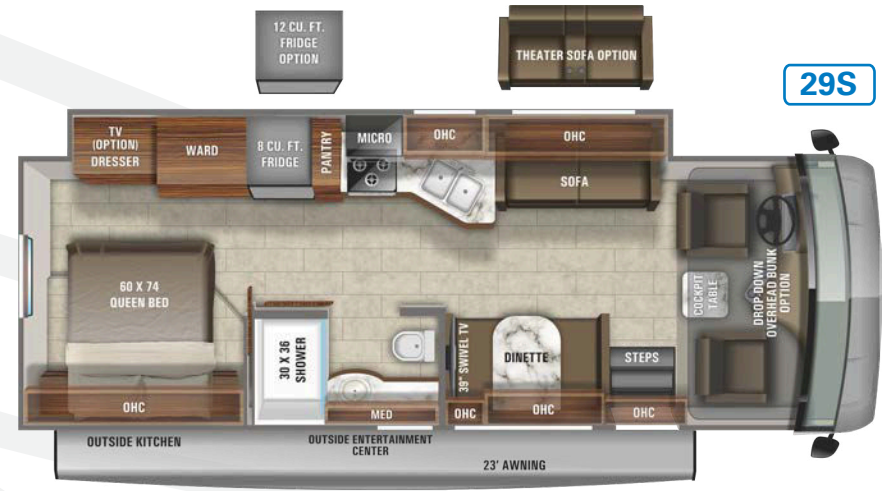
**\$**  
Click here to build & price your RV

12 CU. FT. FRIDGE OPTION

Ext. Lgth: **31' 4"** Wheelbase: **190"** GVWR: **18,000 lbs.**

**360°**  
Click here to view 360° tour

**\$**  
Click here to build & price your RV

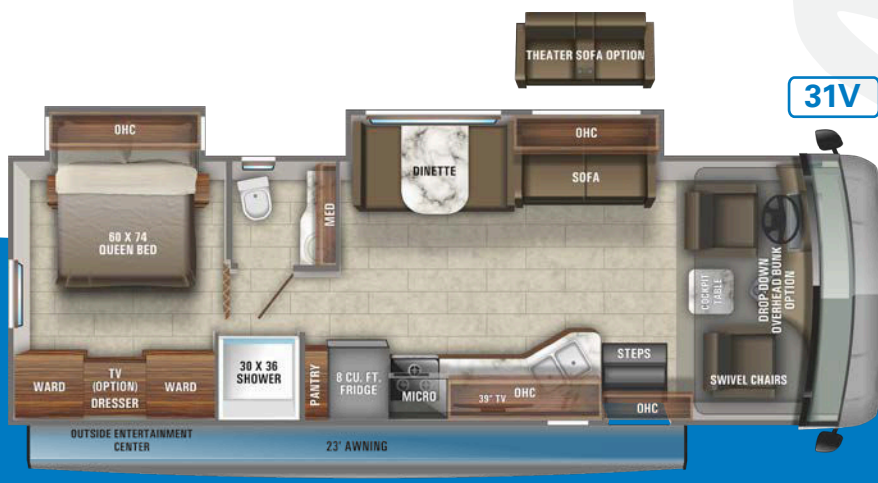


**29S**

Ext. Lgth: **32' 2"** Wheelbase: **190"** GVWR: **18,000 lbs.**

**360°**  
Click here to view 360° tour

**\$**  
Click here to build & price your RV



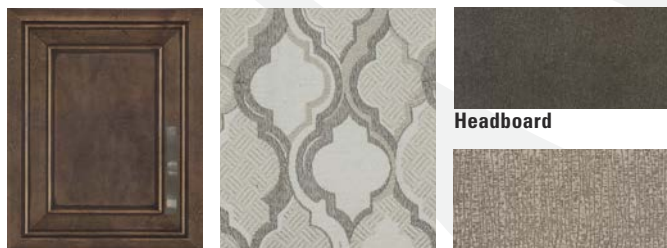
**31V**

Ext. Lgth: **32' 2"** Wheelbase: **190"** GVWR: **18,000 lbs.**

12 CU. FT. FRIDGE OPTION

# TRUE INTERIOR DESIGN. MORE CHOICE. MINDFUL CRAFTSMANSHIP.

Say goodbye to simple RV "decor" and hello to interior design.

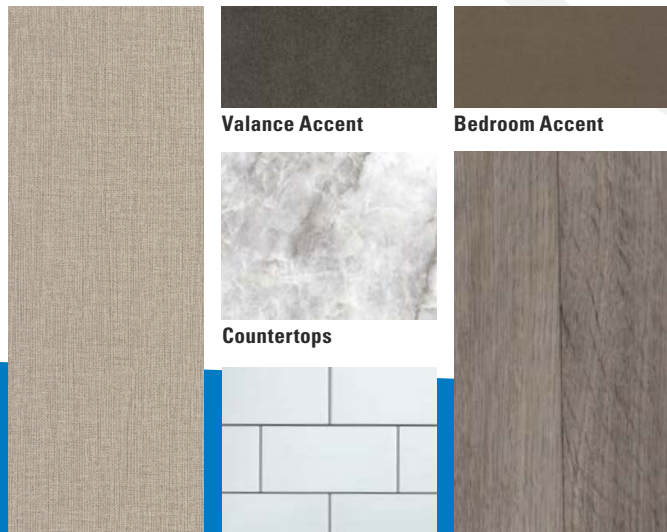


Cabinet Doors

Valance

Headboard

Bedsprad



Sofa

Valance Accent

Bedroom Accent

Countertops

Backsplash

Flooring



[Click here to learn more!](#)

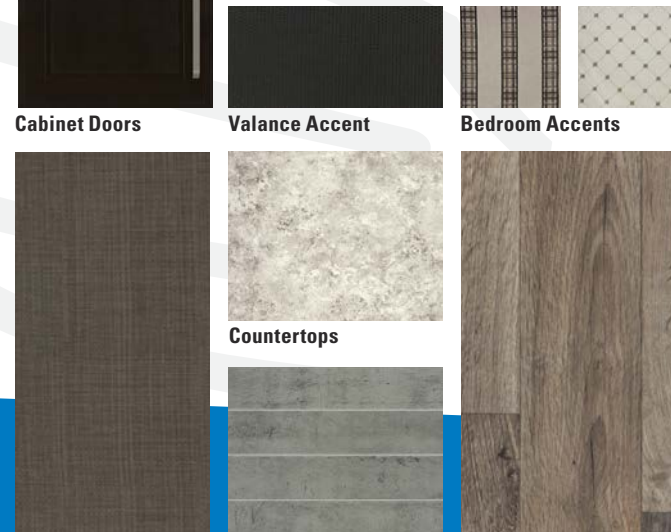


Cabinet Doors

Valance

Headboard

Bedsprad



Sofa

Valance Accent

Bedroom Accents

Countertops

Backsplash

Flooring

**BRIDGEPORT INTERIOR DESIGN**

**MODERN FARMHOUSE INTERIOR DESIGN**



Click here to view Standards & Options on website

# MORE STANDARDS. LESS OPTIONS.

The Alante is full of features to make your next camping trip convenient, comfortable and fun.

## CUSTOMER VALUE PACKAGE

- JRIDE®: Computer-balanced driveshaft, jounce bumpers, heavy-duty front and rear stabilizer bars, SACHS shocks
- One-piece, seamless, crowned fiberglass roof
- Exterior entertainment center with outside speakers, LED TV mounted on swivel bracket and single-disc DVD/FM radio
- Electric patio awning with LED lights
- Slideout cover awnings
- 1,000-watt inverter
- Sony® infotainment center Apple® CarPlay™ and Android Auto™
- Backup and side-view cameras
- Removable driver/passenger cockpit table
- LED living room TV
- Blackout night roller shades

## STANDARD DRIVING EQUIPMENT

- Ford® F53 chassis
- GVWR - 16,000 lb. (26X), 18,000 lb. (27A, 31V, 29S & 29F)
- GCWR - 23,000 lb.
- 7.3L V-8 350 HP engine with 468 ft. - lb. torque
- 6-speed automatic TorqShift® transmission with overdrive and tow haul mode
- 210-amp alternator
- G-rated highway tires - 245/70R19.5
- Front and rear disc, 4-wheel anti-lock brakes
- 5,000 lb. rear hitch receiver with dual connector
- 7-pin plug
- 12V chassis battery
- 80 gal. fuel tank
- 120 in. panoramic windshield
- 6-way power driver seat
- Swivel driver and passenger seats
- Soft-touch, vinyl-wrapped automotive dash
- Tilt steering wheel
- A/C and cruise control

## STANDARD EXTERIOR EQUIPMENT

- StrongholdVBL™ vacuum-bond laminated roof, floor and sidewalls
- Bead-foam insulation (R-24 max roof, R-9 max floor, R-5 max walls)
- One-piece, seamless, fiberglass front cap
- Fiberglass exterior walls with vinyl graphics
- Automatic hydraulic leveling jacks
- Frameless windows
- Remote keyless entry
- Entrance door with industry's largest travel view window
- Electric-powered entrance step
- Lockable, pass-through storage compartments with slam latches
- Heated holding tanks (12V pads)
- 16.5 gal. propane tank (56 lb.)
- LP quick-connect hookup
- Exterior utility center
- Winterization drain system
- Outside shower
- 12V demand water pump
- Onan® Marquis Gold Genset 4,000-watt generator
- 30-amp electrical service
- 12V house battery
- Solar prep
- Flush-mount LED marker lights
- Third brake light
- Porch light
- 4 in. tube bumper with sewer hose storage

## STANDARD INTERIOR EQUIPMENT

- Power front privacy shade with manual side privacy shades
- 84 in. interior ceiling height
- High-intensity, recessed LED ceiling lights
- LED-lit, hardwood fascia
- Hardwood cabinet doors and drawers
- Ball-bearing drawer guides
- Jayco-exclusive, easy-operation legless dinette table
- 2-point lap safety belts in all designated seating locations

- (2) 11,000 BTU A/C units with power management system (15,000 BTU A/C unit with power management system on 26X)
- 30,000 BTU auto-ignition ducted furnace
- 6 gal. gas/electric DSI auto-ignition water heater
- Blu-Ray™ player in living area
- Prep for satellite dish
- Cable TV hookup with RG-6 coax and video selector switch
- Digital antenna with signal booster
- 8 cu. ft., flush-mount, double-door refrigerator
- Furrion® all-in-one cooktop and oven
- Residential-sized microwave
- Large stainless steel kitchen sink with cover
- LED-lit, pressed countertops
- Flip-up countertop extension (select models)
- Decorative kitchen backsplash
- Pop-up charging station in kitchen with 110 outlets and USB ports
- Water filtration system
- Shower with decorative surround, glass door, skylight and light
- Stainless steel bathroom sink
- Toilet with foot flush
- Powered roof vent in bathroom with wall switch
- Walk-around Queen-sized bed with bedspread and nightstands (King-sized in 27A)
- Under-bed storage (select models)
- Powered roof vent in bedroom with wall switch (26X)
- Large wardrobes
- Bunks with industry-exclusive 300 lb. capacity each (29F)
- Smoke alarm
- Carbon monoxide detector

## OPTIONS

- Drop-down overhead bunk in cab area with 750 lb. capacity
- Theater seating (N/A 29F)
- 12 cu. ft. gas/electric refrigerator (N/A 26X)
- Bedroom TV

# THE JAYCO DIFFERENCE



**2+3**  
YEAR YEAR  
WARRANTY



[Click here to learn more!](#)

## 1 Jayco 2+3 Warranty

A quality warranty represents huge value. Of course it saves you money in case there's a manufacturer defect, but it also represents a lot more. The longer and more complete the warranty a manufacturer offers, the more confidence they have in their work - the higher quality product and more value you'll be taking home.

Jayco's warranty is the best in the RV business. The two-year limited warranty is twice as long as the industry standard, keeping you covered for two full camping seasons. Add to that the three-year limited structural warranty and you've got the most complete coverage, coverage that provides a peace of mind.



[Click here to learn more!](#)

## 2 STRONGHOLD VBL™ laminated walls

Jayco's exclusive STRONGHOLD VBL (vacuum-bond lamination) wall construction process uses vacuum bonding to combine laminated fiberglass with welded aluminum framing, metal backers, decorative interior wall panels, and fiberglass exterior siding. This super-durable structure is designed specifically for heavy use and travel while still reducing weight. Simply put, Jayco's Stronghold VBL construction lessens the chance of delamination and stands up to the elements longer.



[Click here to watch video](#)

## 3 The JRide® ride and handling package

In a motorhome, the adventure does not begin and end at the campsite; the ride to and from camp is an important part of the journey, which is why comfort is a top priority at Jayco. Improving the journey is what inspired our exclusive JRide packages, which offer a powerful blend of precise handling and renowned stability. These important additions make your trip more comfortable without the need for expensive aftermarket upgrades.





#### 4 Safety belts in every designated seating location

Everyone would agree the most precious cargo is the loved ones you travel with. Jayco installs stress-tested seatbelts in every designated seating location to ensure the safety of your entire family. In a Jayco motorhome, you won't have to put anyone at risk due to limited safety belts.



#### 7 Third brake light and backup cameras

Backing up a motorhome is unlike backing up your everyday vehicle. It can be expensive, tricky and even impossible to retrofit some motorhomes with additional safety signals or rearview cameras. At Jayco, backup cameras and third brake lights are installed on each and every motorhome. These features allow you to navigate with ease, while helping deliver you to your camping destination safely.



#### 10 Solar hookups, LED lighting

It's not only environmentally friendly, but solar hookups reduce the cost and load of electrical use in your RV at camp. More and more motorhomes are equipped with solar hookups or prepped for easy installation. LED lights are another energy saving option many RVs offer. Both solar prep and LED lights will be found on all Jayco motorhomes.

**750-lbs.**  
Jayco's Overhead Bunk Capacity

**300-lbs.**  
Jayco's Standard Bunk Capacity



#### 5 Unbeatable bunk ratings

Overhead bunks are a great way to add extra sleeping space without impacting the layout of a motorhome. Unfortunately, customers in competing coaches often have to be very careful about who sleeps in the overhead bunk, or what gear is stored there, due to weight limits of 350-500 lbs.

Jayco has designed our overhead bunks to hold 750 lbs.- this is 250 lbs. more than any of our competitors. In a Jayco overhead bunk, two adults can comfortably rest and relax, or you can safely read a book to your kids at night.

Jayco's superior bunk capacities extend beyond the overhead bunks, with a capacity of 300 lbs. in each standard bunk, as well.



#### 8 Towing Capabilities

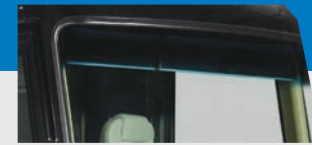
The ability to tow a small trailer or vehicle is one of the top perks of owning a motorhome. While this is an important feature, not all manufacturers are created equal regarding towing capacities.

Jayco engineers motorhomes with a tongue capacity at ten percent of the tow capacity, which is the optimal ratio. In turn, this allows the customers to tow more, without the need for a weight distribution hitch.



#### 11 Strong Roof

Not only is a strong roof important because it's key to the overall structural integrity of a unit, but also for maintenance purposes. The roof may need some TLC throughout the camping season. The ability to safely walk on the roof to perform some simple cleaning and sealant maintenance, is a huge perk for Jayco owners. Not to mention how it can endure a surprisingly heavy snowfall or falling tree limb.



#### 6 120" Windshield

An uninhibited view of the open road is a perk of a Class A motorhome. At Jayco, the largest windshield in the industry provides improved visibility during travel. In fact, Jayco uses the same windshield in our gas Class A product used in top-of-the-line diesel pushers. Oversized wiper blades keep the view clear, even in the rain.

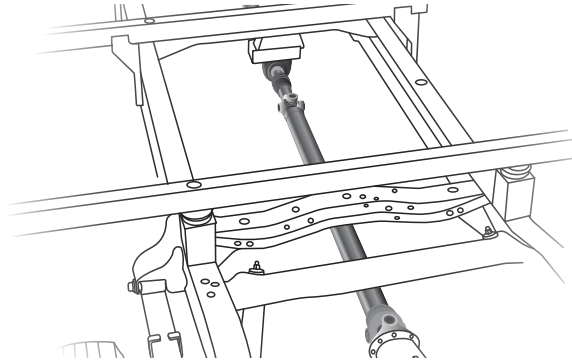


#### 9 Resale Value

Most RV owners will upgrade their rig at some point in their camping lifetime. The list of hidden value items discussed above improves the longevity of a Jayco, which increases resale value. Also, when establishing a trade-in value, motorhomes are valued by their base price only. Any optional equipment will not be included in this number. Jayco motorhomes come packed full of standard features, with very few items left to option in. By building desired options into the base price of the coach as standard features, rather than adding them as options, Jayco builds a higher resale value into their motorhomes. This leads to a better return on your hard-earned investment.

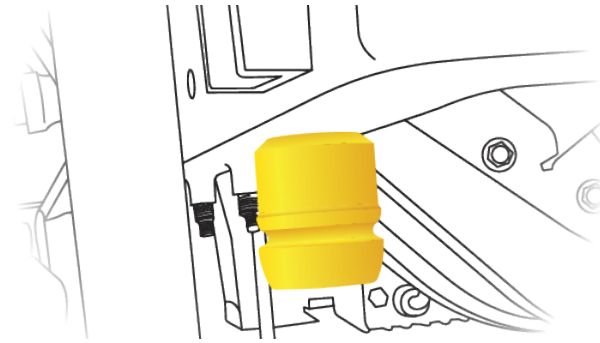
## WE GO TO GREAT LENGTHS TO BUILD BETTER RVs

You can count on our motorhomes - and our focus on family fun - to go the distance. So you can maximize every moment, no matter where the journey takes you. These are the extra steps we take to set our RVs apart.



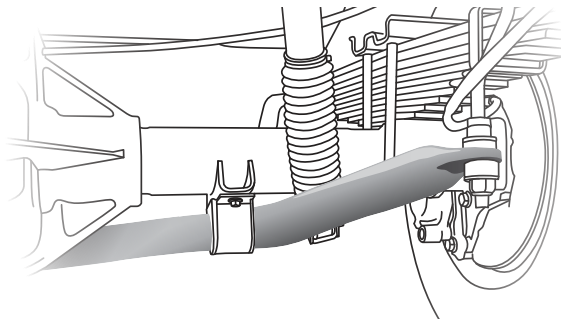
### COMPUTER-BALANCED DRIVESHAFT

Ensures smooth and efficient power transfer to the wheels



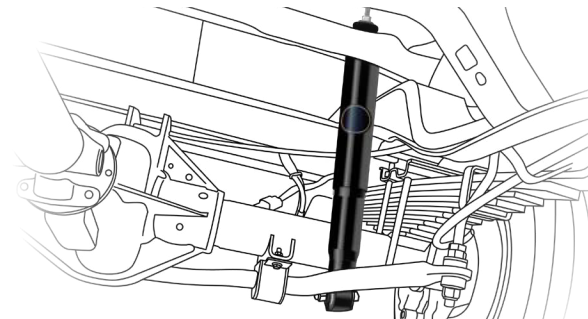
### JOUNCE BUMPERS

Assist during extreme road occurrences to absorb impact and dampen excess road noise



### HEAVY-DUTY FRONT & REAR STABILIZER BAR

A larger bar and polyurethane bushings, instead of rubber, transfer power faster for extra support, more stability and easier handling



### SACHS SHOCK ABSORBERS

Large-diameter tube design pairs gas and hydraulics to resist heat and pressure while independently adjusting to changing road conditions

# RIDE & HANDLING. DEFINED.

At Jayco, we believe the journey is just as important as the destination, which is why we engineered an industry-first Ride and Handling package - Jayco exclusive JRide®. Packed with ride-enhancing upgrades, get ready for a drive that'll move you.



# WHY YOUR LOCAL DEALER IS YOUR GREATEST ASSET



Before purchasing an RV of your own, you need to explore, touch and test drive one for yourself. From the sales experience to service after the sale, we consider our dealers to be an important part of the Jayco family. Establishing a strong relationship with your local Jayco dealer is a key factor in the enjoyment of your new unit for more than just the buying stage.



**Research:** The initial research that goes into choosing an RV can be overwhelming and with so many different options, how will you narrow it down? Having a local dealer who is knowledgeable and can answer all of the questions you will inevitably have as well as make helpful suggestions will make the buying experience a positive one. From towing weights and cargo capacity to living space and in-unit technology, your Jayco dealer will have all the information you need to make an informed decision and pick out the unit that fits your wants and needs.



**Sale:** Once you have decided which RV is right for you, signing the papers and picking up your new Jayco comes next; a huge step that should be an exciting and smooth process for you. The last thing you want when you're making this kind of commitment is to feel that you're being taken for a ride. It's comforting having someone behind you that ensures your needs are being met as the sale progresses. The luxury of your dealer walking you through each step will give you the peace of mind that all of your bases will be covered.



**Post-Sale:** After the sale, maintaining a strong relationship with your local dealer has tons of benefits that will come in handy. Most dealers offer after-sale service on your coach that will make it easier to get fixes or upgrades so you can spend less time waiting and more time exploring. Having them just a short drive from you is just an added bonus that will make your experience so convenient and enjoyable.

Colton RV  
3122 Niagara Falls Blvd.  
North Tonawanda, NY 14120  
(716) 694-0188  
[www.ColtonRV.com](http://www.ColtonRV.com)

Colton RV  
3443 Southwestern Blvd.  
Orchard Park, NY 14127  
(716) 957-3250  
[www.ColtonRV.com](http://www.ColtonRV.com)

Colton RV  
489 Bushkill Plaza LN #9665  
Wind Gap, PA 18091  
(610) 863-5239  
[www.ColtonRV.com](http://www.ColtonRV.com)

Whatever stage of RV ownership you find yourself in, your local Jayco dealer is your greatest advantage. Creating a lasting relationship with them will benefit you and your RVing experience for years to come. So go ahead, locate your nearest dealer and see what they can do for you!



[Click here to visit our dealer locator](#)