



# Highland

RIDGE RV

*Own the Outdoors*



# INTERIOR

## KITCHEN & LIVING ROOM



*3X377FLR Living Room*



*Optional Coffee Table Ottoman w/Storage*

## ELEGANT RESIDENTIAL COMFORTS

The wide open living space of the Open Range 3X is unrivaled among the industry. All floor plans have 7'0" slide-out heights and many of those offer opposing 42" deep slides giving 15' of interior width when opened. We use the 3X term to emphasize the 3 inch wall thickness with Thermal Barrier. This not only gives 50% to 100% more insulation than competitors but also prevents the aluminum studs from transferring heat or cold from the exterior to the interior of the coach. The Open Range 3X product line provides all the residential features of a luxury fifth wheel including stainless steel appliances, wood framed windows, stackable washer and dryer capability, arched ceiling, 7'0" slide-out height, and much more. Take a look at this revolutionary fifth wheel that is not only luxury, but also lighter weight, easier to tow, and at a very competitive price!



*Tri-Fold Sofa Bed*



*Dual-Leaf Extendable Table*



*Optional Lift-Top Coffee Table*



*3X379RLS Entertainment*



*Under Chair Storage*

*3X377FLR Kitchen*



*3X377FLR Pantry*

*Optional 23 Cu. Ft. Refrigerator with water/ice dispenser*

- » 3" Thick Sidewall with Thermal Barrier
- » Dual Pane Windows (*Optional*)
- » Newly Designed Front Cap with LED Lights
- » 7'0" Slide-Out Height

- » 6'4" x 32" Full View Vented Entrance Door with Remote Lock
- » Stainless Steel Appliances



*3X377FLR*

*3X427BHS Living Room*

# INTERIOR

BEDROOM & BATHROOM

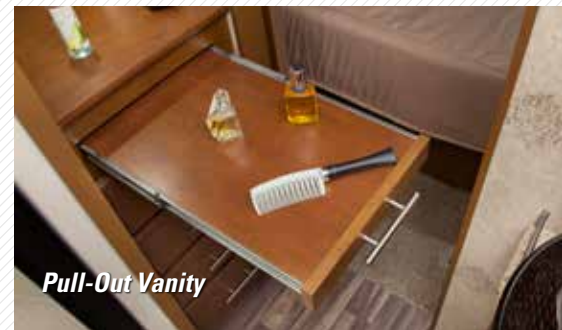


3X377FLR Bedroom



4 Deep Dresser Drawers

ENCOMPASSED  
WITH COMFORT AND  
RELAXATION



Pull-Out Vanity



# EXTERIOR FEATURES



*Optional Patio (Select Models)*



6 *3X427BHS Outside Kitchen*



*Latitude Armless Automatic Power Awning  
w/LED Awning Light & Flex Guard*



# CONVENIENCE AND STYLE ARE STANDARD



*4-Step Entry*



*JT Strong Arms*



*20# Propane Tanks on Slide-Trays (Door-Side)*



*Battery Disconnect in Pass-Thru Storage Area*



*Keyless Entry*

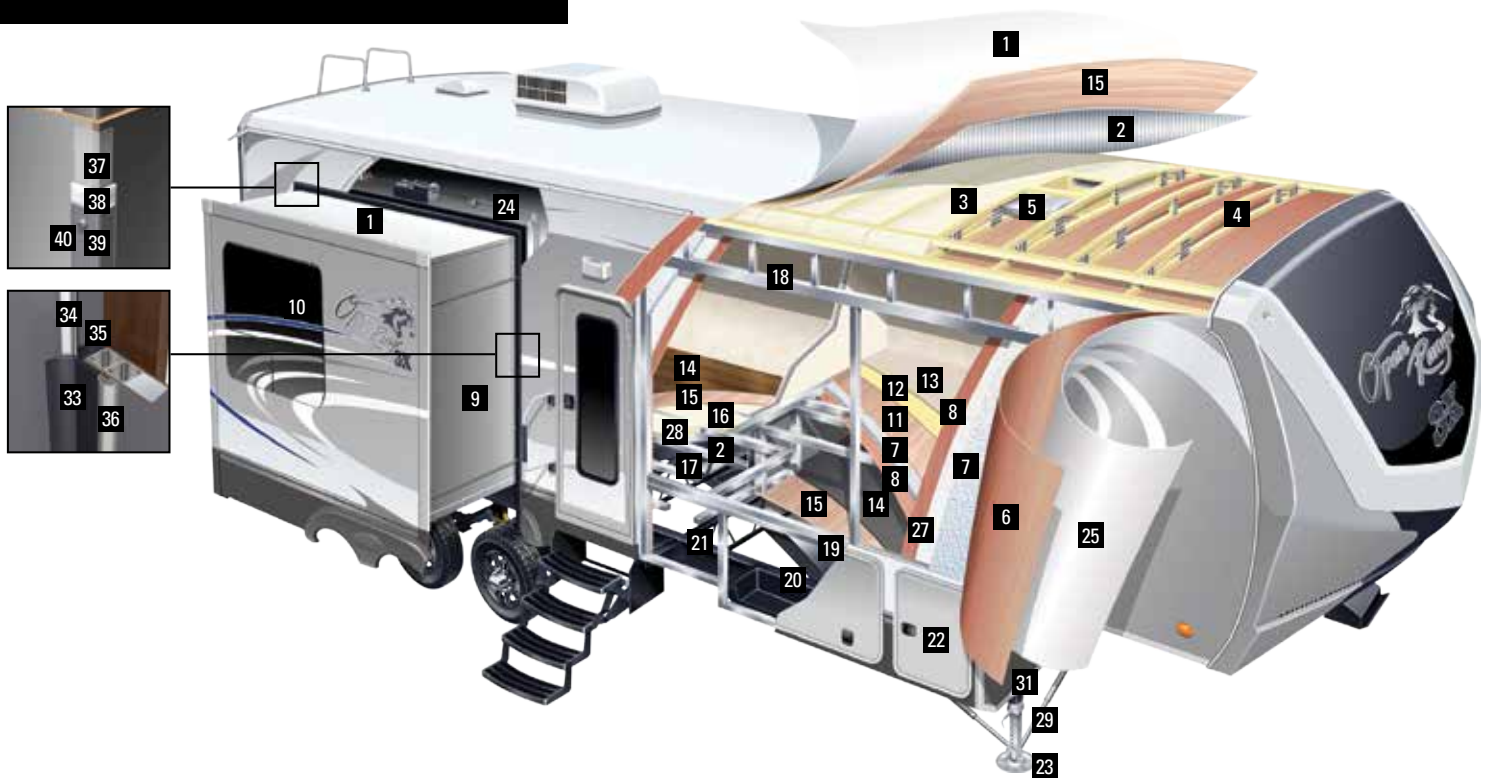


*Optional Bedroom TV Attached to Exterior Bracket*

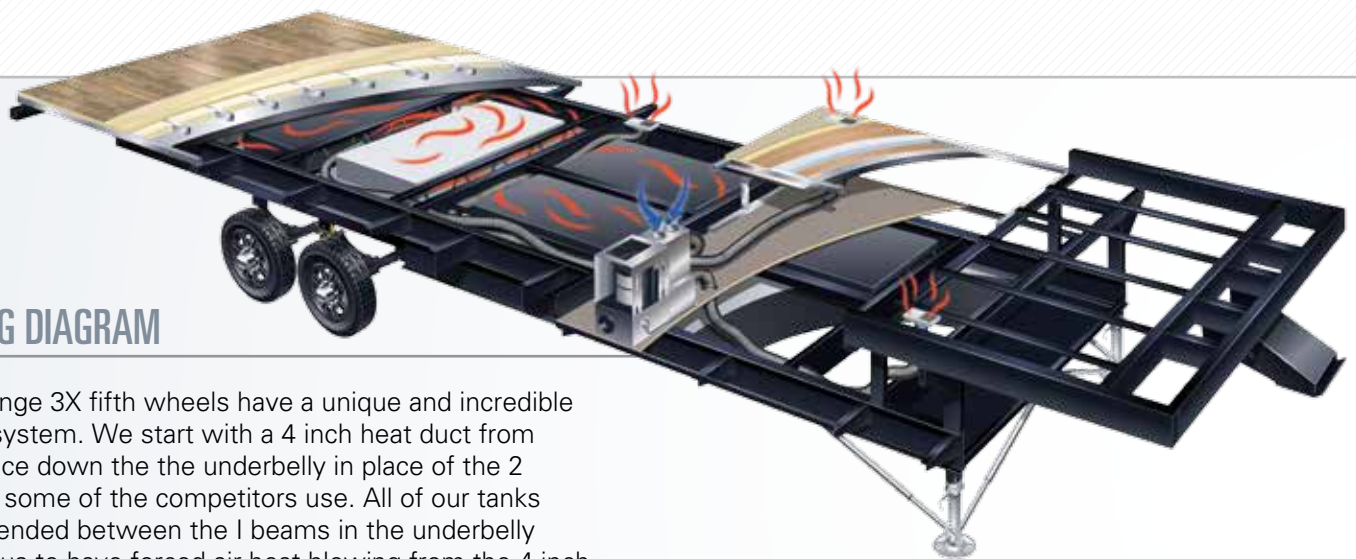


*Exterior Convenience Center*

# EXTERIOR CONSTRUCTION



- |  |   |   |  |
|--|---|---|--|
| 1. PVC Roof Material                   | 11. Double Layer Luan   | 20. Polypropylene Underbelly                      | 28. 12" On Center 2"x 2" Aluminum Floor Joists |
| 2. R-38 Radiant Technology Insulation  | 12. Residential Rebound Carpet Pad                              | 21. Steel I-Beam Frame                            | 29. JT Strong Arms                             |
| 3. R-14 Batten Insulation              | 13. Carpet  | 22. 1" Thick Double Insulated Baggage Doors       | 31. TPO Under Hitch Area                       |
| 4. 5" Roof Truss                       | 14. BeauFlor® Vinyl Flooring                                    | 23. 9" Elephant Pad                               | 33. Rubber Seal (Outside)                      |
| 5. Foam A/C Ducting                    | 15. Plywood Decking   | 24. Accu-Slide Slide-Out System                   | 34. Water Dam                                  |
| 6. Exterior Wall Substrate             | 16. R-7 Batten Insulation                                       | 25. Lamilux 4000 High Gloss Gel Coated Fiberglass | 35. Rubber Seal (Inside)                       |
| 7. R-9 Block Foam Insulation           | 17. "Darco" Anti-Puncture Material                              | 27. 3/4" Vapor Barrier (R-5)                      | 36. Bulb Seal                                  |
| 8. Luan                                | 18. 2" x 3" Aluminum Header                                     |   | 37. 3M Flashing Tape                           |
| 9. Laminated Slide-Out End Walls (R-9) | 19. R-38 Radiant Technology Insulation (Extreme Arctic Package) |   | 38. Butyl Tape                                 |
| 10. Frameless Windows                  |   |   |  |

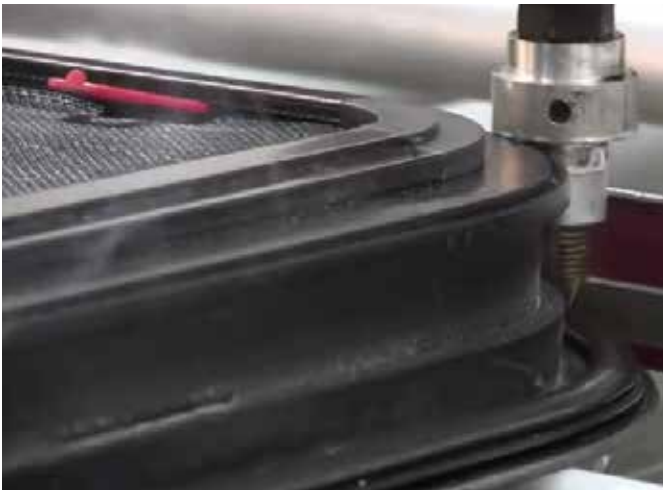


## HEATING DIAGRAM

Open Range 3X fifth wheels have a unique and incredible heating system. We start with a 4 inch heat duct from the furnace down the the underbelly in place of the 2 inch that some of the competitors use. All of our tanks are suspended between the I beams in the underbelly allowing us to have forced air heat blowing from the 4 inch heat duct surrounding the tanks with warm air flow.

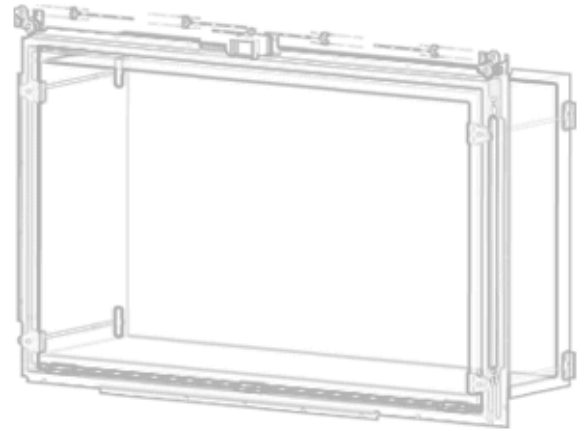
How do we get the air flow? Simply by having a return at the end of the tanks going back into the coach. The secret is that simple. We put a return in the underbelly to allow air flow over the tanks instead of a pressurizing system that occurs in other brands.





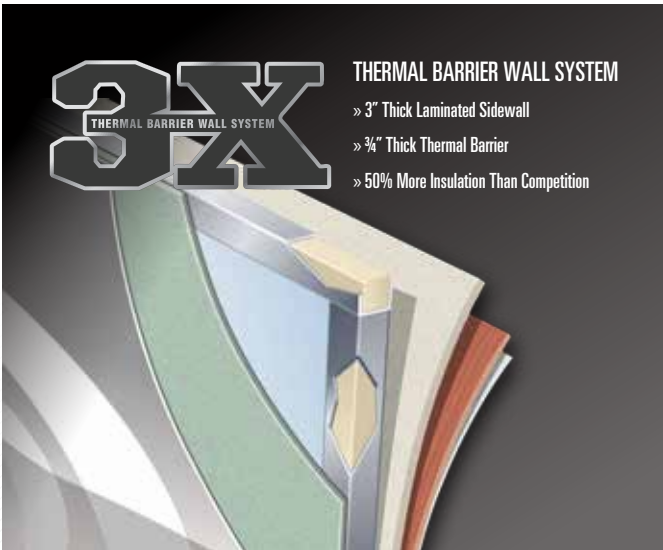
**Seal-Tite Water Shield**

Seal-Tite – a semi-robotic system that makes the placement of window sealants more precise and error-free – thus eliminating the hand application of such sealants which can often result in inconsistency.



**Accu-Slide**

So ingeniously designed and simple to use, you're likely to think it's magic. Accu-Slide is a revolutionary, lightweight, heavy-duty system that increases quality and customer appeal through superior performance and engineering.



**3X**  
THERMAL BARRIER WALL SYSTEM

**THERMAL BARRIER WALL SYSTEM**

- » 3" Thick Laminated Sidewall
- » ¾" Thick Thermal Barrier
- » 50% More Insulation Than Competition



*\*Optional*

**ZERO DEGREE TESTED**

The Open Range 3X was subjected to 0° F temperatures for an 8-hour period. During that time, sensors were placed throughout the coach to measure the unit's average temperature. When the test was complete, the temperature sensors found that the Four Seasons Package

**THE RESULTS**

BEDROOM .....	72°F
KITCHEN.....	70°F
SLIDE-OUT .....	66°F
BATHROOM .....	72°F
LIVING ROOM .....	70°F
WASTE WATER TANK .....	62°F
STORAGE UNDER RV .....	58°F

# FLOORPLANS

STD/OPT - DECORS - SPECS



**3X349RLS**

Ext. Length: **37'3"** Ext. Height: **157"** Unloaded Wt. (lbs.): **11,330** Sleeps: **4**



**3X388RKS**

Ext. Length: **39'11"** Ext. Height: **157"** Unloaded Wt. (lbs.): **12,280** Sleeps: **4**



**3X377FLR**

Ext. Length: **41'** Ext. Height: **157"** Unloaded Wt. (lbs.): **12,860** Sleeps: **6**



**3X397FBS**

Ext. Length: **42'6"** Ext. Height: **157"** Unloaded Wt. (lbs.): **12,800** Sleeps: **4**



**3X378RLS**

Ext. Length: **40'3"** Ext. Height: **157"** Unloaded Wt. (lbs.): **12,180** Sleeps: **4**



**3X427BHS**

Ext. Length: **41'10"** Ext. Height: **157"** Unloaded Wt. (lbs.): **13,340** Sleeps: **8**



**3X379RLS**

Ext. Length: **41'5"** Ext. Height: **157"** Unloaded Wt. (lbs.): **12,250** Sleeps: **4**

INNOVATIONMATCHED  
WITHSTYLEANDBEAUTY

## STANDARD FEATURES

- » (3) 20# LP Tanks
- » 102" Wide Body Frame
- » 16" Aluminum Wheels and Tires
- » 3X Thermal Barrier Sidewall
- » 50 Amp Service
- » 6'4" X 32" Full-View Vented Entrance Door
- » 7'0" Slide-Out Height
- » Arched Vaulted Ceiling
- » Ceiling Fan
- » Fantastic Fan in HALF Bathroom (397 Only)
- » Fireplace (N/A 427)
- » Heavy Duty Full Extension Drawer Guides
- » Lippert Equa-Flex Suspension
- » Lippert Wide-Stance Axles
- » Newly Designed Front Cap w/LED Lights
- » Nitrogen Filled Radial Tires
- » Prepped for Observation Camera
- » Prepped for Portable Solar Panels
- » Pull-Out Wastebasket
- » PVC Roof Material
- » Removable Rear Ladder
- » Residential Window Frames w/MCD® Roller Shades
- » Stainless Steel Convection Microwave
- » Stainless Steel Sink w/High-Rise Stainless Steel Faucet
- » Stainless Steel Stove
- » Washer/Dryer Prep
- » Wired and Framed for 2nd A/C

### FOUR SEASONS PACKAGE

- » Atwood® High Performance Furnace
- » Digital Thermostat
- » Double Insulated Baggage Doors
- » Extreme Arctic Package
- » Heated & Enclosed Dump Valves
- » Heated and Enclosed Underbelly
- » Heated Storage Area
- » Insulated Slide Floors
- » R-14 Insulation in Sidewall
- » R-38 Insulation in Roof & Floor

## OPTIONAL FEATURES

- » 24" Bedroom TV
- » 2nd A/C (13.5k BTU Ducted)
- » 3rd A/C (13.5k BTU Ducted) (427)
- » Dyson Vacuum Cleaner
- » Fantastic Fan(s)
- » 12 cu ft Refrigerator
- » 23 cu ft Residential Refrigerator
- » 2 Bar Stools
- » 2 Extra Folding Dinette Chairs
- » Corian® Island on Castors
- » Fireplace (Forced)
- » Lift Top Coffee Table
- » Coffee Table Ottoman w/Storage
- » U-Lounge w/Recliner Ends (388,427)
- » Bike Receiver
- » Dual Pane Windows
- » LP Generator Prep
- » Observation Camera
- » Onan® 5500 LP Generator
- » Patio Deck - 10' (349)
- » Patio Deck - 13' (388,397)
- » Patio Rail Storage Box
- » Slide-Out Awning Covers
- » TrailAir® Air Ride Pin Box

## MANDATORY PACKAGES

### EXECUTIVE PACKAGE

- » 12V CD/DVD Player w/Bluetooth®
- » 15k BTU A/C w/"Quick Cool" Feature
- » 20 GPH Quick Recovery Gas/Electric Water Heater
- » 6-Person Extendable Table (Dual Leaf)
- » Bedroom Speakers
- » Concealed Hinges
- » Corian® Countertops
- » Digital TV Antenna w/Booster
- » Dovetail Drawer Construction
- » Fantastic Fan in Kitchen
- » Flat Screen TV in Living Area
- » Flush Mount Corian® Stove Cover
- » JT Strong Arm Stabilizer Bars
- » Latitude Armless Automatic Power Awning w/LED Awning Light & Flex Guard
- » Metal Slam Latch Baggage Doors
- » Multi-Port Satellite Hook-Up
- » One-Piece Fiberglass Shower
- » Raised Panel Cabinet Doors
- » Residential Style 22" Oven
- » Soundbar in Living Area
- » Upgraded Automatic Leveling System
- » USB/12V Charging Port
- » Western Aspen Cabinet Doors
- » Wired and Framed for 2nd A/C
- » Wood Framed Sliding Wardrobe Doors

## DÉCOR OPTIONS



CHOCOLATE



SEDONNA



STONE

## SPECIFICATIONS

	3X349RLS	3X377FLR	3X378RLS	3X379RLS	3X388RKS	3X397FBS	3X427BHS
<b>Square Feet</b>	392	429	427	420	420	428	430
<b>UVW</b>	11330	12860	12180	12250	12280	12800	13340
<b>Hitch Wt.</b>	2170	2995	2310	2300	2500	2470	2300
<b>Length</b>	37'3"	41'	40'3"	41'5"	39'11"	42'6"	41'10"
<b>Cargo (Gross)</b>	2970	4135	3810	4120	4170	3670	2960
<b>Cargo (Net)</b>	2204	3369	3044	3354	3384	2904	2174
<b>Fresh Water</b>	85 Gal.	85 Gal.	85 Gal.	85 Gal.	85 Gal.	85 Gal.	85 Gal.
<b>Gray Water</b>	57 Gal.	123 Gal.	57 Gal.	98 Gal.	82 Gal.	82 Gal.	82 Gal.
<b>Waste Water</b>	41 Gal.	41 Gal.	41 Gal.	41 Gal.	41 Gal.	82 Gal.	82 Gal.
<b>Sleep Cap.</b>	4	6	4	4	4	4	8

# EXPLORE OUR OPEN RANGE PRODUCTS ONLINE WITH FEATURES INCLUDING:

- » "Build Your Own"
- » Photo Galleries
- » Virtual 360° Tours
- » Detailed Floorplans & Specs
- » Frequently Asked Questions
- » Dealer Locator
- » Floorplan Galleries
- » Customer Testimonials
- » And Much More



[www.HighlandRidgeRV.com](http://www.HighlandRidgeRV.com)

## 1-YEAR FREE ROADSIDE ASSISTANCE

Travel worry-free with the Highland Ridge RV Roadside Assistance program, yours at no cost during your first year of ownership. This program is offered through Coach-Net, the country's largest RV emergency road service, and gives you immediate access to assistance.



## GET SOCIAL

Receive updates on the latest happenings and innovations at Highland Ridge RV.



## PURCHASE LOCALLY

Highland Ridge RV strongly encourages our retail customers to purchase from their local dealership whenever possible due to the following reasons:

- 1) Our Dealers are, as a rule, independently owned and operated businesses. Outside of those customers they personally sold products to, they are not obligated to perform warranty service on Highland Ridge RV products that were purchased elsewhere. There may be an occasion that the customer will be required to return to the point of purchase to satisfy warranty requirements.
- 2) Although many dealerships will service products not purchased at their dealership, they will usually take care of their customers and other Highland Ridge RV customers who are traveling away from their local dealer as a priority.
- 3) Local purchases allow a customer to establish a relationship with a dealer close to home. This relationship provides the customer with a convenient location for service and support from a "local" professional.
- 4) The opportunity for a thorough PDI (Pre Delivery Inspection) and product orientation is an additional benefit of buying from a local dealer. The opportunity for refresher courses or the ability to get questions answered more promptly is another additional benefit of buying from a local dealer.
- 5) For our Canadian customers, there are also requirements which must be met to bring an RV purchased out of the country to their home. Although not impossible, these requirements may involve such things as additional inspections, certifications, taxes and fees. The local Canadian Dealer is a professional at meeting these requirements.
- 6) Highland Ridge's goal is for all RV owners to fully enjoy their RV experience. In light of this goal, and considering the advantages of buying locally, we encourage you to be thorough when determining what product to purchase and which dealer to purchase it from as both are key to your ultimate satisfaction.



At Highland Ridge RV, Inc., we are one of the few manufacturers that have a 2-Year Limited Transferable Warranty. Ensuring our customers that we will stand behind our product for twice the amount of time that other manufacturers offer.

## MORE ROOM LESS WEIGHT

This is our mission at Highland Ridge RV, Inc. It's the life blood that runs in our veins. It drives us to innovate and revolutionize the RV industry and it's why our products are 10 - 15% lighter than the competition.

Your Open Range 3X Dealer:



**Highland**  
RIDGE RV

Own the Outdoors

For more information visit us at:  
[www.HighlandRidgeRV.com](http://www.HighlandRidgeRV.com)

