



MORE THAN A TRAILER
EFFICIENT • STRONG • INNOVATIVE



EQUIPMENT HAULER

A MULTIPURPOSE AND
VERSATILE TRAILER!

DURABILITY

This equipment hauler is made of galvanized steel and therefore has a heavy-duty structure. It will follow you wherever you go withstand the wear of time.

PERFORMANCE

This is multipurpose and versatile trailer has a durable and solid frame with a wide choice of ramps, here is another innovative trailer signed Maxi-Roule.

CUSTOMIZABLE

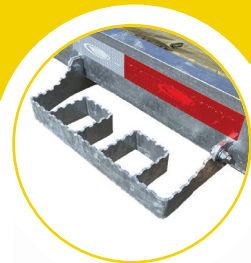
Customize the trailer to your liking, select a model by its loading capacity, length and ramp models that suits your needs.



TOLL FREE 1-800-967-1855
4618 boulevard Saint-Joseph
Saint-Nicéphore, QC | J2A 3V5

WWW.MAXIROULE.CA
info@maxiroule.ca

EQUIPEMENT HAULER



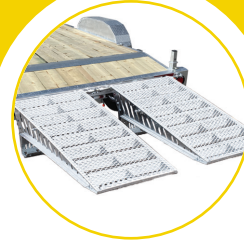
STEPS



RAMPS 50" x 18"
Integrated



RAMPS 60" x 19"
With adjustable heel



RAMPS 60" x 32"
With adjustable heel



REDESIGNED FENDERS
Heavy-Duty Steel checkerplated



MODEL EH8120-TA5-RU6032

REAR VIEW



Strong, efficient, and durable, this trailer is designed beyond the most rigorous standards of the North American market. Equipped with a modern heavy-duty structure and double axles varying from TA2 to TA6, this equipment hauler is designed to answer your needs.

NEW LOOK

The new young and strong look, straight from our drawing boards helps to offer you a trailer with a sturdy and durable design that will last over time.



LOCKING SYSTEM

for external ramps

An innovative lock integrated to the trailer allows you to securely lock your ramps (60" x 19" or 60" x 32") during your travels



INTEGRATED RAMPS

These integrated ramps (50" x 18") are inserted into the trailer structure and secured using a heavy-duty spring lock allowing you to maximize the space available on the platform.



EQUIPEMENT HAULER

INTEGRATED RAMPS 50" x 18"



INTEGRATED RAMPS



MODEL	OVERALL LENGTH	OVERALL WIDTH	P.N.B.V. (LB)	AXLES	TUBELESS TIRES	RAMPS
EH8114-TA2-R5018	232	99	6 996	2 x 3 500 LB	4 x ST205/75 R15 LRC	50" x 18"
EH8116-TA2-R5018	256	99	6 996	2 x 3 500 LB	4 x ST205/75 R15 LRC	50" x 18"
EH8118-TA2-R5018	280	99	6 996	2 x 3 500 LB	4 x ST205/75 R15 LRC	50" x 18"
EH8120-TA2-R5018	304	99	6 996	2 x 3 500 LB	4 x ST205/75 R15 LRC	50" x 18"
EH8114-TA3-R5018	232	99	9 790	2 x 5 200 LB	4 x ST225/75 R15 LRD	50" x 18"
EH8116-TA3-R5018	256	99	9 790	2 x 5 200 LB	4 x ST225/75 R15 LRD	50" x 18"
EH8118-TA3-R5018	280	99	9 790	2 x 5 200 LB	4 x ST225/75 R15 LRD	50" x 18"
EH8120-TA3-R5018	304	99	9 790	2 x 5 200 LB	4 x ST225/75 R15 LRD	50" x 18"
EH8114-TA5-R5018	232	102	13 999	2 x 7 000 LB	4 x ST235/80 R16 LRE	50" x 18"
EH8116-TA5-R5018	256	102	13 999	2 x 7 000 LB	4 x ST235/80 R16 LRE	50" x 18"
EH8118-TA5-R5018	280	102	13 999	2 x 7 000 LB	4 x ST235/80 R16 LRE	50" x 18"
EH8120-TA5-R5018	304	102	13 999	2 x 7 000 LB	4 x ST235/80 R16 LRE	50" x 18"
EH8114-TA6-R5018	232	101	16 000	2 x 8 000 LB	4 x ST215/75 R17.5 LRH	50" x 18"
EH8116-TA6-R5018	256	101	16 000	2 x 8 000 LB	4 x ST215/75 R17.5 LRH	50" x 18"
EH8118-TA6-R5018	280	101	16 000	2 x 8 000 LB	4 x ST215/75 R17.5 LRH	50" x 18"
EH8120-TA6-R5018	304	101	16 000	2 x 8 000 LB	4 x ST215/75 R17.5 LRH	50" x 18"
MRP-RU5018*	Universal replacement ramp 50" x 18"					

* Works on both sides

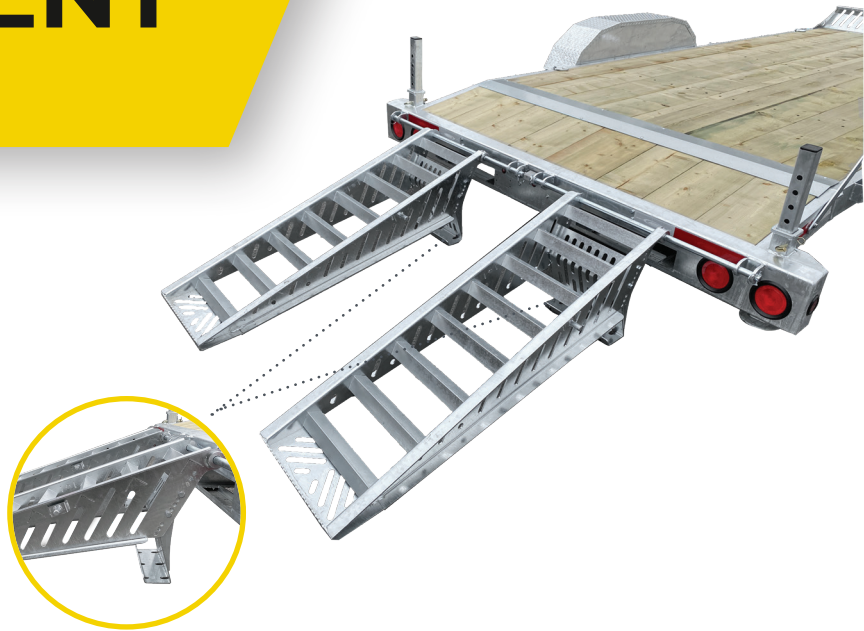


TOLL FREE 1-800-967-1855
4618 boulevard Saint-Joseph
Saint-Nicéphore, QC | J2A 3V5

WWW.MAXIROULE.CA
info@maxiroule.ca

EQUIPEMENT HAULER

SELF-SUPPORTING RAMPS 60" x 19"



**REINFORCED RAMPS
WITH ADJUSTABLE HEEL**

MODEL	OVERALL LENGTH	OVERALL WIDTH	P.N.B.V. (LB)	AXLES	TUBELESS TIRES	RAMPS
EH8114-TA2-R6019	232	99	6 996	2 x 3 500 LB	4 x ST205/75 R15 LRC	60" x 19"
EH8116-TA2-R6019	256	99	6 996	2 x 3 500 LB	4 x ST205/75 R15 LRC	60" x 19"
EH8118-TA2-R6019	280	99	6 996	2 x 3 500 LB	4 x ST205/75 R15 LRC	60" x 19"
EH8120-TA2-R6019	304	99	6 996	2 x 3 500 LB	4 x ST205/75 R15 LRC	60" x 19"
EH8114-TA3-R6019	232	99	9 790	2 x 5 200LB	4 x ST225/75 R15 LRD	60" x 19"
EH8116-TA3-R6019	256	99	9 790	2 x 5 200 LB	4 x ST225/75 R15 LRD	60" x 19"
EH8118-TA3-R6019	280	99	9 790	2 x 5 200 LB	4 x ST225/75 R15 LRD	60" x 19"
EH8120-TA3-R6019	304	99	9 790	2 x 5 200LB	4 x ST225/75 R15 LRD	60" x 19"
EH8114-TA5-R6019	232	102	9 790	2 x 7 000LB	4 x ST235/80 R16 LRE	60" x 19"
EH8116-TA5-R6019	256	102	13 999	2 x 7 000 LB	4 x ST235/80 R16 LRE	60" x 19"
EH8118-TA5-R6019	280	102	13 999	2 x 7 000 LB	4 x ST235/80 R16 LRE	60" x 19"
EH8120-TA5-R6019	304	102	13 999	2 x 7 000LB	4 x ST235/80 R16 LRE	60" x 19"
EH8114-TA6-R6019	232	101	16 000	2 x 8 000 LB	4 x ST215/75 R17.5 LRH	60" x 19"
EH8116-TA6-R6019	256	101	16 000	2 x 8 000 LB	4 x ST215/75 R17.5 LRH	60" x 19"
EH8118-TA6-R6019	280	101	16 000	2 x 8 000 LB	4 x ST215/75 R17.5 LRH	60" x 19"
EH8120-TA6-R6019	304	101	16 000	2 x 8 000 LB	4 x ST215/75 R17.5 LRH	60" x 19"
MRP-RU6019*	Universal replacement ramp 60" x 19"					

* Works on both sides

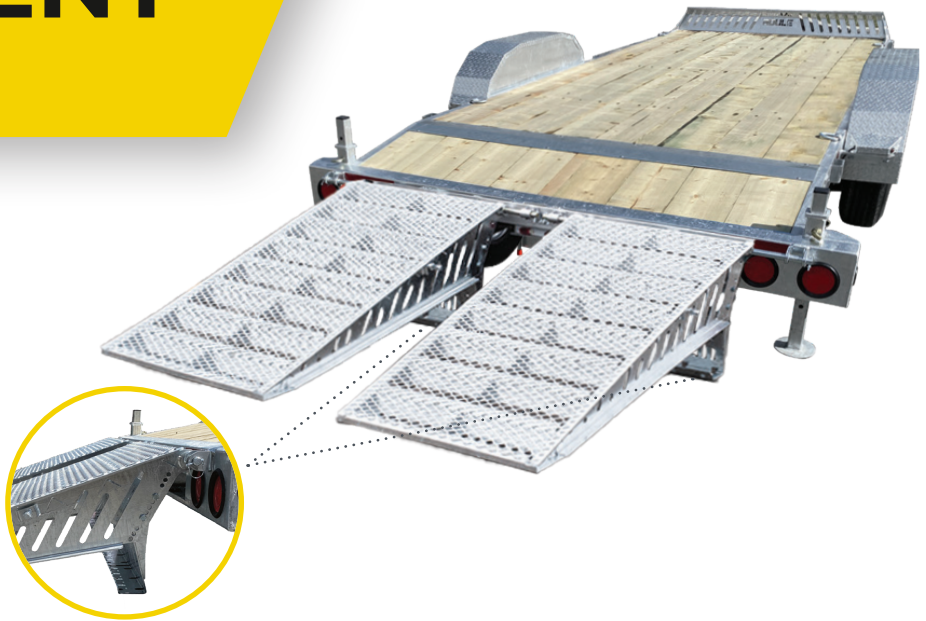


TOLL FREE 1-800-967-1855
4618 boulevard Saint-Joseph
Saint-Nicéphore, QC | J2A 3V5

WWW.MAXIROULE.CA
info@maxiroule.ca

EQUIPEMENT HAULER

SELF-SUPPORTING RAMPS 60" x 32"



**REINFORCED RAMPS
WITH ADJUSTABLE HEEL**

MODEL	OVERALL LENGTH	OVERALL WIDTH	P.N.B.V. (LB)	AXLES	TUBELESS TIRES	RAMPS
EH8114-TA2-R6032	232	99	6 996	2 x 3 500 LB	4 x ST205/75 R15 LRC	60" x 32"
EH8116-TA2-R6032	256	99	6 996	2 x 3 500 LB	4 x ST205/75 R15 LRC	60" x 32"
EH8118-TA2-R6032	280	99	6 996	2 x 3 500 LB	4 x ST205/75 R15 LRC	60" x 32"
EH8120-TA2-R6032	304	99	6 996	2 x 3 500 LB	4 x ST205/75 R15 LRC	60" x 32"
EH8114-TA3-R6032	232	99	9 790	2 x 5 200 LB	4 x ST225/75 R15 LRD	60" x 32"
EH8116-TA3-R6032	256	99	9 790	2 x 5 200 LB	4 x ST225/75 R15 LRD	60" x 32"
EH8118-TA3-R6032	280	99	9 790	2 x 5 200 LB	4 x ST225/75 R15 LRD	60" x 32"
EH8120-TA3-R6032	304	99	9 790	2 x 5 200 LB	4 x ST225/75 R15 LRD	60" x 32"
EH8114-TA5-R6032	232	99	13 999	2 x 7 000 LB	4 x ST235/80 R16 LRE	60" x 32"
EH8116-TA5-R6032	256	102	13 999	2 x 7 000 LB	4 x ST235/80 R16 LRE	60" x 32"
EH8118-TA5-R6032	280	102	13 999	2 x 7 000 LB	4 x ST235/80 R16 LRE	60" x 32"
EH8120-TA5-R6032	304	102	13 999	2 x 7 000 LB	4 x ST235/80 R16 LRE	60" x 32"
EH8114-TA6-R6032	232	101	16 000	2 x 8 000 LB	4 x ST215/75 R17.5 LRH	60" x 32"
EH8116-TA6-R6032	256	101	16 000	2 x 8 000 LB	4 x ST215/75 R17.5 LRH	60" x 32"
EH8118-TA6-R6032	280	101	16 000	2 x 8 000 LB	4 x ST215/75 R17.5 LRH	60" x 32"
EH8120-TA6-R6032	304	101	16 000	2 x 8 000 LB	4 x ST215/75 R17.5 LRH	60" x 32"

MRP-RU6032* Universal replacement ramp 60" x 32"

* Works on both sides



TOLL FREE 1-800-967-1855
4618 boulevard Saint-Joseph
Saint-Nicéphore, QC | J2A 3V5

WWW.MAXIROULE.CA
info@maxiroule.ca